



Profit from the Eagle Advantage®

Specification Sheet

Short Form Specifications

Eagle Sloped Mobile Ice Caddy, model _____.
Top and body are heavy gauge stainless steel. Ice storage bin is type 304 stainless steel, fully insulated, isolated from exterior with thermoplastic plastic breaker strips, 19" front-to-back and 17" deep, with pan sloped to a 1" NPS drain connection with ball valve, hinged lift-off cover and 5"-diameter casters—two with brakes.

Item No.:	_____
Project No.:	_____
S.I.S. No.:	_____

Sloped Mobile Ice Caddies

MODELS:

- SLMIC1824
- SLMIC2424
- SLMIC3024



#SLMIC2424

Design and Construction Features

- Stainless steel construction
- Pan sloped to 1" (25mm) NPS drain with ball valve
- Foamed-in-place insulated ice bin, isolated from exterior with thermoplastic plastic breaker strips
- Lift-off sliding cover
- 5" (127mm) casters – two with brake
- #SLMIC1824 is 18" x 24" x 31⁵/₁₆" (457 x 610 x 795mm)
- #SLMIC2424 is 24" x 24" x 31⁵/₁₆" (610 x 610 x 795mm)
- #SLMIC3024 is 30" x 24" x 31⁵/₁₆" (762 x 610 x 795mm)

EAGLE GROUP
 100 Industrial Boulevard, Clayton, DE 19938-8903 USA
 Phone: 302-653-3000 • 800-441-8440 • Fax: 302-653-2065
 www.eaglegrp.com
 www.eaglehmc.com

For custom configuration or fabrication needs, contact our **SpecFAB® Division**.
 Phone: 302-653-3000 • Fax: 302-653-2065 • e-mail: quotes@eaglegrp.com

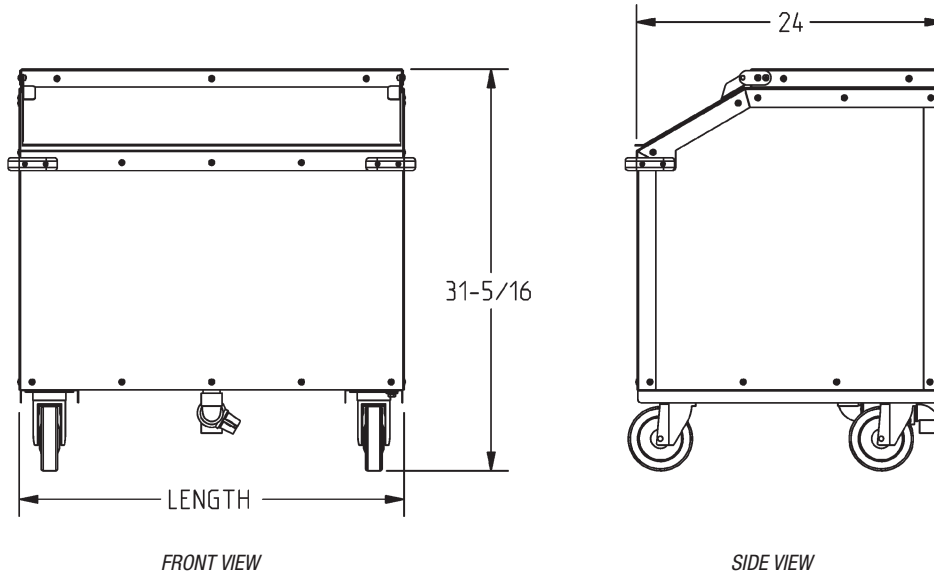


Spec sheets available for viewing, printing or downloading from our online literature library at our websites



Item No.: _____
 Project No.: _____
 S.I.S. No.: _____

Sloped Mobile Ice Caddies



model #	width		length		weight		ice capacity	
	in.	mm	in.	mm	lbs.	kg	lbs.	kg
SLMIC1824	24"	610	18"	458	175	79.4	98.6	44.8
SLMIC2424	24"	610	24"	610	190	86.2	131.6	59.7
SLMIC3024	24"	610	30"	762	205	93.0	164.5	74.6

EAGLE GROUP
 100 Industrial Boulevard, Clayton, DE 19938-8903 USA
 Phone: 302-653-3000 or 800-441-8440 • Fax: 302-653-2065
 www.eaglegrp.com • www.eaglehmc.com

Printed in U.S.A.
 ©2026 by Eagle Group
 Rev. 03/26

Spec sheets available for viewing, printing or downloading from our online literature library at our websites

Although every attempt has been made to ensure the accuracy of the information provided, we cannot be held responsible for typographical or printing errors. Information and specifications are subject to change without notice. Please confirm at time of order.