



Profit from the Eagle Advantage®

Phone: (800) 441-8440 • (302) 653-3000

FAX: (302) 653-2065

Product Announcement

Short Form Specifications

Eagle Mobile Ice Caddy, model _____. Top and body are heavy gauge stainless steel. Ice storage bin is type 304 stainless steel, fully insulated, isolated from exterior with thermoplastic plastic breaker strips, 19" front-to-back and 18" deep, with pan sloped to a 1" NPS drain connection with ball valve, lift-off sliding cover and 5"-diameter casters—two with brakes.

Item #:	_____
Model #:	_____
Project #:	_____
SIS #:	_____

EG8207 Rev. 03/26

Design and Construction Features

- Stainless steel construction
- 1" (25mm) drain with ball valve
- Foamed in place insulated ice bin
- Lift-off sliding cover
- 5" (127mm) casters – two with brake
- #MIC1425 ice bin is 10" x 19" x 18" (254 x 483 x 457mm)
- #MIC2825 ice bin is 24" x 19" x 18" (610 x 483 x 457mm)

Options

- Push handle
- Insulated cover

Mobile Ice Caddies



#MIC1425

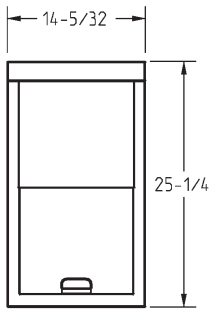
Ideal for any place which serves ice cold beverages, from restaurants and bars to indoor and outdoor venues in which portability is a must, Eagle's NEW Mobile Ice Caddies will meet your needs! Stainless steel construction is durable as well as attractive. The 29" height allows for these caddies to easily fit underneath a standard-height bar or countertop. Hefty 5" casters, two with brake, allow for easy mobility. Insulated high-capacity ice bin will keep your drinks on ice for hours. Bottom pan slopes to a 1" NPS drain with ball valve.

For custom configuration or fabrication needs, contact our **SpecFAB® Division**.
Phone: (302) 653-3000. FAX: (302) 653-2065.
E-mail: quotes@eaglegrp.com

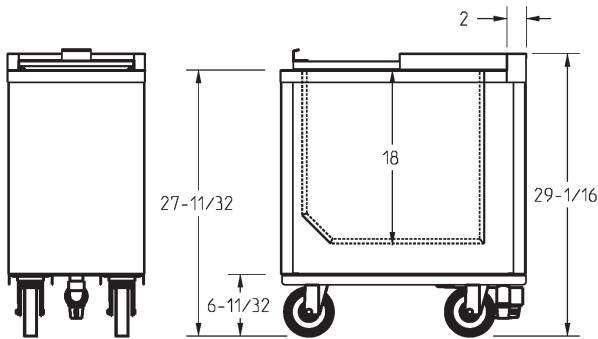


Mobile Ice Caddies

#MIC1425



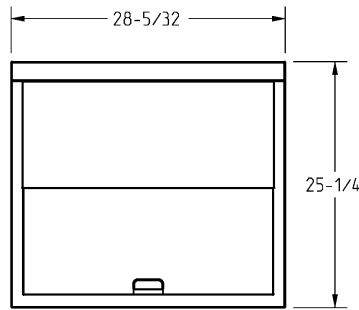
TOP VIEW



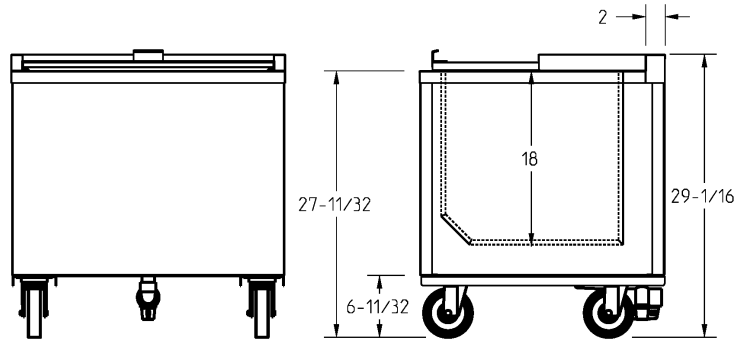
FRONT VIEW

SIDE VIEW

#MIC2825



TOP VIEW



FRONT VIEW

SIDE VIEW

model #	width		length		weight		ice capacity	
	in.	mm	in.	mm	lbs.	kg	lbs.	kg
MIC1425	25¼"	641	14¼"	362	180	81.7	50	22.7
MIC2825	25¼"	641	28¼"	718	215	97.5	120	54.4