



Profit from the Eagle Advantage®

# Specification Sheet

## Short Form Specifications

Eagle Spec-Master® Grab-N-Go Buffet Unit, model \_\_\_\_\_ . Stainless steel open base cabinet with 6"-deep insulated pan, 5" plate casters (two with brake), 1" drain with valve. Available with single- or double-sided buffet shields. Includes POS end shelf and push handle. Optional tray slides available.



#INS-4OB-M-BS2  
(shown with optional #TS-DB-HT4 tray slides)

Item No.: \_\_\_\_\_  
Project No.: \_\_\_\_\_  
S.I.S. No.: \_\_\_\_\_

## Spec-Master® Grab-N-Go Buffet Units

### MODELS:

- INS-2OB-M-BS1
- INS-3OB-M-BS1
- INS-4OB-M-BS1
- INS-5OB-M-BS1
- INS-6OB-M-BS1
- INS-2OB-M-BS2
- INS-3OB-M-BS2
- INS-4OB-M-BS2
- INS-5OB-M-BS2
- INS-6OB-M-BS2

### Design and Construction Features

- Stainless steel open base body
- 6" (152mm) deep insulated food pan
- 5" (127mm) casters, two with brake
- Push handle
- POS shelf with drop brackets

### Options / Accessories

- Tray slide - see EG30.20A

### EAGLE GROUP

100 Industrial Boulevard, Clayton, DE 19938-8903 USA  
Phone: 302-653-3000 • 800-441-8440 • Fax: 302-653-2065  
www.eaglegrp.com  
www.eaglemhc.com

For custom configuration or fabrication needs, contact our SpecFAB® Division.  
Phone: 302-653-3000 • Fax: 302-653-2065 • e-mail: quotes@eaglegrp.com



EG33.28C Rev. 02/25

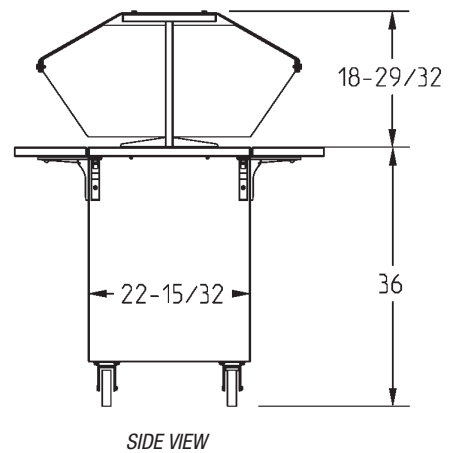
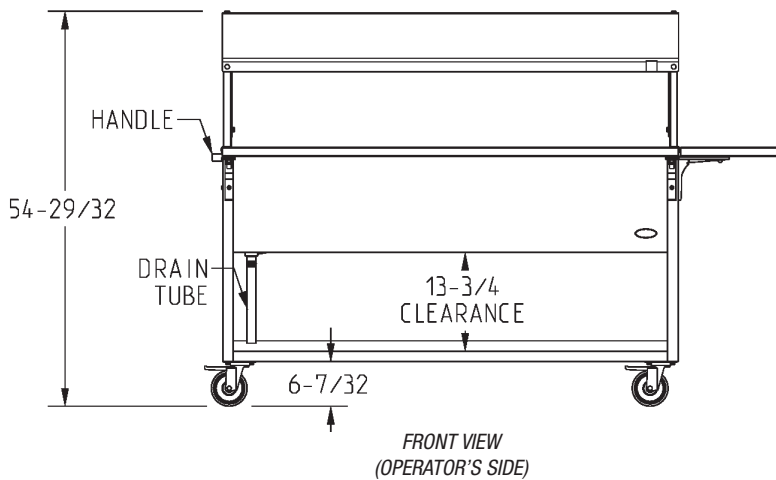
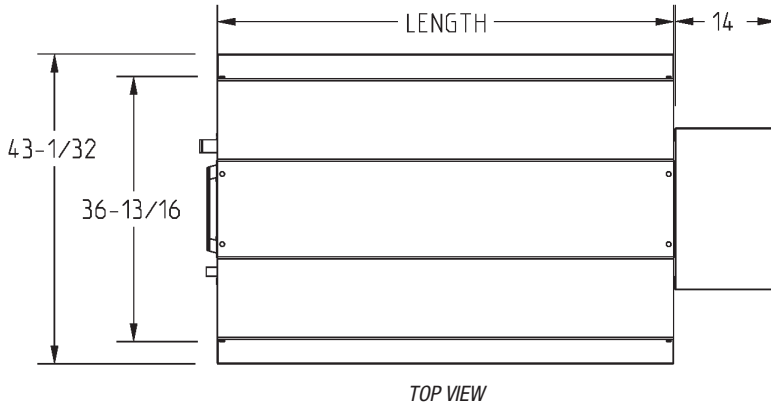
Spec sheets available for viewing, printing or downloading from our online literature library at our websites

Eagle Foodservice Equipment, Eagle MHC, and SpecFAB® are divisions of Eagle Group. ©2025 by the Eagle Group



Item No.: \_\_\_\_\_  
 Project No.: \_\_\_\_\_  
 S.I.S. No.: \_\_\_\_\_

# Spec-Master® Grab-N-Go Buffet Units



# of openings	length*		Single-Sided	Double-Sided
	in.	mm	model #	model #
2	33"	914	INS-2OB-M-BS1	INS-2OB-M-BS2
3	48"	1270	INS-3OB-M-BS1	INS-3OB-M-BS2
4	63 <sup>1</sup> / <sub>2</sub> "	1626	INS-4OB-M-BS1	INS-4OB-M-BS2
5	78"	1981	INS-5OB-M-BS1	INS-5OB-M-BS2
6	96"	2438	INS-6OB-M-BS1	INS-6OB-M-BS2

\* Length excludes POS end shelf.

**EAGLE GROUP**  
 100 Industrial Boulevard, Clayton, DE 19938-8903 USA  
 Phone: 302-653-3000 or 800-441-8440 • Fax: 302-653-2065  
 www.eaglegrp.com • www.eaglehmc.com

Printed in U.S.A.  
 ©2025 by Eagle Group

Rev. 02/25

Spec sheets available for viewing, printing or downloading from our online literature library at our websites

Although every attempt has been made to ensure the accuracy of the information provided, we cannot be held responsible for typographical or printing errors. Information and specifications are subject to change without notice. Please confirm at time of order.