



Profit from the Eagle Advantage®

# Specification Sheet

## Short Form Specifications

Eagle Flush Floor Mop Sinks, model \_\_\_\_\_. Heavy gauge 304 stainless steel all-welded construction. Drain pan has built-in pitch towards drain, accommodates 4"-diameter pipe, and comes with stainless steel removable perforated basket. 16.5" backsplash, plus splash at left, right, or both ends. Comes with either fiberglass or stainless steel grating.



*unit with left and right splashes (with fiberglass grating)*



*unit with left splash (with fiberglass grating)*



*unit with right splash (with stainless steel grating)*

Item No.:	_____
Project No.:	_____
S.I.S. No.:	_____

## Flush Floor Mop Sinks

### MODELS:

- |  |  |
|--|--|
| <input type="checkbox"/> FF2119-FG-LS  | <input type="checkbox"/> FF2119-SG-LS  |
| <input type="checkbox"/> FF2119-FG-RS  | <input type="checkbox"/> FF2119-SG-RS  |
| <input type="checkbox"/> FF2119-FG-LRS | <input type="checkbox"/> FF2119-SG-LRS |

### Design and Constructions Features

- Heavy gauge type 304 stainless steel construction
- 16½"-high standard backsplash, with end splash on left, right, or both sides
- Available with subway-style fiberglass or stainless steel grates
- Anti-splash angles at front and rear of mop sink help eliminate spillage
- Built-in pitch towards drain ensures complete drainage
- Flow rate of 20 gallons per minute
- Stainless steel drain accommodates 4"- diameter pipe, and features removable perforated stainless steel basket

### EAGLE GROUP

100 Industrial Boulevard, Clayton, DE 19938-8903 USA  
Phone: 302-653-3000 • 800-441-8440 • Fax: 302-653-2065  
www.eaglegrp.com  
www.eaglemh.com

For custom configuration or fabrication needs, contact our SpecFAB® Division.  
Phone: 302-653-3000 • Fax: 302-653-2065 • e-mail: quotes@eaglegrp.com



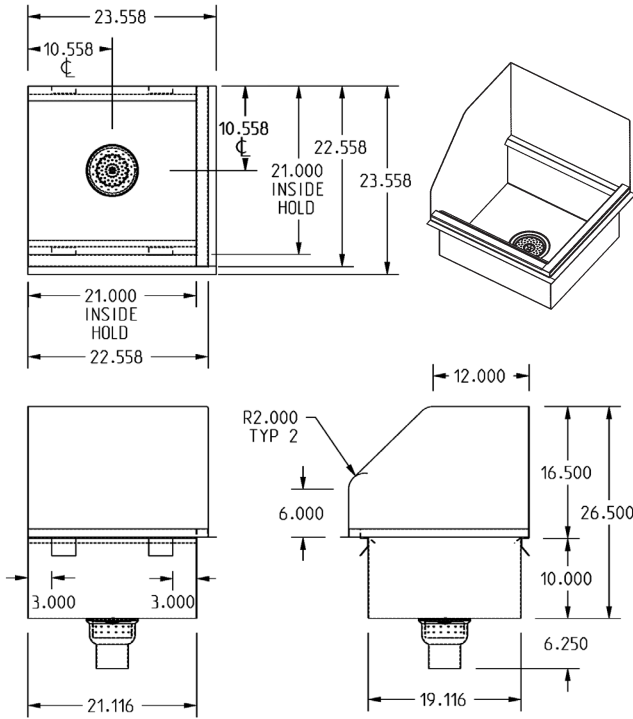
Spec sheets available for viewing, printing or downloading from our online literature library at our websites



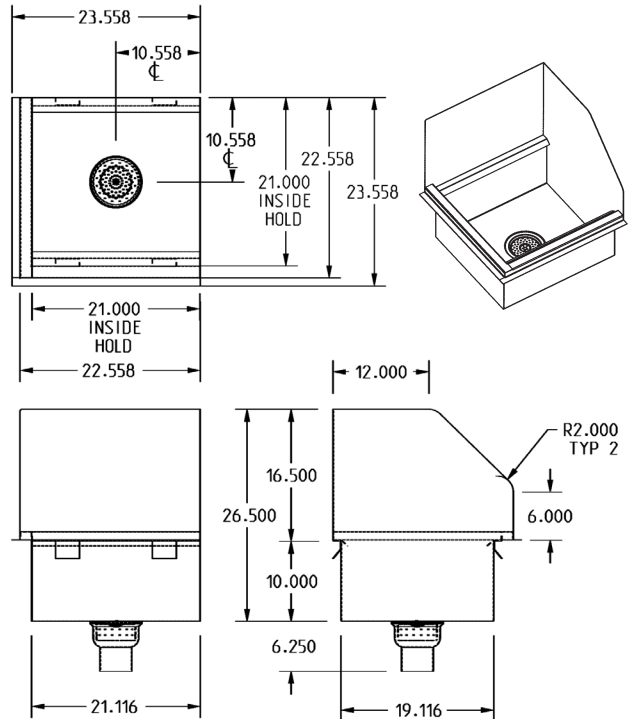
Item No.: \_\_\_\_\_  
 Project No.: \_\_\_\_\_  
 S.I.S. No.: \_\_\_\_\_

### Flush Floor Mop Sinks

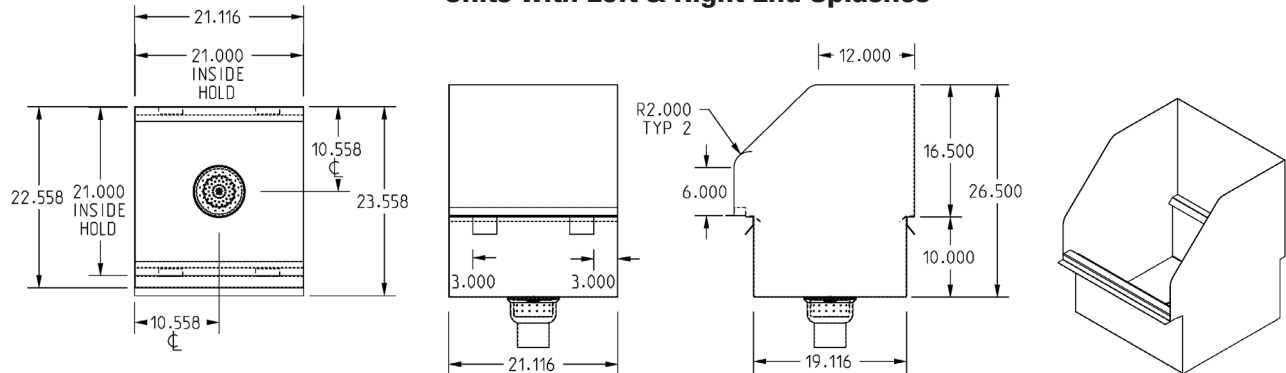
#### Units with Left End Splash



#### Units with Right End Splash



#### Units with Left & Right End Splashes



location of splash(es)	OVERALL DIMENSIONS width x length x height		BOWL DIMENSIONS width x length x height		BOWL CAPACITY gallons	FLOW RATE GPM	weight lbs. kg	WITH FIBERGLASS	WITH STAINLESS
	inches	mm	inches	mm				GRATING model #	STEEL GRATING model #
left side	23 <sup>5</sup> / <sub>8</sub> " x 23 <sup>5</sup> / <sub>8</sub> " x 32 <sup>3</sup> / <sub>4</sub> "	600 x 600 x 832	19" x 21" x 10"	483 x 533 x 254	17.1	20	65 29.5	FF2119-FG-LS	FF2119-SG-LS
right side	23 <sup>5</sup> / <sub>8</sub> " x 23 <sup>5</sup> / <sub>8</sub> " x 32 <sup>3</sup> / <sub>4</sub> "	600 x 600 x 832	19" x 21" x 10"	483 x 533 x 254	17.1	20	65 29.5	FF2119-FG-RS	FF2119-SG-RS
both sides	23 <sup>5</sup> / <sub>8</sub> " x 21 <sup>1</sup> / <sub>8</sub> " x 32 <sup>3</sup> / <sub>4</sub> "	600 x 537 x 832	19" x 21" x 10"	483 x 533 x 254	17.1	20	65 29.5	FF2119-FG-LRS	FF2119-SG-LRS

**EAGLE GROUP**  
 100 Industrial Boulevard, Clayton, DE 19938-8903 USA  
 Phone: 302-653-3000 or 800-441-8440 • Fax: 302-653-2065  
 www.eaglegrp.com • www.eaglehmc.com

Printed in U.S.A.  
 ©2025 by Eagle Group

Rev. 04/25

Spec sheets available for viewing, printing or downloading from our online literature library at our websites

Although every attempt has been made to ensure the accuracy of the information provided, we cannot be held responsible for typographical or printing errors. Information and specifications are subject to change without notice. Please confirm at time of order.