



Profit from the Eagle Advantage®

# Specification Sheet

## Short Form Specifications

Eagle Deep-Drawn Countertop Self Rimming Drop-In Sink, model \_\_\_\_\_. Sinks are type 300 stainless steel, self-rimming. Faucet holes are punched on 4" centers. Positive holddown clamping tabs for top mount. Faucet and drain included.



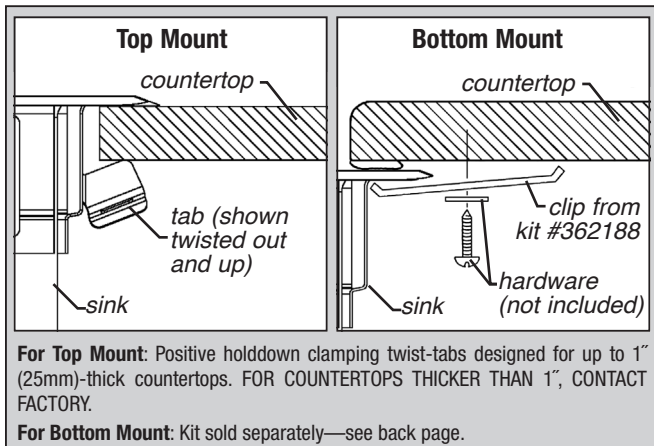
SRU14-10-9.5-1



SR10-14-9.5-2



SR10-14-9.5-3



## EAGLE GROUP

100 Industrial Boulevard, Clayton, DE 19938-8903 USA  
 Phone: 302-653-3000 • 800-441-8440 • Fax: 302-653-2065  
 www.eaglegrp.com  
 www.eaglehmc.com

For custom configuration or fabrication needs, contact our **SpecFAB®** Division.  
 Phone: 302-653-3000 • Fax: 302-653-2065 • e-mail: quotes@eaglegrp.com

Item No.: \_\_\_\_\_  
 Project No.: \_\_\_\_\_  
 S.I.S. No.: \_\_\_\_\_

# Deep-Drawn Countertop Drop-In Sinks with Self Rim Design\*

## MODELS:

- |   |   |   |
|---|---|---|
| <input type="checkbox"/> SR10-14-5-1    | <input type="checkbox"/> SR18-24-13.5-1 | <input type="checkbox"/> SR16-19-13.5-2 |
| <input type="checkbox"/> SR10-14-9.5-1  | <input type="checkbox"/> SR19-16-8-1    | <input type="checkbox"/> SR18-24-13.5-2 |
| <input type="checkbox"/> SR14-10-5-1    | <input type="checkbox"/> SR19-16-13.5-1 | <input type="checkbox"/> SR24-24-13.5-2 |
| <input type="checkbox"/> SRU14-10-5-1   | <input type="checkbox"/> SR24-18-13.5-1 | <input type="checkbox"/> SR10-14-9.5-3  |
| <input type="checkbox"/> SR14-10-9.5-1  | <input type="checkbox"/> SR24-24-13.5-1 | <input type="checkbox"/> SR16-19-8-3    |
| <input type="checkbox"/> SR16-19-8-1    | <input type="checkbox"/> SR10-14-9.5-2  | <input type="checkbox"/> SR16-19-13.5-3 |
| <input type="checkbox"/> SR16-19-13.5-1 | <input type="checkbox"/> SR16-19-8-2    | <input type="checkbox"/> SR18-24-13.5-3 |

## Design and Construction Features

- Sinks can be mounted onto top or bottom of countertop. For bottom mount, order kit #362188 (see back page).
- Heavy gauge type 300 series stainless steel covered bowls with large radius.
- All sinks feature 3½" (89mm)-diameter drain hole in the center of the bowl.
- Crumb cup strainer assembly features 4½" (114mm)-diameter top flange and 1½" (38mm) NPS outlet.
- All sinks feature deck-mounted faucet on 4" (102mm)\*\* centers; one-compartment sinks with 10" x 14" (254 x 356) and 14" x 16" (356 x 406mm) bowls include faucet with gooseneck spout.
- 18 gauge bowls are deep-drawn. See EG20.39B for sinks with 16 gauge fabricated bowls.
- All bowls are industrial grade construction and quality.
- All sinks are self-rimming.

\* Not intended for NSF installation into stainless steel worksurface. Please consult factory if need arises.

\*\* To order sinks with faucet holes punched on 8" (203mm) centers, add suffix "-8CL". Example: SR10-14-9.5-2-8CL

## Options / Accessories

- |   |   |
|---|---|
| <input type="checkbox"/> Faucets (see back page)                                | <input type="checkbox"/> No holes (add suffix "-NH")        |
| <input type="checkbox"/> Electronic-eye faucets <sup>Δ</sup> (add suffix "-FE") | <input type="checkbox"/> Sound deadening (add suffix "-SD") |
| <input type="checkbox"/> P-trap (#300789)                                       | <input type="checkbox"/> Overflow hole (add suffix "-OF")   |
| <input type="checkbox"/> No faucet (suffix "-NF") (add suffix "-TB")            | <input type="checkbox"/> Twist or lever drain bracket       |

<sup>Δ</sup> Electronic-Eye Faucets are available for One-Compartment Sinks only.

## Certifications / Approvals



EG20.39A Rev. 04/24

Spec sheets available for viewing, printing or downloading from our online literature library at our websites



Profit from the Eagle Advantage®

Item No.: \_\_\_\_\_  
 Project No.: \_\_\_\_\_  
 S.I.S. No.: \_\_\_\_\_



NOTE: width = front-to-back, length = side-to-side

**One-Compartment Sinks** — Furnished with a #302004 faucet with gooseneck spout, except where noted.

model #	inside bowl dimensions		overall dimensions		cutout for top mount		cutout for bottom mount		weight	gauge
	width	length x depth	width	length	width	length	width	length		
	in.	mm	in.	mm	in.	mm	in.	mm	lbs. kg	
SR10-14-5-1	14" x 10" x 5"	356 x 254 x 127	19" x 12 3/4"	483 x 324	17 7/8" x 11 1/4"	448 x 286	14 13/16" x 10 13/16"	376 x 275	10 4.5	18
SR10-14-9.5-1	14" x 10" x 9 1/2"	356 x 254 x 241	18 7/8" x 12 3/4"	480 x 324	17 7/8" x 11 1/4"	445 x 286	14 13/16" x 10 13/16"	376 x 275	12 5.4	18
SR14-10-5-1	10" x 14" x 5"	254 x 356 x 127	15" x 16 3/4"	381 x 426	13 3/8" x 15 1/4"	346 x 387	10 13/16" x 14 13/16"	275 x 376	10 4.5	18
SRU14-10-5-1	10" x 14" x 5"	254 x 356 x 127	15" x 16 3/4"	381 x 426	13 3/8" x 15 1/4"	346 x 387	n/a		12 5.4	18
SR14-10-9.5-1	10" x 14" x 9 1/2"	254 x 356 x 241	15" x 16 3/4"	381 x 422	13 3/8" x 15 1/8"	346 x 384	10 13/16" x 14 13/16"	275 x 376	12 5.4	18
SR16-19-8-1	20" x 16" x 8"	508 x 406 x 203	24 3/4" x 18 1/2"	629 x 470	23 3/8" x 17"	594 x 432	20 3/8" x 16"	524 x 422	26 11.8	18
SR16-19-13.5-1	20" x 16" x 13 1/2"	508 x 406 x 343	24 3/4" x 18 1/2"	629 x 470	23 3/8" x 17"	594 x 432	20 3/8" x 16"	524 x 422	28 12.7	18
SR18-24-13.5-1	24" x 18" x 13 1/2"	610 x 457 x 343	28 3/4" x 20 1/2"	730 x 521	27 7/8" x 19"	695 x 483	24 3/8" x 18 3/8"	626 x 473	32 14.5	18
SR19-16-8-1*	16" x 20" x 8"	406 x 508 x 203	20 3/4" x 22 1/2"	527 x 572	19 3/8" x 21"	492 x 533	16 3/8" x 20 3/8"	422 x 524	24 10.9	18
SR19-16-13.5-1*	16" x 20" x 13 1/2"	406 x 508 x 343	20 3/4" x 22 1/2"	527 x 572	19 3/8" x 21"	492 x 533	16 3/8" x 20 3/8"	422 x 524	25 11.3	18
SR24-18-13.5-1*	18" x 24" x 13 1/2"	457 x 610 x 343	22 3/4" x 26 1/2"	578 x 673	21 3/8" x 25"	543 x 635	18 3/8" x 24 3/8"	473 x 626	32 14.5	18
SR24-24-13.5-1*	24" x 24" x 13 1/2"	610 x 610 x 343	28 3/4" x 26 1/2"	730 x 673	27 7/8" x 25"	695 x 635	24 13/16" x 24 13/16"	627 x 627	36 16.3	18

\* SRU14-10-5-1 features an upturn on sides and rear; \*These sinks utilize a #300490 faucet with 12" (305mm) swivel spout

**Two-Compartment Sinks** — Furnished with a #300490 faucet with 12" (203mm) spout, except where noted.

model #	inside bowl dimensions		overall dimensions		cutout for top mount		cutout for bottom mount		weight	gauge
	width	length x depth	width	length	width	length	width	length		
	in.	mm	in.	mm	in.	mm	in.	mm	lbs. kg	
SR10-14-9.5-2*	14" x 10" x 9 1/2"	356 x 254 x 241	18 7/8" x 24 3/4"	480 x 629	17 1/2" x 23 3/4"	445 x 591	14 13/16" x 23"	376 x 584	25 11.3	18
SR16-19-8-2	20" x 16" x 8"	508 x 406 x 203	24 3/4" x 36 1/4"	527 x 921	23 3/8" x 34 3/4"	594 x 883	20 3/8" x 34 1/4"	524 x 870	48 21.8	18
SR16-19-13.5-2	20" x 16" x 13 1/2"	508 x 406 x 343	24 3/4" x 36 1/4"	527 x 921	23 3/8" x 34 3/4"	594 x 883	20 3/8" x 34 1/4"	524 x 870	52 23.6	18
SR18-24-13.5-2	24" x 18" x 13 1/2"	610 x 457 x 343	28 3/4" x 40 1/4"	730 x 1022	27 7/8" x 38 3/4"	695 x 984	24 3/8" x 38 1/2"	626 x 978	56 24.9	18
SR24-24-13.5-2	24" x 24" x 13 1/2"	610 x 610 x 343	28 3/4" x 52 1/8"	730 x 1324	27 7/8" x 50 3/8"	695 x 1286	24 13/16" x 50 1/4"	630 x 1276	64 29.0	18

\* Model #SR10-14-9.5-2 utilizes a #301248 faucet with 8" (203mm) swivel spout

**Three-Compartment Sinks** — Furnished with a #300490 faucet with 12" (305mm) spout, except where noted.

model #	inside bowl dimensions		overall dimensions		cutout for top mount		cutout for bottom mount		weight	gauge
	width	length x depth	width	length	width	length	width	length		
	in.	mm	in.	mm	in.	mm	in.	mm	lbs. kg	
SR10-14-9.5-3	14" x 10" x 9 1/2"	356 x 254 x 241	18 7/8" x 36 3/4"	480 x 933	17 1/2" x 35 1/4"	445 x 895	14 13/16" x 35"	376 x 889	37 16.8	18
SR16-19-8-3	20" x 16" x 8"	508 x 406 x 203	24 3/4" x 54"	629 x 1372	23 3/8" x 52 1/2"	594 x 1334	20 3/8" x 52 1/4"	524 x 1327	72 32.7	18
SR16-19-13.5-3	20" x 16" x 13 1/2"	508 x 406 x 343	24 3/4" x 54"	629 x 1372	23 3/8" x 52 1/2"	594 x 1334	20 3/8" x 52 1/4"	524 x 1327	77 34.9	18
SR18-24-13.5-3*	24" x 18" x 13 1/2"	610 x 457 x 343	28 3/4" x 60"	730 x 1524	27 7/8" x 58 1/2"	695 x 1486	24 3/8" x 58 1/4"	626 x 1480	82 37.2	18

\* Model #SR18-24-13.5-3 utilizes a #301440 faucet with 14" (356mm) swivel spout.

**Optional Deck Mount Faucets**



description	Standard	T&S
	model #	model #
gooseneck faucet, 4" (102mm) center, for single bowls	302004	313308
8" (203mm) spout, 4" (102mm) center, for single and double bowls	301248	313306
12" (305mm) spout, 4" (102mm) center, for triple bowls	300490	313303
14" (356mm) spout, 8" (203mm) center, for triple bowls	301440	313307
8" (203mm) spout, 4" (102mm) center, for single and double bowls, w/spray arm	—	377430
8" (203mm) spout, 8" (203mm) center, for single and double bowls, w/spray arm	—	303560*
12" (305mm) spout, 8" (203mm) center, for triple bowls, w/spray arm	—	303561*
14" (356mm) spout, 8" (203mm) center, for triple bowls, w/spray arm	—	303562*

\* Faucets with spray arm require special faucet holes.

**Bottom-Mount Kit**

One kit per one-compartment sink, two kits per two-compartment sink, three kits per three-compartment sink.

description	model #
8 undermount clips per kit	362188



EAGLE GROUP • 100 Industrial Boulevard, Clayton, DE 19938-8903 USA  
 Phone: 302-653-3000 or 800-441-8440 • Fax: 302-653-2065  
 www.eaglegrp.com • www.eaglegrp.com

Printed in U.S.A.  
 ©2024 by Eagle Group

Rev. 04/24

Spec sheets available for viewing, printing or downloading from our online literature library at our websites

Although every attempt has been made to ensure the accuracy of the information provided, we cannot be held responsible for typographical or printing errors. Information and specifications are subject to change without notice. Please confirm at time of order.

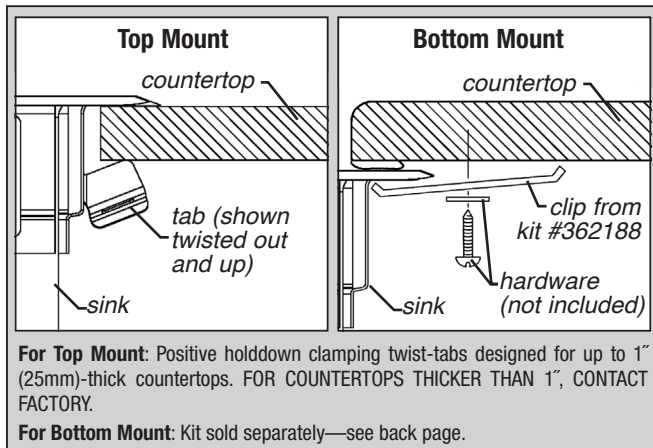


Profit from the Eagle Advantage®

# Specification Sheet

## Short Form Specifications

Eagle Fabricated Countertop Self Rimming Drop-In Sink, model \_\_\_\_\_. Sinks are type 300 stainless steel, self-rimming. Faucet holes are punched on 4" centers. Positive holddown clamping tabs for top mount. Faucet and drain included.



**EAGLE GROUP**  
 100 Industrial Boulevard, Clayton, DE 19938-8903 USA  
 Phone: 302-653-3000 • 800-441-8440 • Fax: 302-653-2065  
 www.eaglegrp.com  
 www.eaglehmc.com

For custom configuration or fabrication needs, contact our **SpecFAB®** Division.  
 Phone: 302-653-3000 • Fax: 302-653-2065 • e-mail: quotes@eaglegrp.com

**Spec sheets available for viewing, printing or downloading from our online literature library at our websites**

Item No.: \_\_\_\_\_  
 Project No.: \_\_\_\_\_  
 S.I.S. No.: \_\_\_\_\_

## Fabricated Countertop Drop-In Sinks with Self Rim Design\*

### MODELS:

- SR12-14-9.5-1
- SR14-12-9.5-1
- SR14-16-9.5-1
- SR16-13.5-10-1
- SR16-14-9.5-1
- SR20-12-6.5-1
- SR21-15.75-10-1
- SR22-22-13.5-1
- SR28-16-11.5-1
- SR12-14-9.5-2
- SR14-16-9.5-2
- SR22-22-13.5-2
- SR12-14-9.5-3
- SR14-16-9.5-3

### Design and Construction Features

- Sinks can be mounted onto top or bottom of countertop. For bottom mount, order kit #362188 (see back page).
- Heavy gauge type 300 series stainless steel covered bowls with large radius.
- All sinks feature 3½" (89mm)-diameter drain hole in the center of the bowl.
- Crumb cup strainer assembly features 4½" (114mm)-diameter top flange and 1½" (38mm) NPS outlet.
- All sinks feature deck-mounted faucet on 4" (102mm)\*\* centers; one-compartment sinks with 10" x 14" (254 x 356) and 14" x 16" (356 x 406mm) bowls include faucet with gooseneck spout.
- 16 gauge bowls are fabricated. See EG20.39A for sinks with 18 gauge deep-drawn bowls.
- All bowls are industrial grade construction and quality.
- All sinks are self-rimming.

\* Not intended for NSF installation into stainless steel worksurface. Please consult factory if need arises.  
 \*\* To order sinks with faucet holes punched on 8" (203mm) centers, add suffix "-8CL". Example: SR10-14-9.5-2-8CL

### Options / Accessories

- Faucets (see back page)
  - Electronic-eye faucets<sup>Δ</sup>
  - P-trap (#300789)
  - No faucet (suffix "-NF")
  - No holes (add suffix "-NH")
  - Sound deadening (add suffix "-SD")
  - Overflow hole (add suffix "-OF")
  - Twist or lever drain bracket (add suffix "-TB")
- <sup>Δ</sup> Electronic-Eye Faucets are available for One-Compartment Sinks only.

### Certifications / Approvals



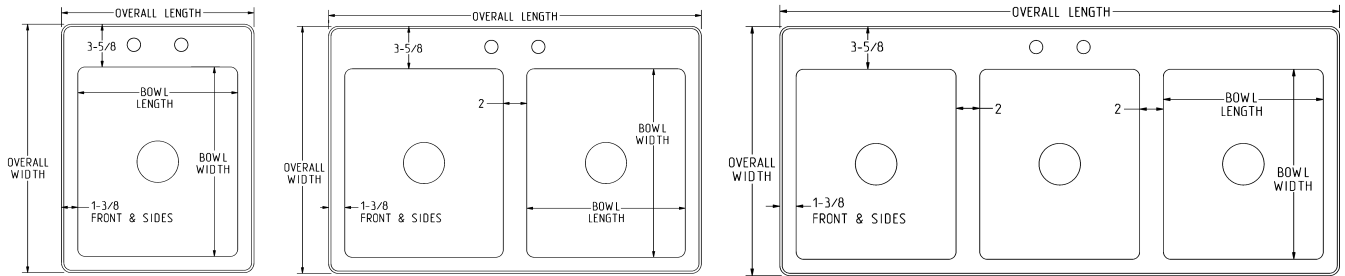
EG20.39B Rev. 04/24



Profit from the Eagle Advantage®

Item No.: \_\_\_\_\_  
 Project No.: \_\_\_\_\_  
 S.I.S. No.: \_\_\_\_\_

## Fabricated Countertop Drop-In Sinks With Self-Rim Design



NOTE: width = front-to-back, length = side-to-side

**One-Compartment Sinks** — Furnished with a #302004 faucet with gooseneck spout, except where noted.

model #	inside bowl dimensions width x length x depth in. mm		overall dimensions width x length in. mm		cutout for top mount width x length in. mm		cutout for bottom mount width x length in. mm		weight lbs. kg	gauge	
SR12-14-9.5-1	14" x 12" x 9½"	356 x 305 x 241	19" x 14¾"	483 x 375	17⅞" x 13¼"	448 x 337	14⅜" x 12⅝"	365 x 314	14	6.4	16
SR14-12-9.5-1	12" x 14" x 9½"	305 x 356 x 241	17" x 16⅞"	432 x 426	15⅝" x 15¼"	397 x 387	12⅝" x 14⅝"	314 x 365	14	6.4	16
SR14-16-9.5-1	16" x 14" x 9½"	406 x 356 x 241	21" x 16¾"	533 x 425	19⅝" x 15¼"	499 x 387	16⅝" x 14⅝"	422 x 372	23	10.4	16
SR16-13.5-10-1	16" x 13½" x 10"	406 x 559 x 254	19" x 20¼"	483 x 514	18⅞" x 17⅞"	479 x 448	16" x 13½"	406 x 343	32	14.5	16
SR16-14-9.5-1	14" x 16" x 9½"	356 x 406 x 241	19" x 18¾"	483 x 476	17⅞" x 17¼"	448 x 438	14⅝" x 16⅝"	372 x 422	23	10.4	16
SR20-12-6.5-1	12" x 20" x 6½"	305 x 508 x 165	17" x 22¾"	432 x 578	15⅝" x 21¼"	397 x 540	12⅝" x 20⅞"	310 x 511	28	12.7	16
SR21-15.75-10-1	21" x 15¾" x 10"	533 x 400 x 254	25" x 21¼"	635 x 552	23⅝" x 20⅝"	600 x 518	21" x 15¼"	533 x 400	39	17.7	16
SR22-22-13.5-1*	22" x 22" x 13½"	559 x 559 x 343	27" x 24¾"	686 x 629	25⅝" x 23¼"	651 x 591	see template ^		34	15.4	16
SR28-16-11.5-1	28" x 16" x 11½"	711 x 406 x 292	31" x 21¼"	787 x 553	29⅝" x 20⅝"	753 x 611	28" x 16"	711 x 406	49	22.2	16

\* This sink utilizes #300490 faucet with 12" (305mm) swivel spout; ^Template included with sink.

**Two-Compartment Sinks** — Furnished with a #300490 faucet with 12" (203mm) spout, except where noted.

model #	inside bowl dimensions width x length x depth in. mm		overall dimensions width x length in. mm		cutout for top mount width x length in. mm		cutout for bottom mount width x length in. mm		weight lbs. kg	gauge	
SR12-14-9.5-2	14" x 12" x 9½"	356 x 305 x 241	19" x 28¾"	483 x 730	17⅞" x 27¼"	448 x 692	14⅜" x 26⅝"	365 x 676	27	12.2	16
SR14-16-9.5-2	16" x 14" x 9½"	406 x 356 x 241	21" x 32¾"	525 x 832	19⅝" x 31¼"	499 x 794	16⅝" x 30⅝"	422 x 778	42	19.1	16
SR22-22-13.5-2	22" x 22" x 13½"	559 x 559 x 343	27" x 48¾"	686 x 1238	25⅝" x 47¼"	651 x 1200	see template ^		57	25.9	16

^Template included with sink.

**Three-Compartment Sinks** — Furnished with a #300490 faucet with 12" (305mm) spout, except where noted.

model #	inside bowl dimensions width x length x depth in. mm		overall dimensions width x length in. mm		cutout for top mount width x length in. mm		cutout for bottom mount width x length in. mm		weight lbs. kg	gauge	
SR12-14-9.5-3	14" x 12" x 9½"	356 x 305 x 241	19" x 42¾"	483 x 1086	17⅞" x 41¼"	448 x 1031	14⅜" x 40⅝"	365 x 1032	39	17.6	16
SR14-16-9.5-3	16" x 14" x 9½"	406 x 356 x 241	21" x 48¾"	533 x 1238	19⅝" x 47¼"	498 x 1200	16⅝" x 46⅝"	422 x 1184	66	29.9	16

### Optional Deck Mount Faucets



#313306  
T&S faucet

description	Standard model #	T&S model #
gooseneck faucet, 4" (102mm) center, for single bowls	302004	313308
8" (203mm) spout, 4" (102mm) center, for single and double bowls	301248	313306
12" (305mm) spout, 4" (102mm) center, for triple bowls	300490	313303
14" (356mm) spout, 8" (203mm) center, for triple bowls	301440	313307
8" (203mm) spout, 4" (102mm) center, for single and double bowls, w/spray arm	—	377430
8" (203mm) spout, 8" (203mm) center, for single and double bowls, w/spray arm	—	303560*
12" (305mm) spout, 8" (203mm) center, for triple bowls, w/spray arm	—	303561*
14" (356mm) spout, 8" (203mm) center, for triple bowls, w/spray arm	—	303562*

\* Faucets with spray arm require special faucet holes.

### Bottom-Mount Kit

One kit per one-compartment sink, two kits per two-compartment sink, three kits per three-compartment sink.

description	model #
8 undermount clips per kit	362188



EAGLE GROUP • 100 Industrial Boulevard, Clayton, DE 19938-8903 USA  
 Phone: 302-653-3000 or 800-441-8440 • Fax: 302-653-2065  
 www.eaglegrp.com • www.eaglehmc.com

Printed in U.S.A.  
 ©2024 by Eagle Group

Rev. 04/24

Spec sheets available for viewing, printing or downloading from our online literature library at our websites

Although every attempt has been made to ensure the accuracy of the information provided, we cannot be held responsible for typographical or printing errors. Information and specifications are subject to change without notice. Please confirm at time of order.