



Profit from the Eagle Advantage®

Specification Sheet

Short Form Specifications

Eagle RedHots® Heated Surface, model _____. Heated surfaces feature uniform heated stainless steel or coated steel surface. Digital control provides precise control of temperature. Cord connected, top-mount installation, and fully insulated.

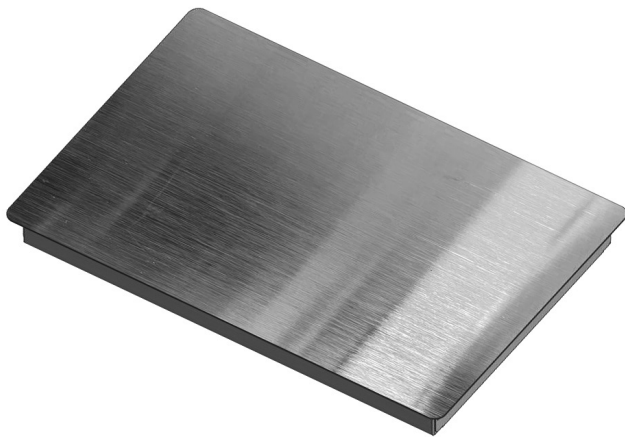
Item No.:	_____
Project No.:	_____
S.I.S. No.:	_____

RedHots® Heated Surface

MODELS:

- | | | |
|--------------------------------------|--------------------------------------|--------------------------------------|
| <input type="checkbox"/> RHHS-1624-* | <input type="checkbox"/> RHHS-1672-* | <input type="checkbox"/> RHHS-2066-* |
| <input type="checkbox"/> RHHS-1630-* | <input type="checkbox"/> RHHS-2024-* | <input type="checkbox"/> RHHS-2072-* |
| <input type="checkbox"/> RHHS-1636-* | <input type="checkbox"/> RHHS-2030-* | <input type="checkbox"/> RHHS-3024-* |
| <input type="checkbox"/> RHHS-1642-* | <input type="checkbox"/> RHHS-2036-* | <input type="checkbox"/> RHHS-3030-* |
| <input type="checkbox"/> RHHS-1648-* | <input type="checkbox"/> RHHS-2042-* | <input type="checkbox"/> RHHS-3036-* |
| <input type="checkbox"/> RHHS-1654-* | <input type="checkbox"/> RHHS-2048-* | <input type="checkbox"/> RHHS-3042-* |
| <input type="checkbox"/> RHHS-1660-* | <input type="checkbox"/> RHHS-2054-* | <input type="checkbox"/> RHHS-3048-* |
| <input type="checkbox"/> RHHS-1666-* | <input type="checkbox"/> RHHS-2060-* | <input type="checkbox"/> RHHS-3054-* |

* See charts on back for complete model numbers.



RedHots® heated surface unit



digital control

Design and Construction Features

- Digital control
- Uniform mat heater
- Stainless or coated steel surface
- Fully insulated
- Top-mount installation
- Cord connected

EAGLE GROUP

100 Industrial Boulevard, Clayton, DE 19938-8903 USA
 Phone: 302-653-3000 • 800-441-8440 • Fax: 302-653-2065
www.eaglegrp.com
www.eaglemhc.com

For custom configuration or fabrication needs, contact our **SpecFAB® Division**.
 Phone: 302-653-3000 • Fax: 302-653-2065 • e-mail: quotes@eaglegrp.com



EG35.28 Rev. 02/25

Spec sheets available for viewing, printing or downloading from our online literature library at our websites

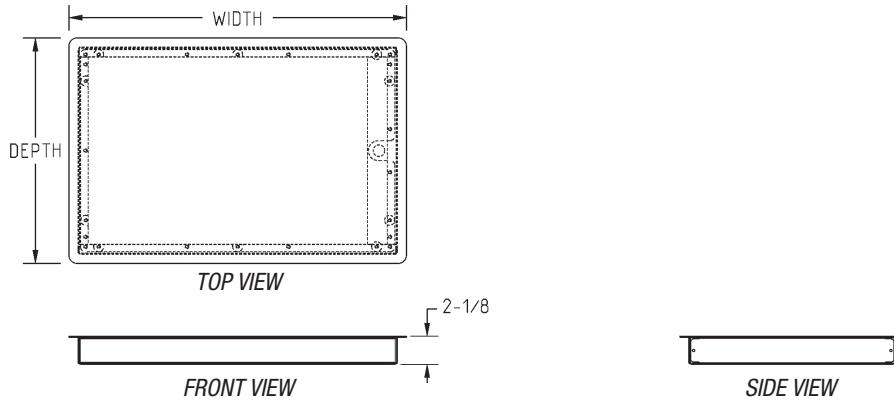
Eagle Foodservice Equipment, Eagle MHC, and SpecFAB® are divisions of Eagle Group. ©2025 by the Eagle Group



Profit from the Eagle Advantage®

Item No.: _____
 Project No.: _____
 S.I.S. No.: _____

RedHots® Heated Surface



17"-Deep Models

overall depth x width		cutout depth x width		electrical data			STAINLESS	COATED
in.	mm	in.	mm	voltage	wattage	amp	model #	model #
17" x 25 1/2"	432 x 648	15 7/8" x 24 1/2"	403 x 622	120V	400W	3.3	RHHS-1624-S	RHHS-1624-B
17" x 31 1/2"	432 x 800	15 7/8" x 30 1/2"	403 x 775	120V	500W	4.2	RHHS-1630-S	RHHS-1630-B
17" x 37 1/2"	432 x 953	15 7/8" x 36 1/2"	403 x 927	120V	600W	5.0	RHHS-1636-S	RHHS-1636-B
17" x 43 1/2"	432 x 1105	15 7/8" x 42 1/2"	403 x 1080	120V	700W	5.8	RHHS-1642-S	RHHS-1642-B
17" x 49 1/2"	432 x 1257	15 7/8" x 48 1/2"	403 x 1232	120V	800W	6.7	RHHS-1648-S	RHHS-1648-B
17" x 55 1/2"	432 x 1410	15 7/8" x 54 1/2"	403 x 1384	120V	900W	7.5	RHHS-1654-S	RHHS-1654-B
17" x 61 1/2"	432 x 1562	15 7/8" x 60 1/2"	403 x 1537	120V	1000W	8.3	RHHS-1660-S	RHHS-1660-B
17" x 67 1/2"	432 x 1715	15 7/8" x 66 1/2"	403 x 1689	120V	1100W	9.2	RHHS-1666-S	RHHS-1666-B
17" x 73 1/2"	432 x 1867	15 7/8" x 72 1/2"	403 x 1841	120V	1200W	10.0	RHHS-1672-S	RHHS-1672-B

21"-Deep Models

overall depth x width		cutout depth x width		electrical data			STAINLESS	COATED
in.	mm	in.	mm	voltage	wattage	amp	model #	model #
21" x 25 1/2"	533 x 648	19 7/8" x 24 1/2"	495 x 622	120V	490W	4.1	RHHS-2024-S	RHHS-2024-B
21" x 31 1/2"	533 x 800	19 7/8" x 30 1/2"	495 x 775	120V	620W	5.2	RHHS-2030-S	RHHS-2030-B
21" x 37 1/2"	533 x 953	19 7/8" x 36 1/2"	495 x 927	120V	735W	6.1	RHHS-2036-S	RHHS-2036-B
21" x 43 1/2"	533 x 1105	19 7/8" x 42 1/2"	495 x 1080	120V	865W	7.2	RHHS-2042-S	RHHS-2042-B
21" x 49 1/2"	533 x 1257	19 7/8" x 48 1/2"	495 x 1232	120V	980W	8.2	RHHS-2048-S	RHHS-2048-B
21" x 55 1/2"	533 x 1410	19 7/8" x 54 1/2"	495 x 1384	120V	1110W	9.3	RHHS-2054-S	RHHS-2054-B
21" x 61 1/2"	533 x 1562	19 7/8" x 60 1/2"	495 x 1537	120V	1225W	10.2	RHHS-2060-S	RHHS-2060-B
21" x 67 1/2"	533 x 1715	19 7/8" x 66 1/2"	495 x 1689	120V	1355W	11.3	RHHS-2066-S	RHHS-2066-B
21" x 73 1/2"	533 x 1867	19 7/8" x 72 1/2"	495 x 1841	120V	1470W	12.3	RHHS-2072-S	RHHS-2072-B

31"-Deep Models

overall depth x width		cutout depth x width		electrical data			STAINLESS	COATED
in.	mm	in.	mm	voltage	wattage	amp	model #	model #
31" x 25 1/2"	787 x 648	29 7/8" x 24 1/2"	759 x 622	120V	800W	6.7	RHHS-3024-S	RHHS-3024-B
31" x 31 1/2"	787 x 800	29 7/8" x 30 1/2"	759 x 775	120V	1000W	8.3	RHHS-3030-S	RHHS-3030-B
31" x 37 1/2"	787 x 953	29 7/8" x 36 1/2"	759 x 927	120V	1200W	10.0	RHHS-3036-S	RHHS-3036-B
31" x 43 1/2"	787 x 1105	29 7/8" x 42 1/2"	759 x 1080	120V	1400W	11.7	RHHS-3042-S	RHHS-3042-B
31" x 49 1/2"	787 x 1257	29 7/8" x 48 1/2"	759 x 1232	120V	1600W	13.3	RHHS-3048-S	RHHS-3048-B
31" x 55 1/2"	787 x 1410	29 7/8" x 54 1/2"	759 x 1384	120V	1800W	15.0	RHHS-3054-S	RHHS-3054-B

EAGLE GROUP

100 Industrial Boulevard, Clayton, DE 19938-8903 USA

Phone: 302-653-3000 or 800-441-8440 • Fax: 302-653-2065

www.eaglegrp.com • www.eaglehmc.com

Printed in U.S.A.

©2025 by Eagle Group

Rev. 02/25

Spec sheets available for viewing, printing or downloading from our online literature library at our websites

Although every attempt has been made to ensure the accuracy of the information provided, we cannot be held responsible for typographical or printing errors. Information and specifications are subject to change without notice. Please confirm at time of order.