



Profit from the Eagle Advantage®

# Specification Sheet

## Short Form Specifications

Eagle Shallow Floor Trough with stainless steel grating, model \_\_\_\_\_ . Unit constructed of 14/304 stainless steel all-welded construction. Drain pan has built-in pitch towards drain, accommodates up to a 4"-diameter pipe, and comes standard with a stainless steel removable perforated basket. Type 304 stainless steel subway style grating shall be 3/16" x 1" vertically positioned bars spaced 1" apart for ease of drainage. Two 5/8" stainless steel rods, set 2 1/4" in from each edge, are welded to the bars to eliminate swaying.

Eagle Shallow Floor Trough with fiberglass grating, model \_\_\_\_\_ . Unit constructed of 14/304 stainless steel all-welded construction. Drain pan has built-in pitch towards drain, accommodates up to a 4"-diameter pipe, and comes standard with a stainless steel removable perforated basket. Fiberglass grating to be 1" high yellow polyester material with a non-slip grit top surface. Tapered "I" beam construction for ease of cleaning and drainage. Gray color grating available.



shallow floor trough with stainless steel grating

## Options / Accessories

- Gray color fiberglass grating
- ADA-compliant grating

## EAGLE GROUP

100 Industrial Boulevard, Clayton, DE 19938-8903 USA  
Phone: 302-653-3000 • 800-441-8440 • Fax: 302-653-2065  
www.eaglegrp.com  
www.eaglehmc.com

For custom configuration or fabrication needs, contact our **SpecFAB® Division**.  
Phone: 302-653-3000 • Fax: 302-653-2065 • e-mail: quotes@eaglegrp.com

Item No.:	_____
Project No.:	_____
S.I.S. No.:	_____

# Shallow Floor Troughs

## MODELS

- |                                     |                                     |
|-------------------------------------|-------------------------------------|
| <input type="checkbox"/> SFT-1218-* | <input type="checkbox"/> SFT-1848-* |
| <input type="checkbox"/> SFT-1224-* | <input type="checkbox"/> SFT-1860-* |
| <input type="checkbox"/> SFT-1230-* | <input type="checkbox"/> SFT-1872-* |
| <input type="checkbox"/> SFT-1236-* | <input type="checkbox"/> SFT-2424-* |
| <input type="checkbox"/> SFT-1248-* | <input type="checkbox"/> SFT-2430-* |
| <input type="checkbox"/> SFT-1260-* | <input type="checkbox"/> SFT-2436-* |
| <input type="checkbox"/> SFT-1272-* | <input type="checkbox"/> SFT-2442-* |
| <input type="checkbox"/> SFT-1824-* | <input type="checkbox"/> SFT-2448-* |
| <input type="checkbox"/> SFT-1830-* | <input type="checkbox"/> SFT-2460-* |
| <input type="checkbox"/> SFT-1836-* | <input type="checkbox"/> SFT-2472-* |

\* See charts for complete model numbers.

## Floor Troughs

- 14 gauge type 304 stainless steel all-welded construction.
- Built-in pitch towards drain ensures complete drainage.
- Stainless steel drain accommodates up to a 4" (102mm) diameter pipe, and features a removable perforated stainless steel basket.
- Comes with subway-style yellow fiberglass grating.
- Floor Troughs with Gray Fiberglass Grating available (in place of yellow). To order, add suffix "G" to model number of trough with yellow fiberglass grating. Example: SFT-1224-FGG
- Optional ADA-compliant Grating\* available. To order, add suffix "-ADA" to model number of trough with fiberglass or stainless steel grating. Example: SFT-1224-FG-ADA
- Custom sizes available.

\* For Floor Troughs with Fiberglass Grating, optional ADA-compliant Grating is wide T-Bar grey color fiberglass.  
For Floor Troughs with Stainless Steel Grating, optional ADA-compliant Grating features additional stainless steel flat bars spaced 1/4" apart.

## Certifications / Approvals

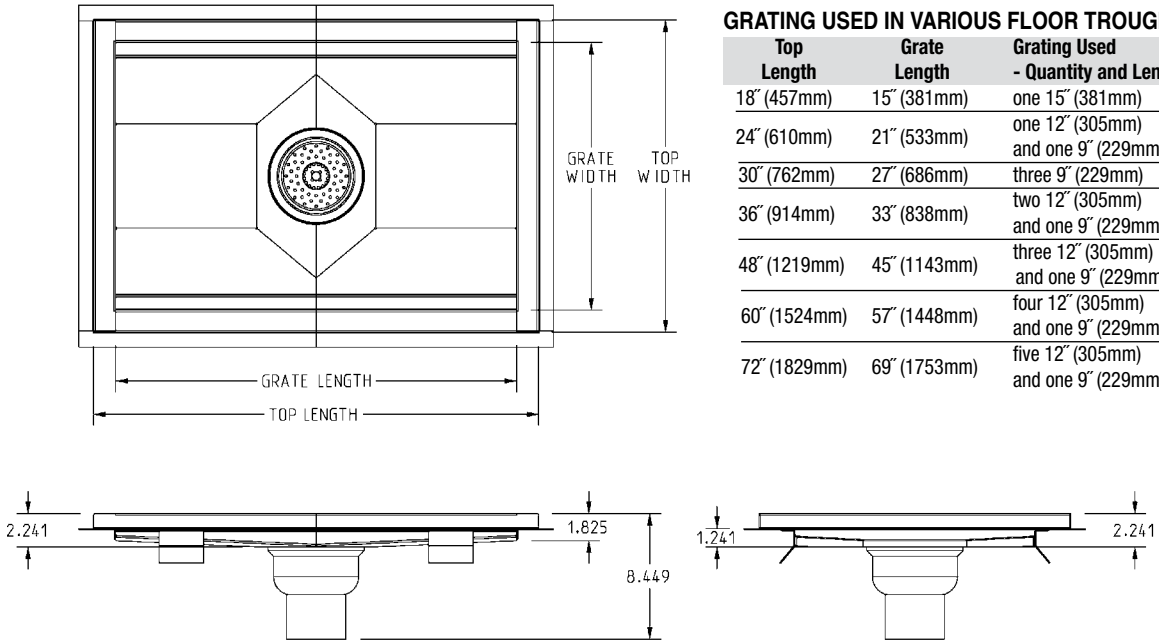




Profit from the Eagle Advantage®

Item No.: \_\_\_\_\_  
 Project No.: \_\_\_\_\_  
 S.I.S. No.: \_\_\_\_\_

# Shallow Floor Troughs



TOP width x length		GRATING width x length		VOLUME gallons	W/FIBERGLASS GRATING model #	W/STAINLESS GRATING model #
in.	mm	in.	mm			
12" x 18"	432 x 457	9" x 15"	229 x 381	1.1	SFT-1218-FG	SFT-1218-SG
12" x 24"	432 x 610	9" x 21"	229 x 533	1.5	SFT-1224-FG	SFT-1224-SG
12" x 30"	432 x 762	9" x 27"	229 x 686	1.9	SFT-1230-FG	SFT-1230-SG
12" x 36"	432 x 914	9" x 33"	229 x 838	2.3	SFT-1236-FG	SFT-1236-SG
12" x 48"	432 x 1219	9" x 45"	229 x 1143	3.2	SFT-1248-FG	SFT-1248-SG
12" x 60"	432 x 1524	9" x 57"	229 x 1448	4.0	SFT-1260-FG	SFT-1260-SG
12" x 72"	432 x 1829	9" x 69"	229 x 1753	4.8	SFT-1272-FG	SFT-1272-SG
18" x 24"	432 x 610	15" x 21"	381 x 533	2.5	SFT-1824-FG	SFT-1824-SG
18" x 30"	432 x 762	15" x 27"	381 x 686	3.2	SFT-1830-FG	SFT-1830-SG
18" x 36"	432 x 914	15" x 33"	381 x 838	3.9	SFT-1836-FG	SFT-1836-SG
18" x 48"	432 x 1219	15" x 45"	381 x 1143	5.3	SFT-1848-FG	SFT-1848-SG
18" x 60"	432 x 1524	15" x 57"	381 x 1448	6.7	SFT-1860-FG	SFT-1860-SG
18" x 72"	432 x 1829	15" x 69"	381 x 1753	8.1	SFT-1872-FG	SFT-1872-SG
24" x 24"	432 x 610	21" x 21"	533 x 533	4.4	SFT-2424-FG	SFT-2424-SG
24" x 30"	432 x 762	21" x 27"	533 x 686	5.4	SFT-2430-FG	SFT-2430-SG
24" x 36"	432 x 914	21" x 33"	533 x 838	6.4	SFT-2436-FG	SFT-2436-SG
24" x 42"	432 x 1068	21" x 39"	533 x 991	6.4	SFT-2436-FG	SFT-2436-SG
24" x 48"	432 x 1219	21" x 45"	533 x 1143	7.4	SFT-2448-FG	SFT-2448-SG
24" x 60"	432 x 1524	21" x 57"	533 x 1448	9.3	SFT-2460-FG	SFT-2460-SG
24" x 72"	432 x 1829	21" x 69"	533 x 1753	11.3	SFT-2472-FG	SFT-2472-SG

**EAGLE GROUP**  
 100 Industrial Boulevard, Clayton, DE 19938-8903 USA  
 Phone: 302-653-3000 or 800-441-8440 • Fax: 302-653-2065  
 www.eaglegrp.com • www.eaglehmc.com

Printed in U.S.A.  
 ©2025 by Eagle Group

Rev. 02/25

Spec sheets available for viewing, printing or downloading from our online literature library at our websites

Although every attempt has been made to ensure the accuracy of the information provided, we cannot be held responsible for typographical or printing errors. Information and specifications are subject to change without notice. Please confirm at time of order.