



Profit from the Eagle Advantage®

# Specification Sheet

## Short Form Specifications

Eagle SpecFAB® Service Counter, model \_\_\_\_\_. Heavy gauge 1-1/2" stainless tube frame, fully welded, ships fully assembled. Stainless adjustable feet. Removable kick plates. Full length piano hinge. MDF doors and panels with white laminate interior and 5th Ave. Elm exterior. Standard Corian Everest solid surface top. Available with solid surfaces only (stainless steel or Corian), or as "Beverage Service Counters" (with undermounted drain trough) or "Sink Service Counters" (with sink bowl integrated into top).



Service Counter with Corian top



Beverage Service Counter with stainless steel top



Sink Service Counter with Corian top

### EAGLE GROUP

100 Industrial Boulevard, Clayton, DE 19938-8903 USA  
Phone: 302-653-3000 • 800-441-8440 • Fax: 302-653-2065  
www.eaglegrp.com  
www.eaglegrp.com

For custom configuration or fabrication needs, contact our SpecFAB® Division.  
Phone: 302-653-3000 • Fax: 302-653-2065 • e-mail: quotes@eaglegrp.com

Item No.: \_\_\_\_\_  
Project No.: \_\_\_\_\_  
S.I.S. No.: \_\_\_\_\_

## SpecFAB® Service Counters

### MODELS:

- |                                      |                                      |                                      |
|--------------------------------------|--------------------------------------|--------------------------------------|
| <input type="checkbox"/> FH-CBH3048* | <input type="checkbox"/> FH-BEV3048* | <input type="checkbox"/> FH-SNK3048* |
| <input type="checkbox"/> FH-CBH3060* | <input type="checkbox"/> FH-BEV3060* | <input type="checkbox"/> FH-SNK3060* |
| <input type="checkbox"/> FH-CBH3072* | <input type="checkbox"/> FH-BEV3072* | <input type="checkbox"/> FH-SNK3072* |
| <input type="checkbox"/> FH-CBH3648* | <input type="checkbox"/> FH-BEV3648* | <input type="checkbox"/> FH-SNK3648* |
| <input type="checkbox"/> FH-CBH3660* | <input type="checkbox"/> FH-BEV3660* | <input type="checkbox"/> FH-SNK3660* |
| <input type="checkbox"/> FH-CBH3672* | <input type="checkbox"/> FH-BEV3672* | <input type="checkbox"/> FH-SNK3672* |

\* See charts for complete model numbers.

### Design and Construction Features on all models

- Welded Stainless Frame
- Adjustable Stainless Feet
- Open Frame Design

### On Beverage Service Counters

- Undermounted drain trough

### On Sink Service Counters

- Sink bowls integral to top.

### Options / Accessories

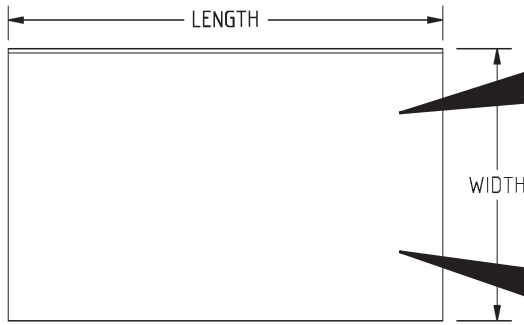
- Locks
- Laminate
- Solid surface options
- Lift-off hinges



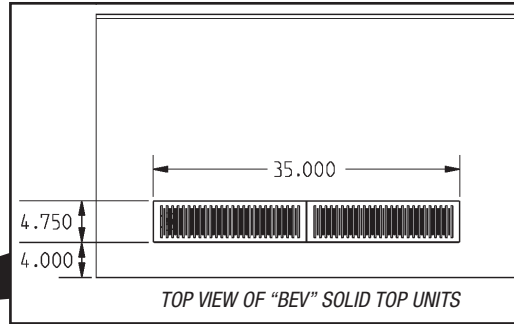


Item No.: \_\_\_\_\_  
 Project No.: \_\_\_\_\_  
 S.I.S. No.: \_\_\_\_\_

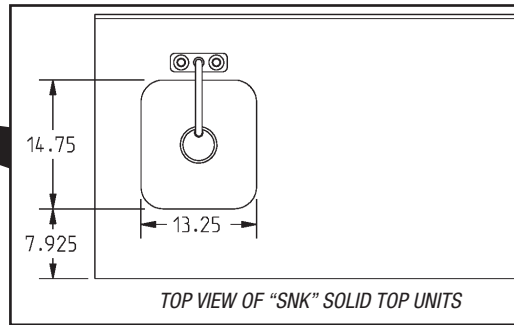
# SpecFAB® Service Counters



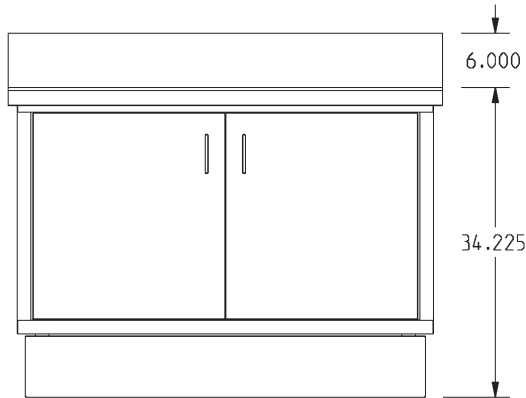
TOP VIEW OF "CBH" SOLID TOP UNITS



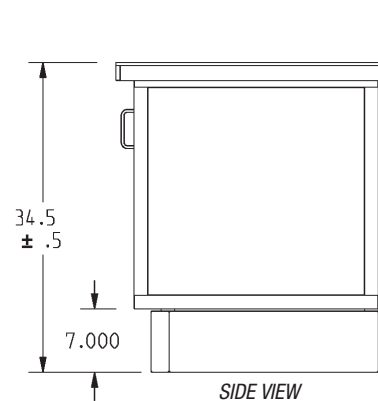
TOP VIEW OF "BEV" SOLID TOP UNITS



TOP VIEW OF "SNK" SOLID TOP UNITS



FRONT VIEW - OPERATOR'S SIDE



SIDE VIEW

		Solid Top Service Counters		Beverage Service Counters		Sink Service Counters	
overall width x length		W/STAINLESS STEEL TOP	WITH CORIAN TOP	W/STAINLESS STEEL TOP	WITH CORIAN TOP	W/STAINLESS STEEL TOP	WITH CORIAN TOP
in.	mm	model #	model #	model #	model #	model #	model #
30" x 48"	432 x 1219	FH-CBH3048SE	FH-CBH3048DC	FH-BEV3048SE	FH-BEV3048DC	FH-SNK3048SE	FH-SNK3048DC
30" x 60"	432 x 1524	FH-CBH3060SE	FH-CBH3060DC	FH-BEV3060SE	FH-BEV3060DC	FH-SNK3060SE	FH-SNK3060DC
30" x 72"	432 x 1829	FH-CBH3072SE	FH-CBH3072DC	FH-BEV3072SE	FH-BEV3072DC	FH-SNK3072SE	FH-SNK3072DC
30" x 48"	432 x 1219	FH-CBH3648SE	FH-CBH3648DC	FH-BEV3648SE	FH-BEV3648DC	FH-SNK3648SE	FH-SNK3648DC
30" x 60"	432 x 1524	FH-CBH3660SE	FH-CBH3660DC	FH-BEV3660SE	FH-BEV3660DC	FH-SNK3660SE	FH-SNK3660DC
30" x 72"	432 x 1829	FH-CBH3672SE	FH-CBH3672DC	FH-BEV3672SE	FH-BEV3672DC	FH-SNK3672SE	FH-SNK3672DC

**EAGLE GROUP**  
 100 Industrial Boulevard, Clayton, DE 19938-8903 USA  
 Phone: 302-653-3000 or 800-441-8440 • Fax: 302-653-2065  
 www.eaglegrp.com • www.eaglehmc.com

Printed in U.S.A.  
 ©2025 by Eagle Group

Rev. 02/25

Spec sheets available for viewing, printing or downloading from our online literature library at our websites

Although every attempt has been made to ensure the accuracy of the information provided, we cannot be held responsible for typographical or printing errors. Information and specifications are subject to change without notice. Please confirm at time of order.