

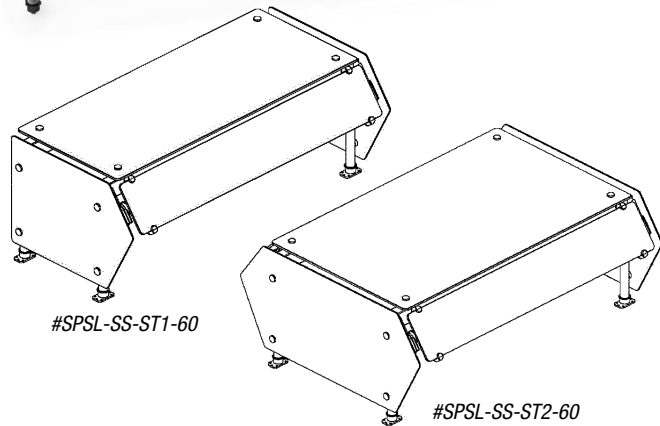
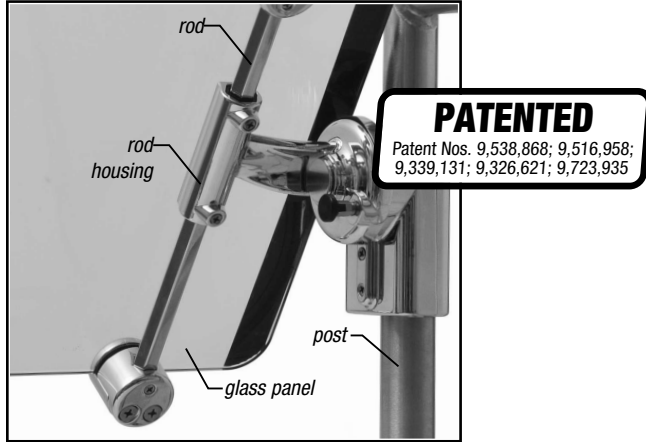


Profit from the Eagle Advantage®

Specification Sheet

Short Form Specifications

Eagle Group Spec-SHIELD™ Self-Service Food Guard, model # _____ . Designed to meet NSF requirements. Front allows maximum customer access to the food product while maximizing protection. Rear allows full access by the kitchen staff for replenishing product. Available in single- or double-tier models.



Item No.: _____
Project No.: _____
S.I.S. No.: _____

Spec-SHIELD™ Self-Service Food Guards—Long Span

MODELS:

- SPSL-SS-ST1-60
- SPSL-SS-ST1-72
- SPSL-SS-ST1-84
- SPSL-SS-ST1-96
- SPSL-SS-ST1-108
- SPSL-SS-ST1-120
- SPSL-SS-ST1-132
- SPSL-SS-ST1-144
- SPSL-SS-ST1-156
- SPSL-SS-ST1-168
- SPSL-SS-ST2-60
- SPSL-SS-ST2-72
- SPSL-SS-ST2-84
- SPSL-SS-ST2-96
- SPSL-SS-ST2-108
- SPSL-SS-ST2-120
- SPSL-SS-ST2-132
- SPSL-SS-ST2-144
- SPSL-SS-ST2-156
- SPSL-SS-ST2-168

Design and Construction Features

- Front glass is adjustable vertically and may be rotated on 18" increments
- 1½" stainless steel posts
- Die cast aluminum with chrome finish brackets
- ¾" radius corners on all glass panels
- Glass is ¾" thick
- End glass included

Options / Accessories

- Heat lamps
- Lights
- Custom lengths available

EAGLE GROUP

100 Industrial Boulevard, Clayton, DE 19938-8903 USA
Phone: 302-653-3000 • 800-441-8440 • Fax: 302-653-2065
www.eaglegrp.com
www.eaglegrpnews.com
www.eaglegrp.com

For custom configuration or fabrication needs, contact our SpecFAB® Division.
Phone: 302-653-3000 • Fax: 302-653-2065 • e-mail: quotes@eaglegrp.com

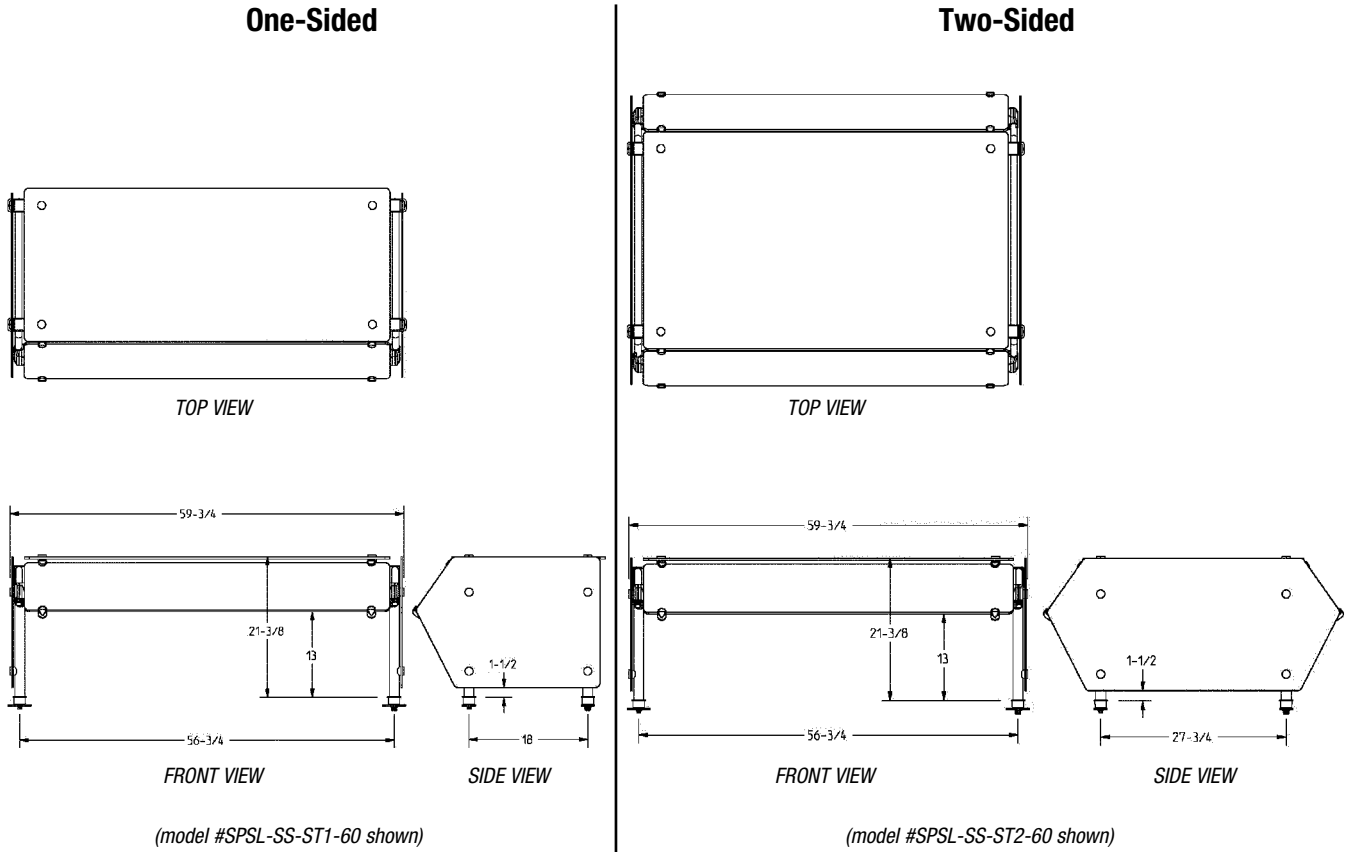


Spec sheets available for viewing, printing or downloading from our online literature library at our websites



Item No.: _____
 Project No.: _____
 S.I.S. No.: _____

Spec-SHIELD™ Self-Service Food Guards—Long Span



Self-Service Long Span Food Guards

| length in. mm | ONE-SIDED model # | TWO-SIDED model # |
|------------------|----------------------|----------------------|
| 60" 1524 | SPSL-SS-ST1-60 | SPSL-SS-ST2-60 |
| 72" 1829 | SPSL-SS-ST1-72 | SPSL-SS-ST2-72 |
| 84" 2134 | SPSL-SS-ST1-84 | SPSL-SS-ST2-84 |
| 96" 2438 | SPSL-SS-ST1-96 | SPSL-SS-ST2-96 |
| 108" 2743 | SPSL-SS-ST1-108 | SPSL-SS-ST2-108 |
| 120" 3048 | SPSL-SS-ST1-120 | SPSL-SS-ST2-120 |
| 132" 3353 | SPSL-SS-ST1-132 | SPSL-SS-ST2-132 |
| 144" 3658 | SPSL-SS-ST1-144 | SPSL-SS-ST2-144 |
| 156" 3962 | SPSL-SS-ST1-156 | SPSL-SS-ST2-156 |
| 168" 4267 | SPSL-SS-ST1-168 | SPSL-SS-ST2-168 |

EAGLE GROUP

100 Industrial Boulevard, Clayton, DE 19938-8903 USA

Phone: 302-653-3000 or 800-441-8440 • Fax: 302-653-2065

www.eaglegrp.com • www.eaglegrpnews.com • www.eaglehmc.com

Printed in U.S.A.
 ©2022 by Eagle Group

Rev. 10/22

Spec sheets available for viewing, printing or downloading from our online literature library at our websites

Although every attempt has been made to ensure the accuracy of the information provided, we cannot be held responsible for typographical or printing errors. Information and specifications are subject to change without notice. Please confirm at time of order.