



Profit from the Eagle Advantage®

Specification Sheet

Short Form Specifications

Eagle Group Spec-Bar® Soda Gun Holder, model #_____. Heavy gauge type 300 stainless steel body. No legs or feet, attaches to adjoining unit with screws (by others in field). Designed to fit Wunder-Bar® or Schroeder America™ 8-14 soda gun manifolds. Holder for soda gun with built-in drip pan with 3/8" drain, includes 20-ft. clear vinyl tubing. Full access to manifold and plumbing with removable top and side panel. 6" side-to-side. 21" height. Model #SGH-19 is 19" front-to-back. #SGH-24 is 24" front-to-back.



#SGH-19



#SGH-24

Item No.:	_____
Project No.:	_____
S.I.S. No.:	_____

Spec-Bar® Soda Gun Holders

MODELS:

- SGH-19
- SGH-24

Design & Construction Features:

- Type 300 series stainless steel construction
- Attaches to side of adjacent equipment (by others in field)
- Designed for Wunder-Bar® or Schroeder America™ 8-14 soda gun manifolds
- Built-in drip pan with 3/8" drain
- 20' clear vinyl tubing included
- Removable top and side panels
- Two models available to choose from

EAGLE GROUP

100 Industrial Boulevard, Clayton, DE 19938-8903 USA
 Phone: 302-653-3000 • 800-441-8440 • Fax: 302-653-2065
www.eaglegrp.com
www.eaglemhc.com



For custom configuration or fabrication needs, contact our **SpecFAB® Division**.
 Phone: 302-653-3000 • Fax: 302-653-2065 • e-mail: quotes@eaglegrp.com

EG40.67 Rev. 05/24

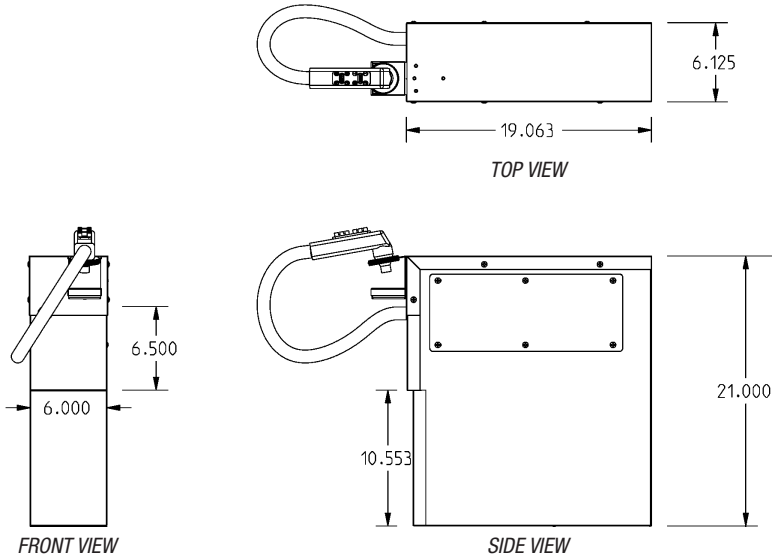
Spec sheets available for viewing, printing or downloading from our online literature library at our websites



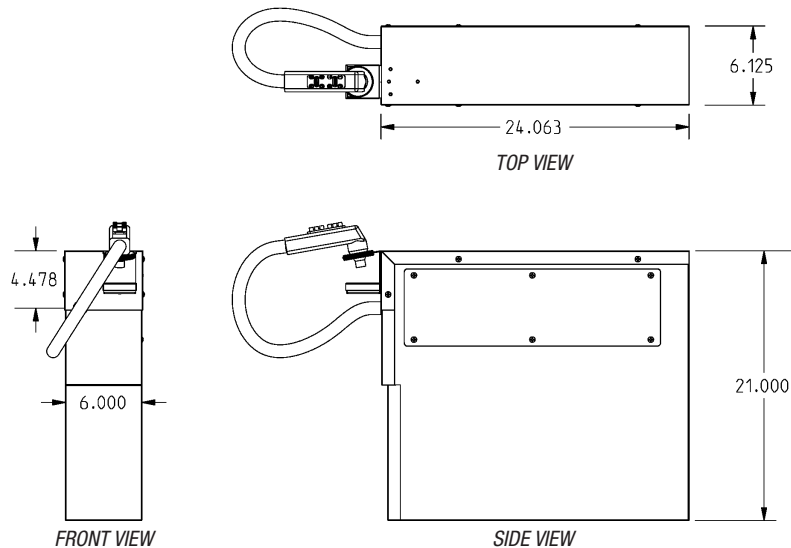
Item No.: _____
 Project No.: _____
 S.I.S. No.: _____

Spec-Bar® Soda Gun Holders

#SGH-19



#SGH-24



EAGLE GROUP
 100 Industrial Boulevard, Clayton, DE 19938-8903 USA
 Phone: 302-653-3000 or 800-441-8440 • Fax: 302-653-2065
 www.eaglegrp.com • www.eaglehmc.com

Printed in U.S.A.
 ©2024 by Eagle Group
 Rev. 05/24

Spec sheets available for viewing, printing or downloading from our online literature library at our websites

Although every attempt has been made to ensure the accuracy of the information provided, we cannot be held responsible for typographical or printing errors. Information and specifications are subject to change without notice. Please confirm at time of order.