



Profit from the Eagle Advantage®

Specification Sheet

Short Form Specifications

Eagle Group Spec-Bar® Dump Sink with Glass Rinser, model #_____. Heavy gauge type 300 stainless steel sink, body, legs, leg channels, and crossbracing. T&S splash-mount faucet. 1½" stainless steel IPS threaded drain with nut and washer. Glass rinser features a 4½"-diameter actuation disk and ½" NPT barbed fitting. Inline, preset pressure regulator provided. Removable perforated drainboard. Stainless steel adjustable bullet feet. Model DSGR-12-24 is 12" wide, with 9" x 9" x 4" sink. Model DSGR-18-24 is 18" wide, comes with 10" x 14" x 7" sink, and features dipper well with 1½" IPS drain and deck-mount faucet.



sink with glass rinser



sink with glass rinser and dipper well

Options / Accessories

- Pedestal base
- Scrap basket for sink

EAGLE GROUP

100 Industrial Boulevard, Clayton, DE 19938-8903 USA
 Phone: 302-653-3000 • 800-441-8440 • Fax: 302-653-2065
 www.eaglegrp.com
 www.eaglemhc.com

For custom configuration or fabrication needs, contact our **SpecFAB®** Division.
 Phone: 302-653-3000 • Fax: 302-653-2065 • e-mail: quotes@eaglegrp.com

Item No.: _____
 Project No.: _____
 S.I.S. No.: _____

Spec-Bar® Dump Sinks with Glass Rinser

MODELS:

- DSGR-12-24
- DSGR-18-24

Design & Construction Features:

- Type 300 series stainless steel construction
- T&S splash-mounted faucet
- 1½" stainless steel IPS threaded drain with nut and washer
- Glass rinser spray head features multi-outlet nozzle to ensure complete rinsing.
- 4½"-diameter actuation disk
- Inline preset pressure regulator
- Removable perforated drainboard
- Stainless steel adjustable bullet feet.

#DSGR-12-24 Features:

- 9" x 9" x 4" sink bowl
- 12" narrow width

#DSGR-18-24 Features:

- Dipper well, with independent 1½" stainless steel IPS threaded drain and deck-mount faucet
- 10" x 14" x 7" sink bowl
- 18" width

Certifications / Approvals



AutoQuotes



EG40.66 Rev. 05/24

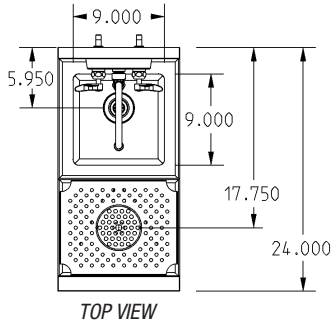
Spec sheets available for viewing, printing or downloading from our online literature library at our websites



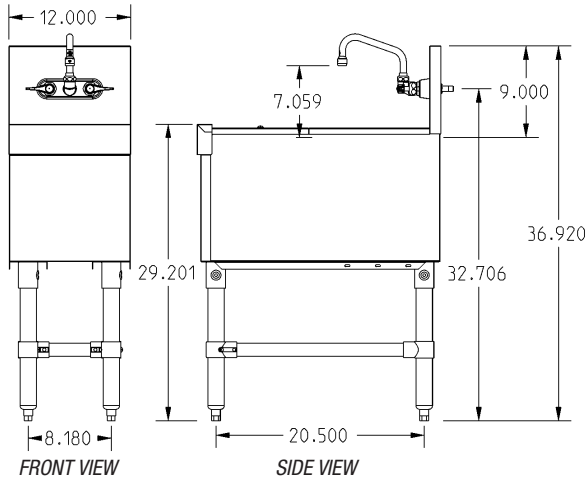
Item No.: _____
 Project No.: _____
 S.I.S. No.: _____

Spec-Bar® Dump Sinks with Glass Rinser

#DSGR-12-24



TOP VIEW

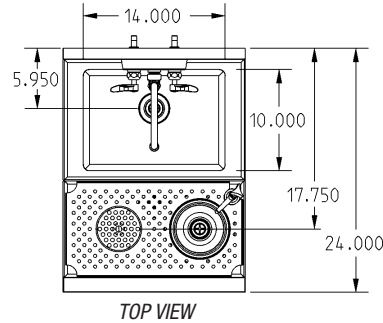


FRONT VIEW

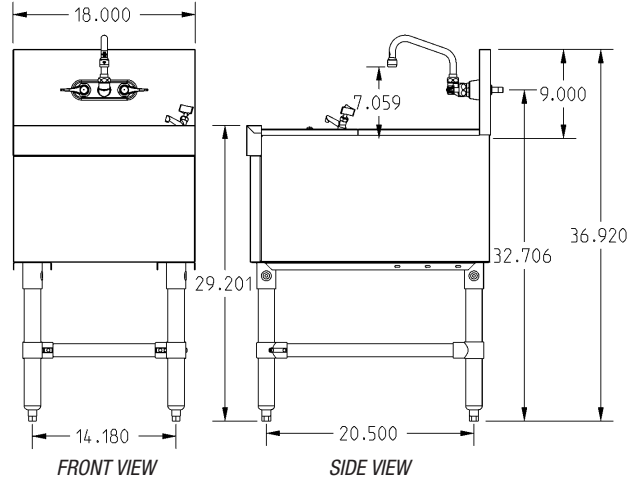
SIDE VIEW

O.A. size (width x length x height)		bowl size (width x length x depth)	
in.	mm	in.	mm
24" x 12" x 37"	610 x 305 x 939	9" x 9" x 4"	229 x 229 x 102

#DSGR-18-24



TOP VIEW



FRONT VIEW

SIDE VIEW

O.A. size (width x length x height)		bowl size (width x length x depth)	
in.	mm	in.	mm
24" x 18" x 37"	610 x 457 x 939	10" x 14" x 7"	254 x 356 x 178

EAGLE GROUP
 100 Industrial Boulevard, Clayton, DE 19938-8903 USA
 Phone: 302-653-3000 or 800-441-8440 • Fax: 302-653-2065
 www.eaglegrp.com • www.eaglehmc.com

Printed in U.S.A.
 ©2024 by Eagle Group

Rev. 05/24

Spec sheets available for viewing, printing or downloading from our online literature library at our websites

Although every attempt has been made to ensure the accuracy of the information provided, we cannot be held responsible for typographical or printing errors. Information and specifications are subject to change without notice. Please confirm at time of order.