



Profit from the Eagle Advantage®

# Specification Sheet

## Short Form Specifications

Eagle Group Spec-Bar® Glass Rinser, model # \_\_\_\_\_.  
Heavy gauge type 300 stainless steel pan with safety edges. Glass rinser features a 4½"-diameter actuation disk, comes with 12" long braided stainless hose with a ¾" compression fitting and a ½" FIP fitting. Inline, preset pressure regulator provided. Removable stainless steel trough cover. ½" drain with barbed drain fitting provided. Model #BTGR is a bar top rinser. Model #UBGR features reinforced bracket with holes for mounting under bar top.



#BTGR bar top glass rinser



#UBGR underbar glass rinser

Item No.:	_____
Project No.:	_____
S.I.S. No.:	_____

## Spec-Bar® Glass Rinsers

### MODELS:

- BTGR
- UBGR

### Design & Construction Features:

- Type 300 series stainless steel construction
- 4½"-diameter actuation disk
- ½" FNPT stainless steel fitting welded to pan for drain
- Inline preset pressure regulator
- Removable stainless steel trough cover

### #BTGR Bar Top Glass Rinser:

- 6⅞" x 6⅞" overall size

### #UBGR Underbar Glass Rinser:

- Includes reinforced bracket for mounting to underside of bar

### EAGLE GROUP

100 Industrial Boulevard, Clayton, DE 19938-8903 USA  
 Phone: 302-653-3000 • 800-441-8440 • Fax: 302-653-2065  
 www.eaglegrp.com  
 www.eaglehmc.com



For custom configuration or fabrication needs, contact our **SpecFAB® Division**.  
 Phone: 302-653-3000 • Fax: 302-653-2065 • e-mail: quotes@eaglegrp.com

EG40.64 Rev. 05/24

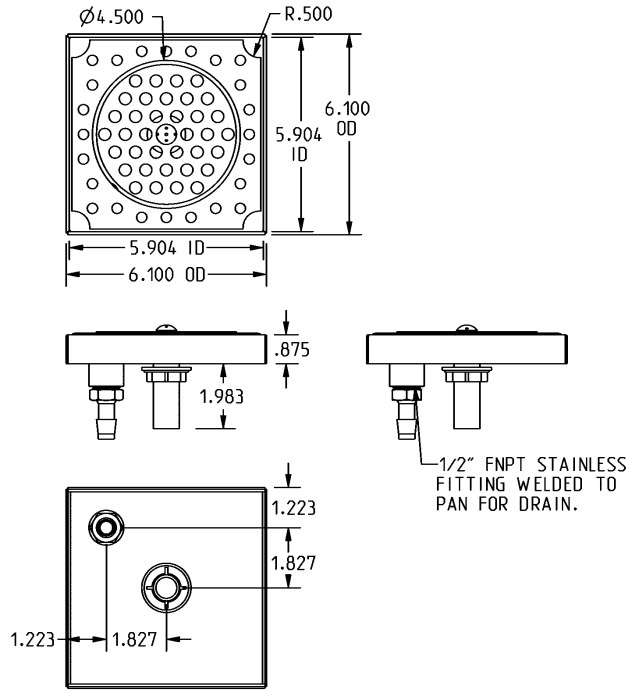
**Spec sheets available for viewing, printing or downloading from our online literature library at our websites**



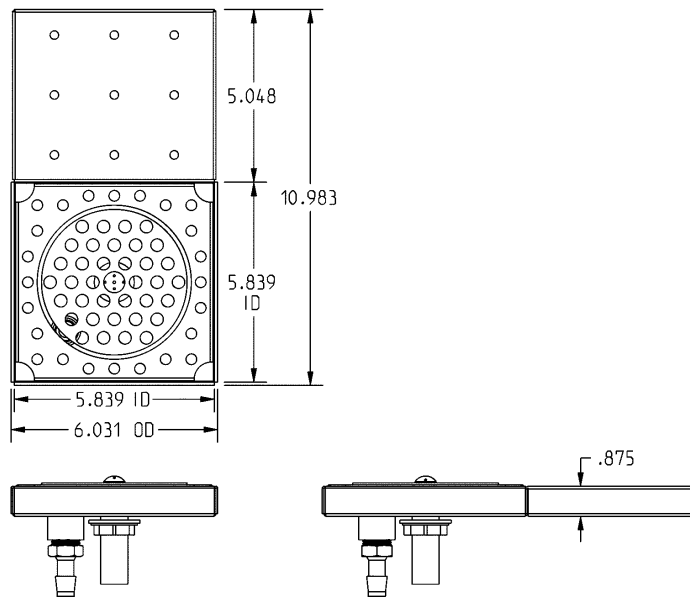
Item No.: \_\_\_\_\_  
 Project No.: \_\_\_\_\_  
 S.I.S. No.: \_\_\_\_\_

## Spec-Bar® Glass Rinsers

### #BTGR Bar Top Glass Rinsers



### #UBGR Underbar Glass Rinsers



**EAGLE GROUP**  
 100 Industrial Boulevard, Clayton, DE 19938-8903 USA  
 Phone: 302-653-3000 or 800-441-8440 • Fax: 302-653-2065  
 www.eaglegrp.com • www.eaglehmc.com

Printed in U.S.A.  
 ©2024 by Eagle Group

Rev. 05/24

Spec sheets available for viewing, printing or downloading from our online literature library at our websites

Although every attempt has been made to ensure the accuracy of the information provided, we cannot be held responsible for typographical or printing errors. Information and specifications are subject to change without notice. Please confirm at time of order.