



Profit from the Eagle Advantage®

Phone: (800) 441-8440 • (302) 653-3000

FAX: (302) 653-2065

Product Announcement

Short Form Specifications

Eagle Sloped Mobile Ice Caddy, model _____.
Top and body are heavy gauge stainless steel. Ice storage bin is type 304 stainless steel, fully insulated, isolated from exterior with thermoplastic plastic breaker strips, 19" front-to-back and 17" deep, with pan sloped to a 1" NPS drain connection with ball valve, hinged lift-off cover and 5"-diameter casters—two with brakes.

Item #:	_____
Model #:	_____
Project #:	_____
SIS #:	_____

EG8228 Rev. 03/24



Sloped Mobile Ice Caddies

Design and Construction Features

- Stainless steel construction
- 1" (25mm) drain with ball valve
- Foamed in place insulated ice bin
- Hinged lift-off cover
- 5" (127mm) casters – two with brake
- #SLMIC1830 ice bin is 18" x 30" x 31⁵/₁₆" (457 x 762 x 795mm)
- #SLMIC1830 ice bin is 24" x 30" x 31⁵/₁₆" (610 x 762 x 795mm)
- #SLMIC1830 ice bin is 30" x 30" x 31⁵/₁₆" (762 x 762 x 795mm)



#SLMIC2430

Features include...



hinged lift-off cover



1" drain with ball valve



5" swivel casters, two with brake

For custom configuration or fabrication needs, contact our **SpecFAB® Division**.

Phone: (302) 653-3000. FAX: (302) 653-2065.

E-mail: quotes@eaglegrp.com

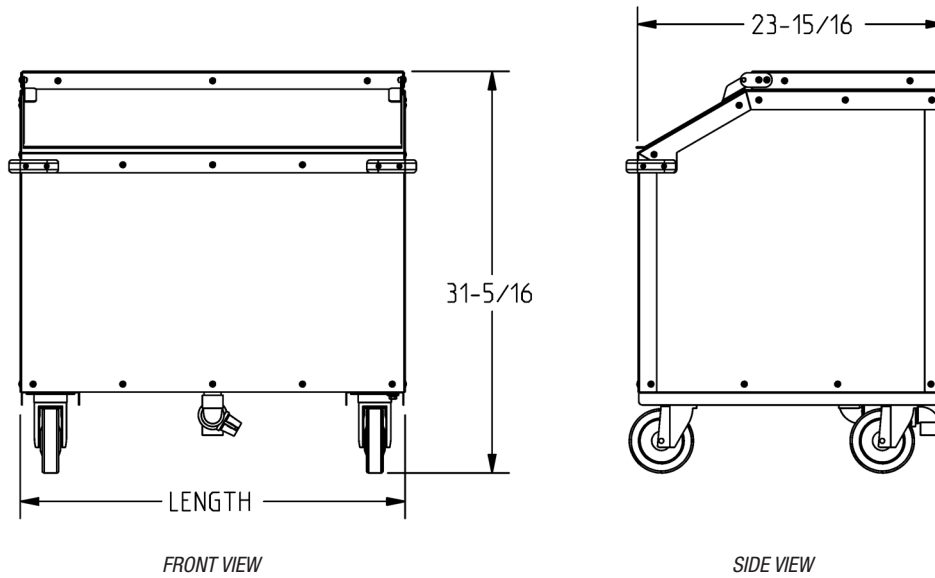
Ideal for any place which serves ice cold beverages, from restaurants and bars to indoor and outdoor venues in which portability is a must, Eagle's NEW Sloped Mobile Ice Caddies will meet your needs! Stainless steel construction is durable as well as attractive. Hefty 5" casters, two with brake, allow for easy mobility. Insulated high-capacity ice bin will keep your operation stocked with ice for hours. Bottom pan slopes to a 1" NPS drain with ball valve.





Profit from the Eagle Advantage®

Sloped Mobile Ice Caddies



model #	width		length		weight		ice capacity	
	in.	mm	in.	mm	lbs.	kg	lbs.	kg
SLMIC1830	18"	458	30"	762	175	79.4	98.6	44.8
SLMIC2430	24"	610	30"	762	190	86.2	131.6	59.7
SLMIC3030	30"	762	30"	762	205	93.0	164.5	74.6

Printed in U.S.A.
©2024 by Eagle Group

EG8228 Rev. 03/24

Phone: (800) 441-8440 or (302) 653-3000 • Fax: (302) 653-2065 • www.eaglegrp.com • www.eaglehc.com

Although every attempt has been made to ensure the accuracy of the information provided, we cannot be held responsible for typographical or printing errors. Information and specifications are subject to change without notice. Please confirm at time of order.