

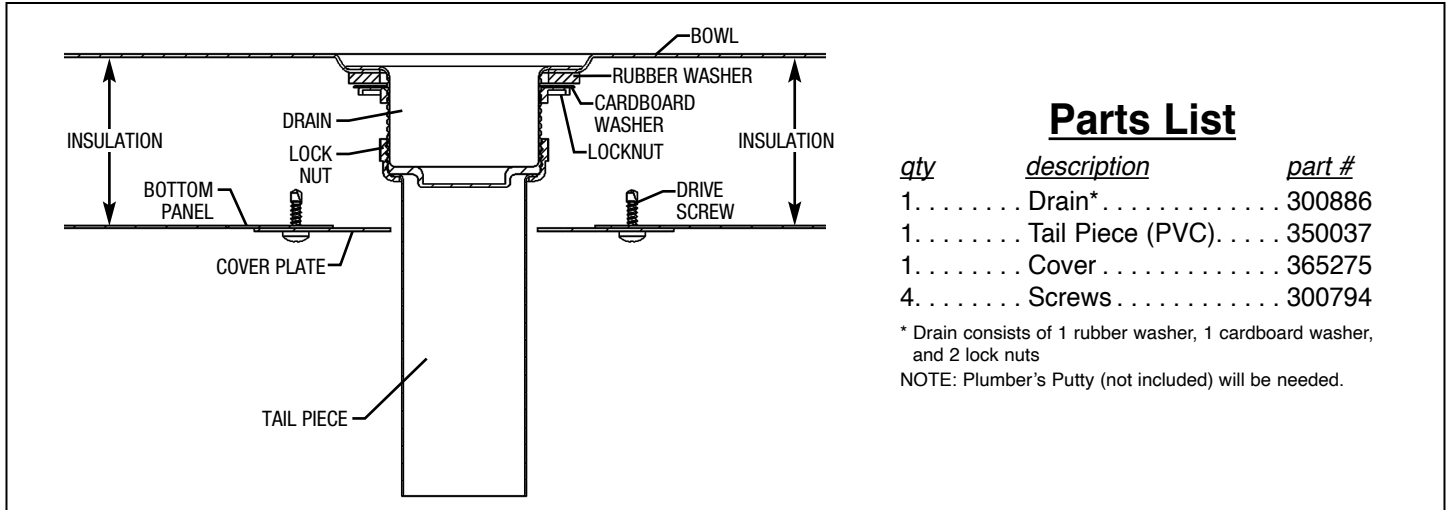
# Drain - Underbar

Non-Cold Plate Models

## ASSEMBLY INSTRUCTIONS

### CAUTION

INSPECT CONTENTS IMMEDIATELY AND FILE CLAIM WITH DELIVERING CARRIER FOR ANY DAMAGE. **SAVE YOUR BOX AND ALL PACKING MATERIALS.** YOU ARE RESPONSIBLE FOR DAMAGE TO YOUR UNIT IF RETURNED IMPROPERLY PACKED.

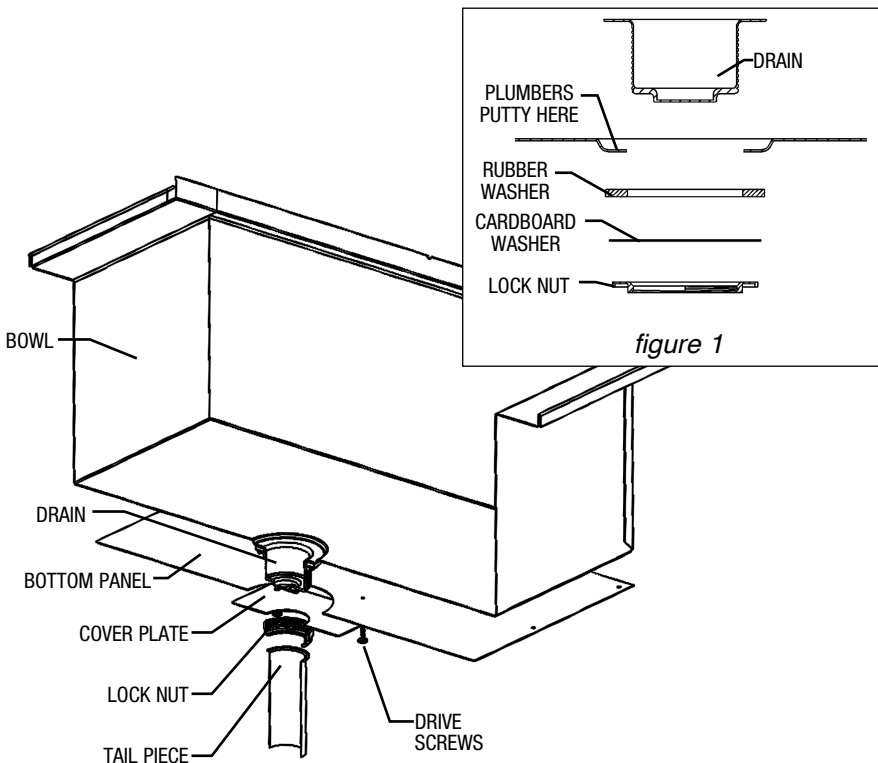


### Parts List

qty	description	part #
1	Drain*	300886
1	Tail Piece (PVC)	350037
1	Cover	365275
4	Screws	300794

\* Drain consists of 1 rubber washer, 1 cardboard washer, and 2 lock nuts

NOTE: Plumber's Putty (not included) will be needed.



### 1) Cover Plate

Remove cover plate from bottom of unit by removing all four drive screws from the bottom panel. This will make the drain hole visible.

### 2) Drain

See *figure 1* at left. Apply plumber's putty to drain hole sump. Next, lower drain into drain hole. From underside of sink drain, install the rubber washer and cardboard washer in between the drain and the lock nut. Screw the lock nut onto drain.

### 3) Tail Piece

Put tail piece onto drain. Screw large PVC nut onto drain. Ensure that insulation gets pulled close to drain assembly.

### 4) Final Step

Reinstall cover plate with drive screws. Be sure to seal or tape where bottom panel and tail piece intersect.

