

Hand Sink with Eye Wash

ASSEMBLY INSTRUCTIONS

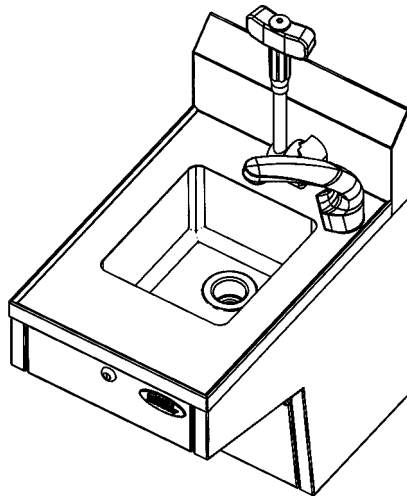
CAUTION

INSPECT CONTENTS IMMEDIATELY AND FILE CLAIM WITH DELIVERING CARRIER FOR ANY DAMAGE. **SAVE YOUR BOX AND ALL PACKING MATERIALS.** YOU ARE RESPONSIBLE FOR DAMAGE TO YOUR UNIT IF RETURNED IMPROPERLY PACKED.

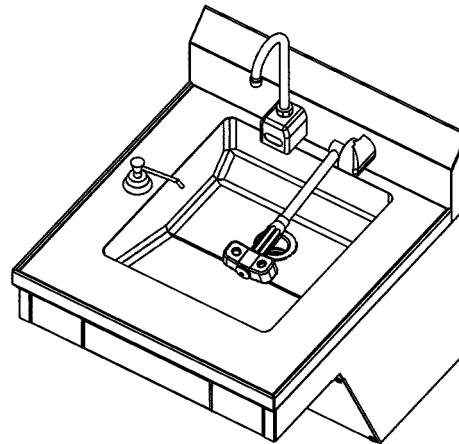
Thank you for your purchase. Before assembly, read this instruction manual carefully to ensure correct use. After reading, be sure to store this instruction in a safe place, should it be needed for future reference.

Tools & Materials Needed:

- | | |
|--|--------------------------------|
| 1. Medium-size pipe wrench | 5. (8) 1/4" washers |
| 2. (2) Medium-size adjustable wrenches | 6. (4) "AA" Alkaline batteries |
| 3. #2 Phillips screwdriver | 7. Telfon tape or paste |
| 4. (8) 1/4"x2-1/2" lag bolts | 8. Plumber's Putty |



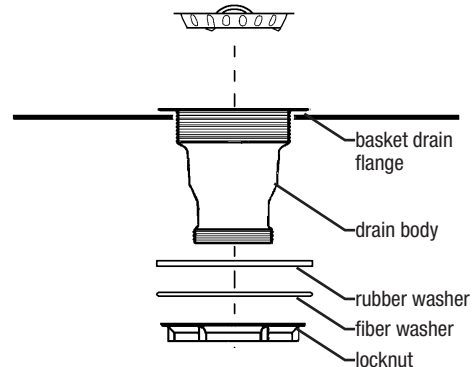
#HSAP-10-EYE



#HSAP-14-EYE

Step 1 - Install drain basket into sink bowl.

- Place a bead of plumber's putty (not supplied) to under-side of basket drain flange.
- Press drain firmly into sink bowl.
- Install:
 - Rubber washer.
 - Fiber washer
 - Locknut
- Tighten locknut securely, making sure the rubber washer doesn't get squeezed out of position.
- Wipe away excess putty.



(continued on next page) 

EG10105 Revised 01/24

Hand Sink with Eye Wash

ASSEMBLY INSTRUCTIONS

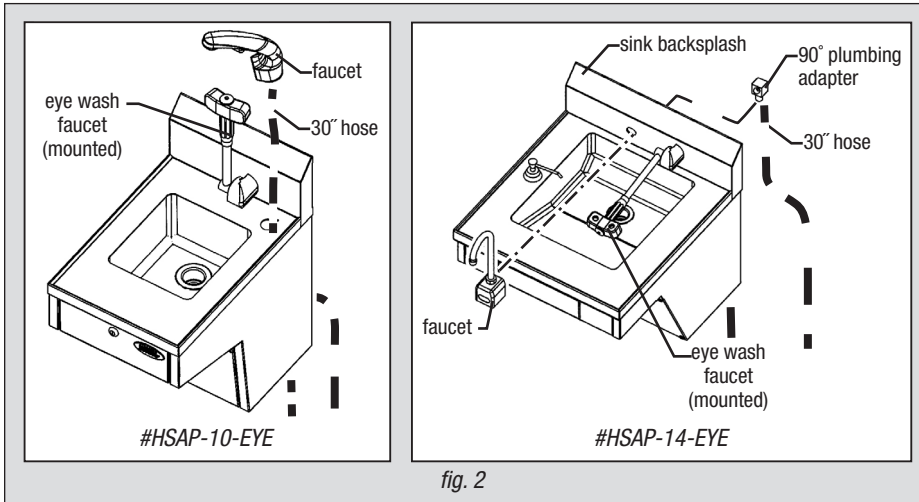
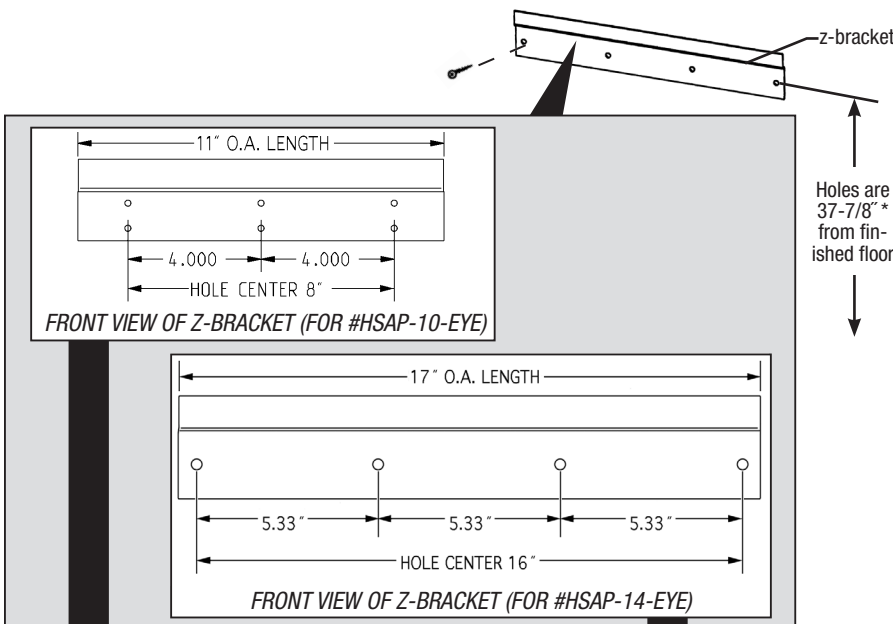


fig. 2

Step 2 - Mount faucet and eyewash faucet, per manufacturer's instructions.

(Refer to fig. 2).

- A. Recommend plumber's putty (not included) between backsplash and faucet body.
- B. For #HSAP-14-EYE sink, attach NPSM 90° plumbing adapter to threaded stem at rear of faucet. Attach 30" hose to adapter.
- C. Use Teflon tape (not included) on threads.



Step 3 - Attach sink to wall.

NOTE: Failure to attach sink assembly to wall studs and/or structural blocking will result in fixture falling to floor.

- A. Mount z-bracket to wall.
 1. Using a level for straightness, mark and drill holes 37-7/8" from floor*.
 2. Recommend #10 sheet metal screws, minimum 2-1/4" long (not included).

* For 34" working height. Adjust as needed for local code requirements.

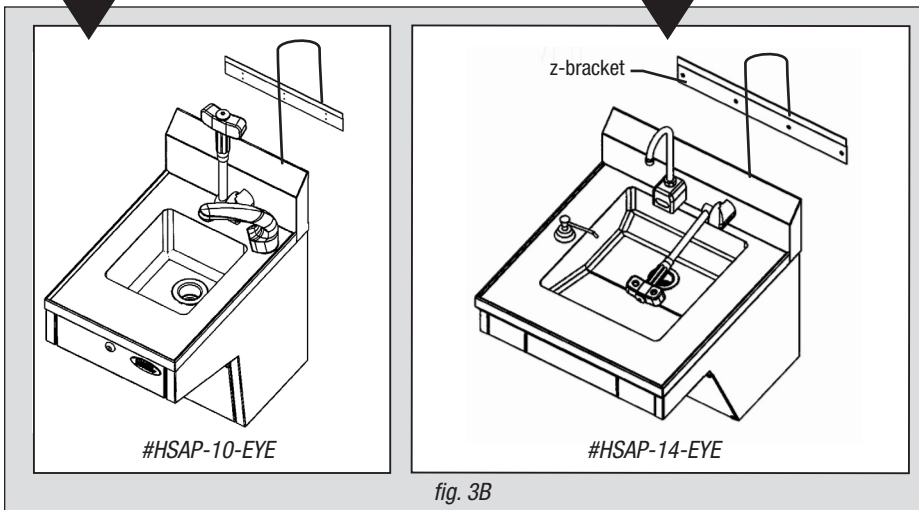


fig. 3B

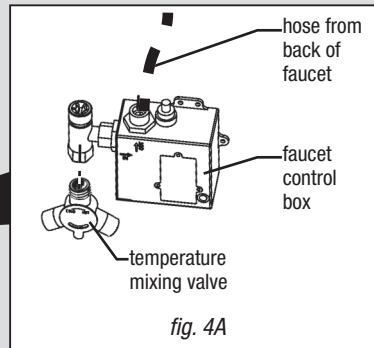
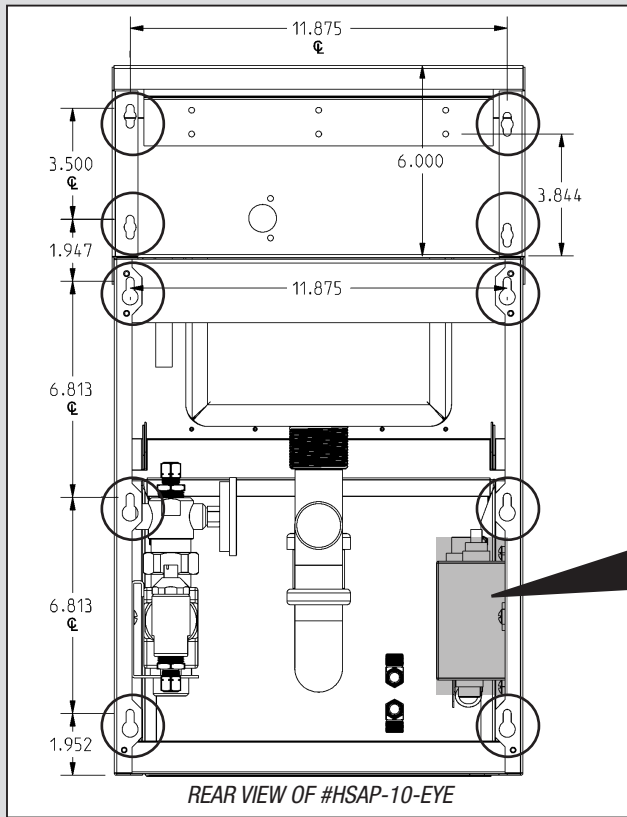
- B. Set faucet/base assembly onto z-bracket (refer to fig. 3B). Press sink down firmly to seat sink onto z-bracket. Top of sink backsplash should measure approximately 40" from floor.

(continued on next page)

Hand Sink with Eye Wash

ASSEMBLY INSTRUCTIONS

HOLES (CIRCLED) FOR MOUNTING BASE FRAME TO WALL



Step 3 - Attach sink to wall (continued).

C. Mount base frame to wall with 1/4" lag bolts (not included), minimum 2-1/4" long, through holes in base frame (see fig. 3C).

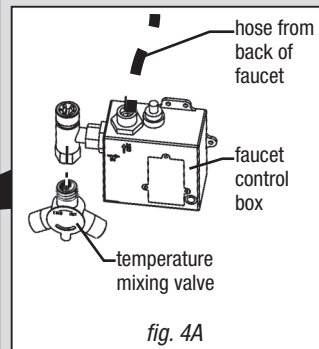
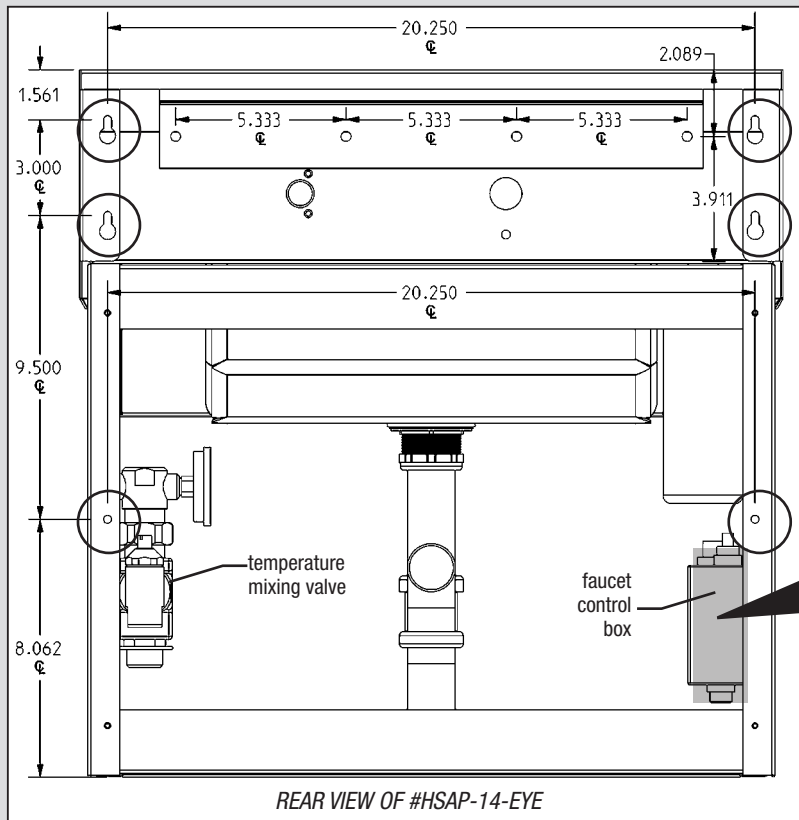
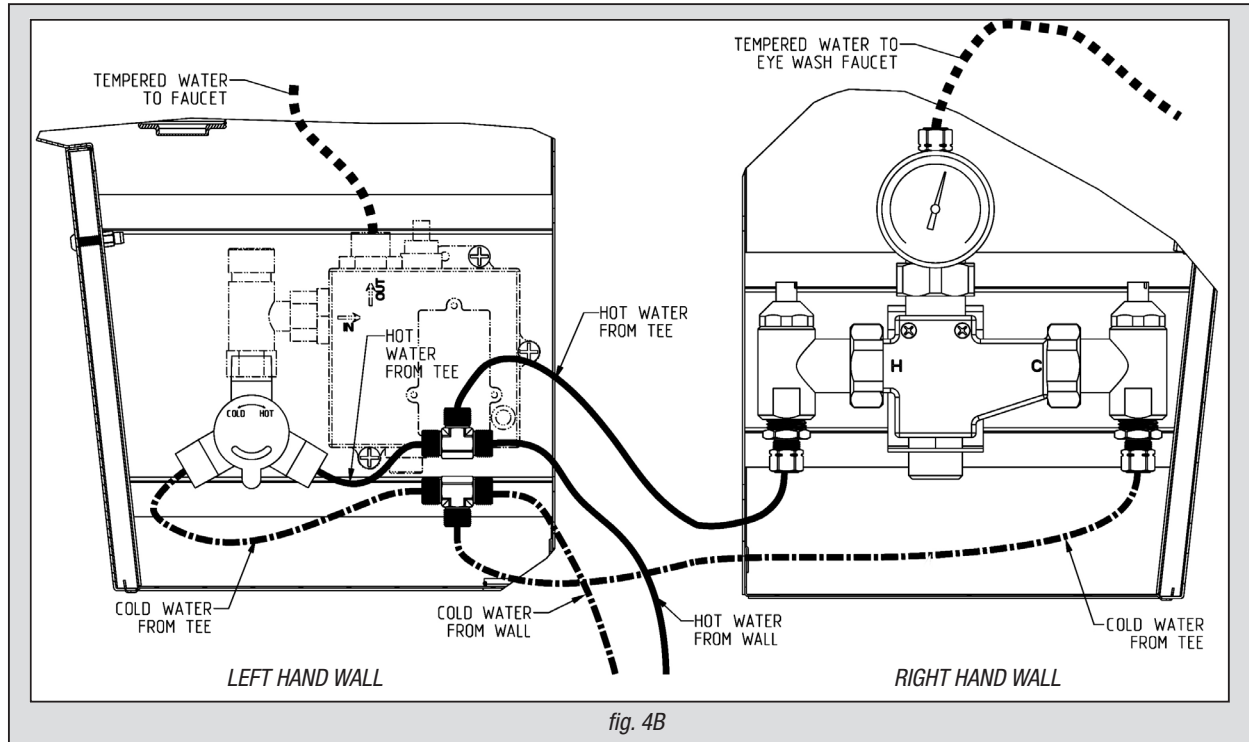


fig. 3C

(continued)

Hand Sink with Eye Wash

ASSEMBLY INSTRUCTIONS



CAUTION:

BEFORE ATTACHING SUPPLY LINES, THOROUGHLY FLUSH WATER AT WALL TAPS TO PREVENT DAMAGE TO FAUCETS AND CONTROLLERS.

Step 4 - Connect water and electrical lines.

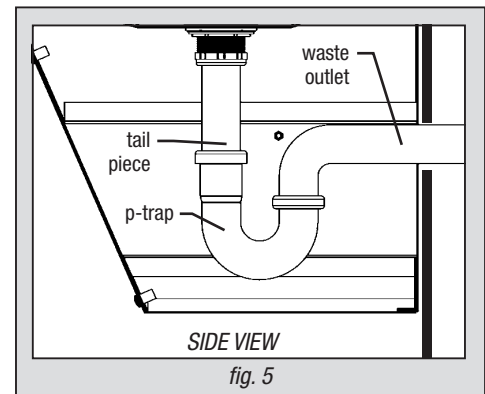
- Attach temperature mixing valve to faucet control box (see *fig. 4A* on previous page), per faucet instructions.
- Attach hose from back of faucet to top of control box (see *fig. 4B* above), per faucet instructions.
- Mount faucet control box to side of base frame (see *fig. 3C* on previous page) with the three #10-32 screws (provided).

NOTE: From this point on, refer to *fig. 4B* above. . .

- Connect the hose with the red stripe to the mixing valve on the control box marked "hot".
- Connect the hose with the blue stripe to the mixing valve on the control box marked "cold".
- Connect other end to the 3/8" compression tee. Discard all compression nuts and rings.
- Connect end of 12" hose to other side of 3/8" compression tee.
- Using second 12" hose, connect the 3/8" compression tee to the supply valve on the wall.
- Follow instructions for faucet electrical connections and setting information.

Step 5 - Plumb drain to waste outlet, referring to *fig. 5*.

- Install tail piece.
- Install P-trap between tail piece and waste outlet in wall.
- Tighten all fittings.
- Check for leaks in both supply and drain lines.
- Reinstall enclosure panel in base.



(End)