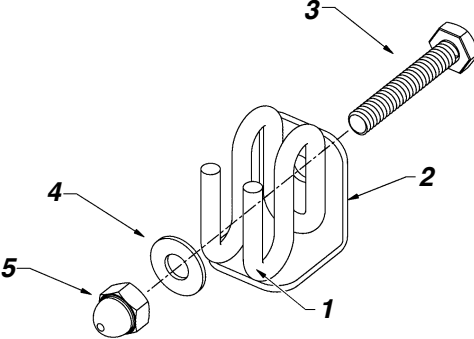


Security S-Hooks

ASSEMBLY INSTRUCTIONS

CAUTION

INSPECT CONTENTS IMMEDIATELY AND FILE CLAIM WITH DELIVERING CARRIER FOR ANY DAMAGE. **SAVE YOUR BOX AND ALL PACKING MATERIALS.** YOU ARE RESPONSIBLE FOR DAMAGE TO YOUR UNIT IF RETURNED IMPROPERLY PACKED.



Parts List

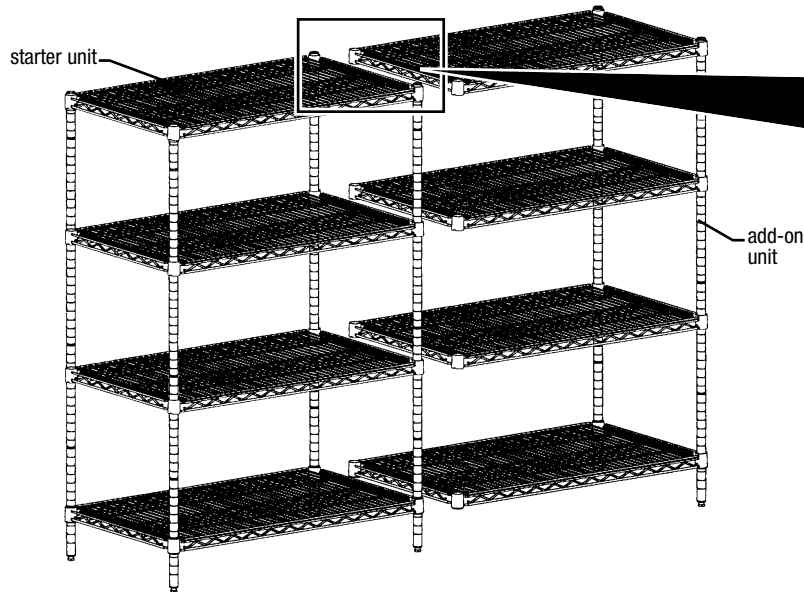
item #	part #	description	qty
1	A200012	"S" hook	1
2	375868	latch	1
3	320175	1/4-20 x 1.5 hex bolt	1
4	313895	1/4" flat washer	1
5	313482	1/4-20 acorn nut	1

Tools needed: 7/16" wrench or socket

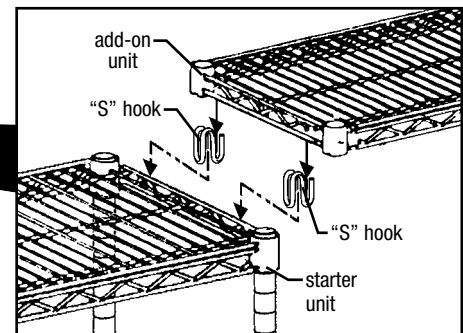
Please note before assembly: Security S-Hooks are for wire shelves only.

Step 1 - Position add-on unit next to starter unit.

- Make sure the two shelves that are to be connected are next to each other.

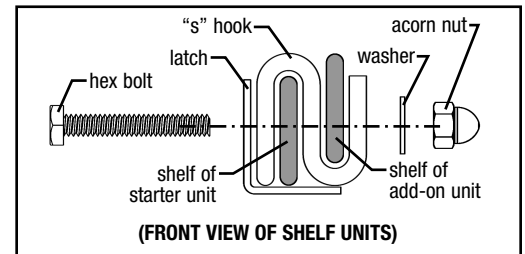


Step 2 - Assemble as shown.



Step 3 - Attach hardware.

- Position latch next to s-hook as shown.
- Run bolt through latch, s-hook, shelves and washer, and screw into acorn nut as shown.
- Tighten hardware with 7/16" wrench or socket.



Repeating Steps 1-3, install additional Security S-Hooks as desired.

(End)