

ASSEMBLY INSTRUCTIONS

CAUTION

INSPECT CONTENTS IMMEDIATELY AND FILE CLAIM WITH DELIVERING CARRIER FOR ANY DAMAGE. **SAVE YOUR BOX AND ALL PACKING MATERIALS.** YOU ARE RESPONSIBLE FOR DAMAGE TO YOUR UNIT IF RETURNED IMPROPERLY PACKED.

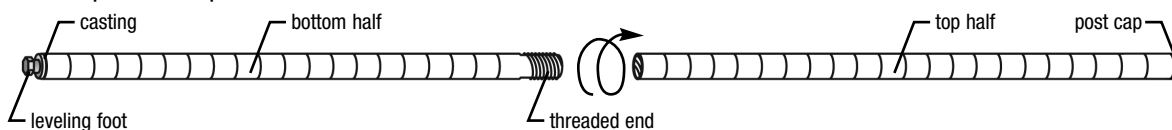
Thank you for your purchase. Before assembly, read this instruction manual carefully to ensure correct use. After reading, be sure to store this instruction in a safe place, should it be needed for future reference.

Before you begin assembling unit, posts must be assembled.

After assembly of all four posts, proceed to Step 1.

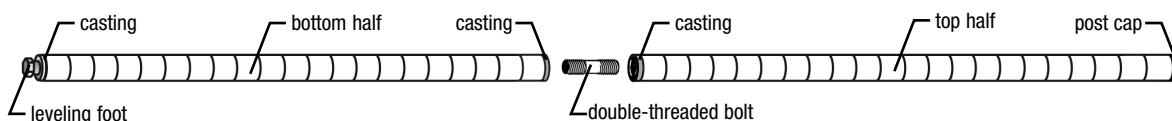
Posts for Redi-Pak® units with chrome and zinc finish

Bottom halves feature leveling foot and threaded tubing. Top halves feature post cap. Screw bottom half of each post into top half.



Posts for Redi-Pak® units with all other finishes

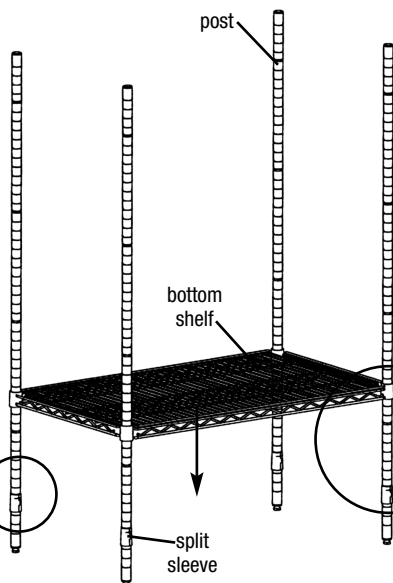
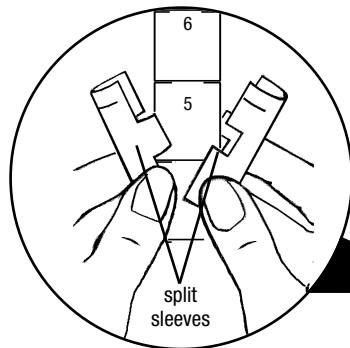
Bottom halves feature leveling foot and casting on both ends. Top halves feature one casting and post cap. Screw one end of double-threaded rod into bottom half of each post, and one end into top half.



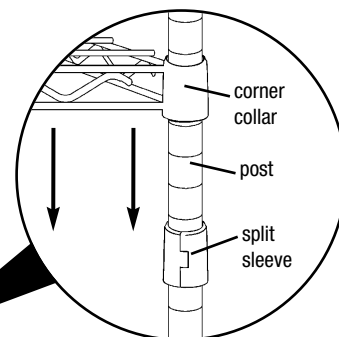
Step 1 - Attach split sleeves (for bottom shelf) to posts at desired height.

- The wider part of the taper goes toward the bottom.
- Make sure rib on split sleeve is seated into a groove on the post.

Note: The number covered by the split sleeve indicates approximate height of shelf.



Step 2 - Mount bottom shelf.

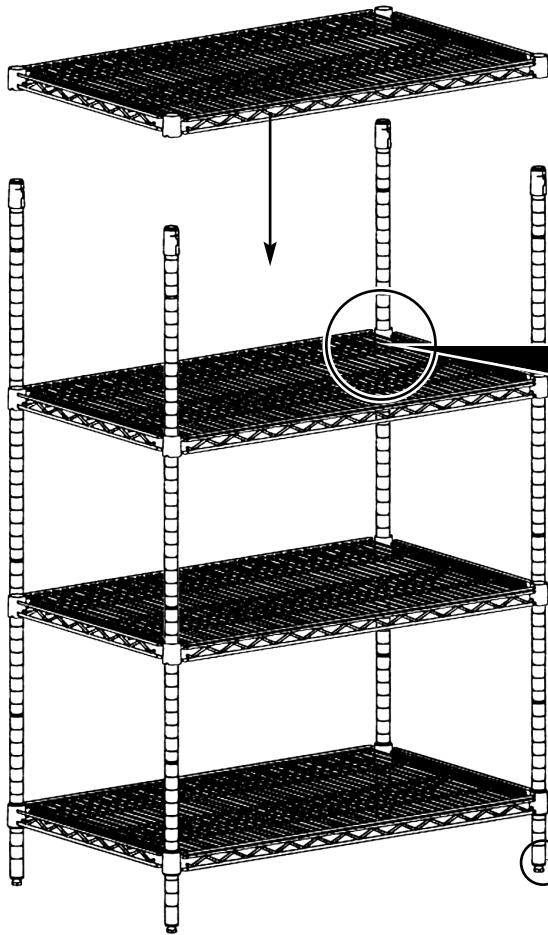


(continued on back page)

EG9832 Revised 02/24

RediPak® Shelving

ASSEMBLY INSTRUCTIONS

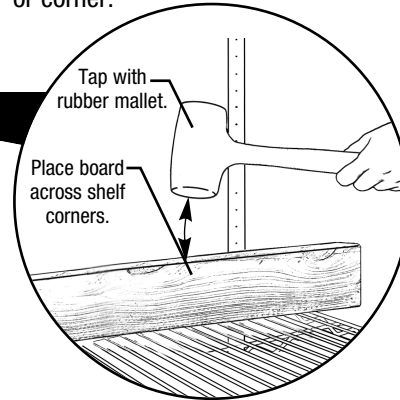


Step 3: Mount additional shelves.

Refer to Steps 1 & 2 (front page), working from bottom to top.

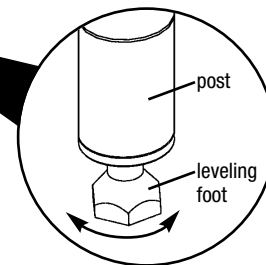
Step 4: Securely seat all shelves.

Note: Do NOT hammer directly on wire or corner.



Step 5: Level unit.

The leveling bolts allow approximately 1/2" adjustment.



(End)

WARNING – TIPPING HAZARD

- Use caution when moving heavily loaded carts. Heavy loads are hard to control.
- Do not step, stand or climb on shelving units.
- Place heavy objects on lowest shelf.

Failure to follow these guidelines can result in property damage or personal injury.



• 100 Industrial Boulevard, Clayton, Delaware 19938-8903 U.S.A.
• Phone: 302/653-3000 • 800/441-8440 • Fax: 302/653-2065
• www.eaglegrp.com • www.eaglehmc.com

Eagle Foodservice Equipment, Eagle MHC, and SpecFAB® are divisions of Eagle Group. ©2024 by the Eagle Group