

# Narrow Hand Sink with Skirt

## ASSEMBLY INSTRUCTIONS

For Hand Sink with Tubular Base, see next page.

### CAUTION

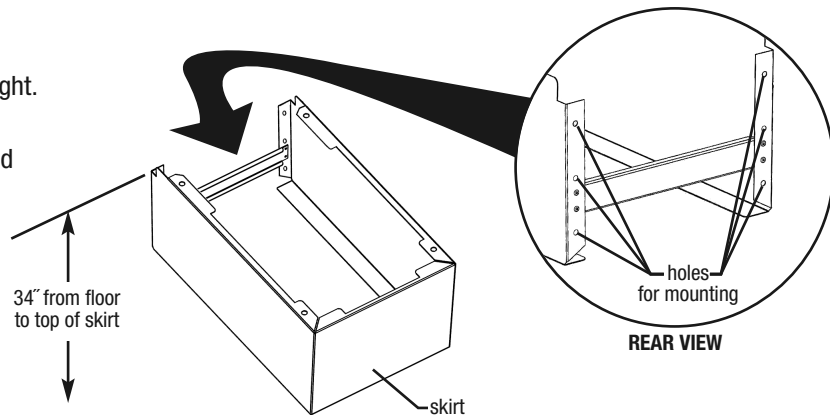
INSPECT CONTENTS IMMEDIATELY AND FILE CLAIM WITH DELIVERING CARRIER FOR ANY DAMAGE. **SAVE YOUR BOX AND ALL PACKING MATERIALS.** YOU ARE RESPONSIBLE FOR DAMAGE TO YOUR UNIT IF RETURNED IMPROPERLY PACKED.

#### Please note before assembly:

Remove the locking nuts from underside of hand sink and set aside.

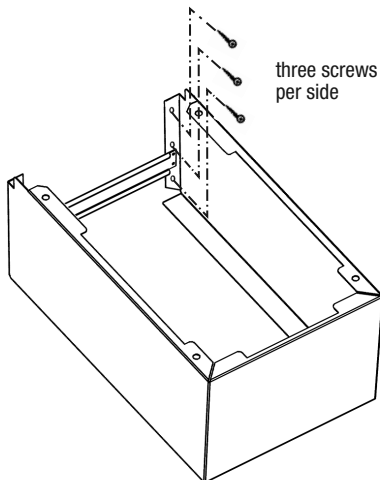
### Step 1 - Mark holes for skirt.

- Mark 34" from floor, indicating working height. Use a level for straightness.
- Temporarily hold skirt to wall as shown, and mark location of holes.

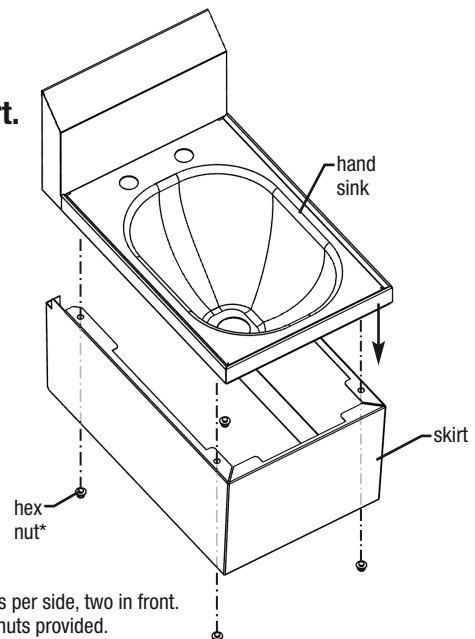


### Step 2 - Mount skirt to wall.

(Note: Mounting hardware not included.)



### Step 3 - Mount hand sink to skirt.



(End)

EG9947 Revised 01/24

# Narrow Hand Sink with Tubular Supports

## ASSEMBLY INSTRUCTIONS

For Narrow Hand Sink with Skirt, see previous page.

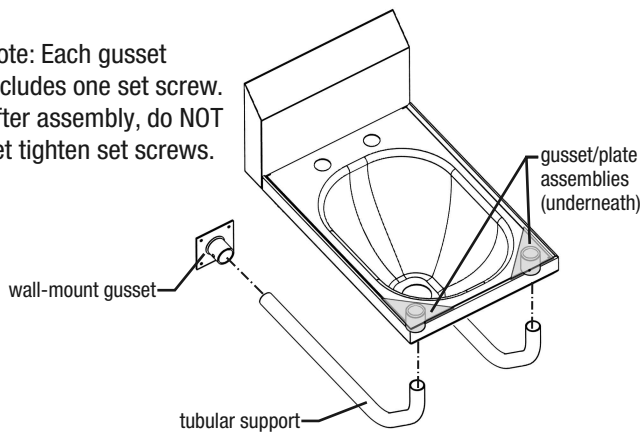
### CAUTION

INSPECT CONTENTS IMMEDIATELY AND FILE CLAIM WITH DELIVERING CARRIER FOR ANY DAMAGE. **SAVE YOUR BOX AND ALL PACKING MATERIALS.** YOU ARE RESPONSIBLE FOR DAMAGE TO YOUR UNIT IF RETURNED IMPROPERLY PACKED.

### Step 1 - Assemble tubular supports to sink.

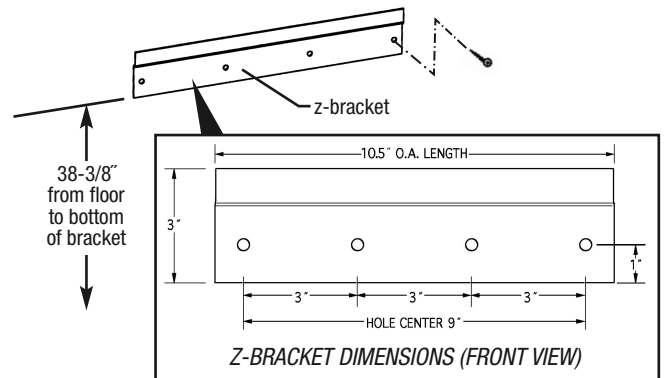
- Insert tubular supports into wall mounted gussets.
- Insert other end of tubular supports into gusset/plate assemblies located underneath sink deck.

Note: Each gusset includes one set screw. After assembly, do NOT yet tighten set screws.

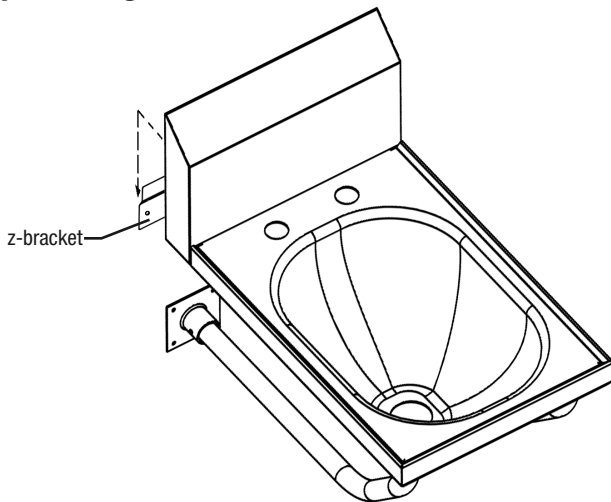


### Step 2 - Mount z-bracket to wall.

Use a level for straightness.  
(Note: Mounting hardware not included.)

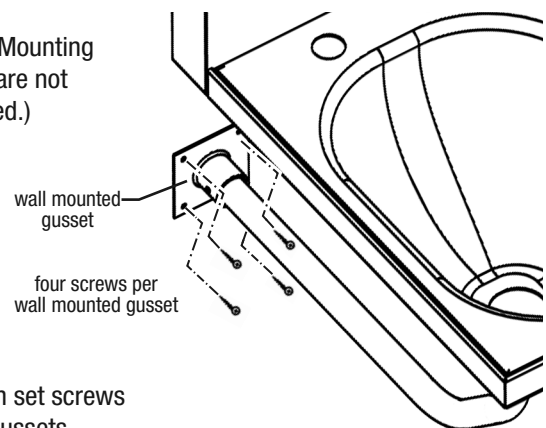


### Step 3 - Hang sink off z-bracket.



### Step 4 - Secure wall-mounted gussets to wall.

(Note: Mounting hardware not included.)



Tighten set screws of all gussets.

(End)