



Profit from the Eagle Advantage®

Specification Sheet

Short Form Specifications

Eagle Floor Trough with fiberglass grating, model _____ . Unit constructed of 14/304 stainless steel all-welded construction. Drain pan has built-in pitch towards drain, accommodates up to a 4" diameter pipe, and comes standard with a stainless steel removable perforated basket. Fiberglass grating to be 1" high yellow polyester material with a non-slip grit top surface. Tapered "I" beam construction for ease of cleaning and drainage. Gray color grating available.



model #FT-1248-FG
floor trough with fiberglass grating



model #FD-FG
floor drain (with grating removed)

Options / Accessories

- Gray color fiberglass grating
- ADA-compliant grating (for Floor Troughs)

EAGLE GROUP
 100 Industrial Boulevard, Clayton, DE 19938-8903 USA
 Phone: 302-653-3000 • 800-441-8440 • Fax: 302-653-2065
www.eaglegrp.com
www.eaglegrpnews.com
www.eaglegrp.com
www.eaglegrp.com

For custom configuration or fabrication needs, contact our SpecFAB® Division.
 Phone: 302-653-3000 • Fax: 302-653-2065 • e-mail: quotes@eaglegrp.com

Item No.:	_____
Project No.:	_____
S.I.S. No.:	_____

Floor Troughs and Floor Drains with Yellow Fiberglass Grating

MODELS

- | | | | |
|-------------------------------------|--------------------------------------|--------------------------------------|--------------------------------------|
| <input type="checkbox"/> FD-FG | <input type="checkbox"/> FT-12120-FG | <input type="checkbox"/> FT-1824-FG | <input type="checkbox"/> FT-2430-FG |
| <input type="checkbox"/> FT-1218-FG | <input type="checkbox"/> FT-1524-FG | <input type="checkbox"/> FT-1830-FG | <input type="checkbox"/> FT-2436-FG |
| <input type="checkbox"/> FT-1224-FG | <input type="checkbox"/> FT-1530-FG | <input type="checkbox"/> FT-1836-FG | <input type="checkbox"/> FT-2448-FG |
| <input type="checkbox"/> FT-1230-FG | <input type="checkbox"/> FT-1536-FG | <input type="checkbox"/> FT-1848-FG | <input type="checkbox"/> FT-2460-FG |
| <input type="checkbox"/> FT-1236-FG | <input type="checkbox"/> FT-1548-FG | <input type="checkbox"/> FT-1860-FG | <input type="checkbox"/> FT-2472-FG |
| <input type="checkbox"/> FT-1248-FG | <input type="checkbox"/> FT-1560-FG | <input type="checkbox"/> FT-1872-FG | <input type="checkbox"/> FT-2484-FG |
| <input type="checkbox"/> FT-1260-FG | <input type="checkbox"/> FT-1572-FG | <input type="checkbox"/> FT-1884-FG | <input type="checkbox"/> FT-2496-FG |
| <input type="checkbox"/> FT-1272-FG | <input type="checkbox"/> FT-1584-FG | <input type="checkbox"/> FT-1896-FG | <input type="checkbox"/> FT-24120-FG |
| <input type="checkbox"/> FT-1284-FG | <input type="checkbox"/> FT-1596-FG | <input type="checkbox"/> FT-18120-FG | |
| <input type="checkbox"/> FT-1296-FG | <input type="checkbox"/> FT-15120-FG | <input type="checkbox"/> FT-2424-FG | |

Floor Troughs

- 14 gauge type 304 stainless steel all-welded construction.
- Built-in pitch towards drain insures complete drainage.
- Stainless steel drain accommodates up to a 4" (102mm) diameter pipe, and features a removable perforated stainless steel basket.
- Comes with subway-style yellow fiberglass grating.
- Floor Troughs with Gray Fiberglass Grating available (in place of yellow). To order, add suffix "G" to model number of trough with yellow fiberglass grating. Example: FT-1224-FGG
- Optional ADA-compliant Grating* available. To order, add suffix "-ADA" to model number of trough with fiberglass or stainless steel grating. Example: FT-1224-FG-ADA
- Custom sizes available.

Floor Drain

- 14 gauge type 304 stainless steel construction.
- Highly polished covered corners.
- Perforated drain can be inverted to double as a bee hive strainer.
- Drain accommodates up to a 4" (102mm)-diameter waste pipe.
- Comes with subway-style yellow fiberglass grating.

* For Floor Troughs with Fiberglass Grating, optional ADA-compliant Grating is wide T-Bar grey color fiberglass. ADA-compliant Grating is available in gray only.

Certifications / Approvals



EG25.00A Rev. 05/23

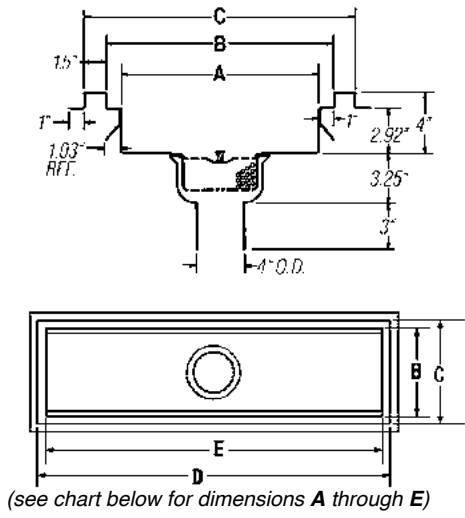
Spec sheets available for viewing, printing or downloading from our online literature library at our websites

Eagle Foodservice Equipment, Eagle MHC, and SpecFAB® are divisions of Eagle Group. ©2023 by the Eagle Group



Item No.: _____
 Project No.: _____
 S.I.S. No.: _____

Floor Troughs with Yellow Fiberglass Grating

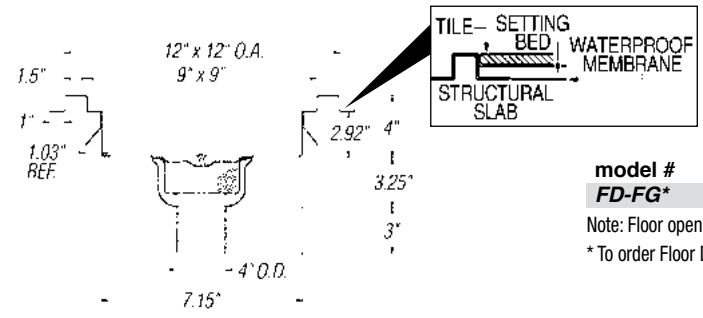


GRATING USED IN VARIOUS FLOOR TROUGHS

Floor Trough (dimension D)	Floor Trough (dimension E)	Grating Used - Quantity and Length
18" (457mm)	15" (381mm)	one 15" (381mm)
24" (610mm)	21" (533mm)	one 12" (305mm) and one 9" (229mm)
30" (762mm)	27" (686mm)	three 9" (229mm)
36" (914mm)	33" (838mm)	two 12" (305mm) and one 9" (229mm)
48" (1219mm)	45" (1143mm)	three 12" (305mm) and one 9" (229mm)
60" (1524mm)	57" (1448mm)	four 12" (305mm) and one 9" (229mm)
72" (1829mm)	69" (1753mm)	five 12" (305mm) and one 9" (229mm)
84" (2134mm)	81" (2057mm)	six 12" (305mm) and one 9" (229mm)
96" (2438mm)	93" (2362mm)	seven 12" (305mm) and one 9" (229mm)
120" (3048mm)	117" (2972mm)	nine 12" (305mm) and one 9" (229mm)

12" (305mm)-WIDE TROUGHS			15" (381mm)-WIDE TROUGHS			18" (457mm)-WIDE TROUGHS			24" (610mm)-WIDE TROUGHS			dimension D		dimension E	
dimension A: 7" (178mm)			dimension A: 10" (254mm)			dimension A: 13" (330mm)			dimension A: 19" (483mm)						
dimension B: 9" (229mm)			dimension B: 12" (305mm)			dimension B: 15" (381mm)			dimension B: 21" (533mm)						
dimension C: 12" (305mm)			dimension C: 15" (381mm)			dimension C: 18" (457mm)			dimension C: 24" (610mm)						
weight			weight			weight			weight						
lbs.	kg	model #	lbs.	kg	model #	lbs.	kg	model #	lbs.	kg	model #	in.	mm	in.	mm
50	22.7	FT-1218-FG	n/a	n/a	n/a	n/a	n/a	n/a	n/a	n/a	n/a	18"	457	15"	381
80	36.3	FT-1224-FG	90	40.8	FT-1524-FG	100	45.4	FT-1824-FG	125	56.7	FT-2424-FG	24"	610	21"	533
82	37.2	FT-1230-FG	92	41.7	FT-1530-FG	102	46.3	FT-1830-FG	127	57.6	FT-2430-FG	30"	762	27"	686
85	38.6	FT-1236-FG	95	43.1	FT-1536-FG	105	47.6	FT-1836-FG	130	59.0	FT-2436-FG	36"	914	33"	838
90	40.8	FT-1248-FG	100	45.4	FT-1548-FG	110	49.9	FT-1848-FG	135	61.2	FT-2448-FG	48"	1219	45"	1143
95	43.1	FT-1260-FG	105	47.6	FT-1560-FG	115	52.2	FT-1860-FG	140	63.5	FT-2460-FG	60"	1524	57"	1448
195	88.5	FT-1272-FG	205	93.0	FT-1572-FG	215	97.5	FT-1872-FG	240	108.9	FT-2472-FG	72"	1829	69"	1753
200	90.7	FT-1284-FG	210	95.3	FT-1584-FG	220	99.8	FT-1884-FG	245	111.1	FT-2484-FG	84"	2134	81"	2057
205	93.0	FT-1296-FG	215	97.5	FT-1596-FG	225	102.1	FT-1896-FG	250	113.4	FT-2496-FG	96"	2438	93"	2362
215	97.5	FT-12120-FG	225	102.1	FT-15120-FG	235	106.6	FT-18120-FG	260	177.9	FT-24120-FG	120"	3048	117"	2972

Floor Drain with Yellow Fiberglass Grating



model #	description	width		length	
		in.	mm	in.	mm
FD-FG*	with yellow fiberglass grating	12"	305	12"	305

Note: Floor opening = 11 1/2" x 11 1/2" (292 x 292mm)
 *To order Floor Drain with Gray Fiberglass Grating, add suffix "G". Example: FD-FGG

EAGLE GROUP
 100 Industrial Boulevard, Clayton, DE 19938-8903 USA
 Phone: 302-653-3000 • 800-441-8440 • Fax: 302-653-2065
 www.eaglegrp.com • www.eaglegrpnews.com • www.eaglemh.com

Printed in U.S.A.
 ©2023 by Eagle Group
EG25.00A Rev. 05/23

Spec sheets available for viewing, printing or downloading from our online literature library at our websites

Although every attempt has been made to ensure the accuracy of the information provided, we cannot be held responsible for typographical or printing errors. Information and specifications are subject to change without notice. Please confirm at time of order.