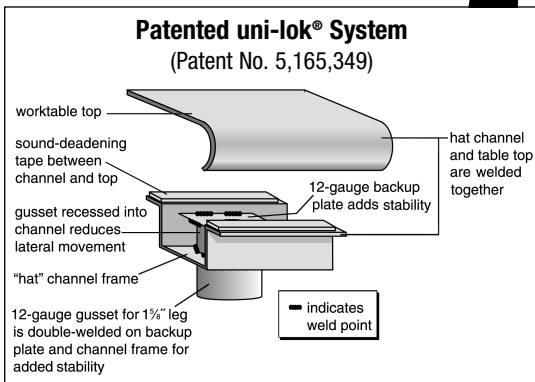


Specification Sheet

Short Form Specifications

BlendPort® worktables, Deluxe series, model _____.
Top constructed of 16 gauge 300 series stainless steel with 1½" roll on front and rear, and sides turned down 90°. Undershef is adjustable and constructed of heavy gauge type 430 stainless steel with marine edge. Top reinforced with hat channels and sound deadened. Constructed with uni-lok® patented gusset system with the gussets recessed into the hat channels to reduce lateral movement. Legs are 1½" O.D., stainless steel, with galvanized gussets and 1" stainless steel adjustable bullet feet.



Item No.: _____
Project No.: _____
S.I.S. No.: _____

Worktables with Flat Top and Stainless Steel Base with Adjustable Undershef —Deluxe Series

MODELS:

- | | | |
|--------------------------------------|--------------------------------------|--------------------------------------|
| <input type="checkbox"/> BPT-2424SEB | <input type="checkbox"/> BPT-2484SEB | <input type="checkbox"/> BPT-3060SEB |
| <input type="checkbox"/> BPT-2430SEB | <input type="checkbox"/> BPT-2496SEB | <input type="checkbox"/> BPT-3072SEB |
| <input type="checkbox"/> BPT-2436SEB | <input type="checkbox"/> BPT-3024SEB | <input type="checkbox"/> BPT-3084SEB |
| <input type="checkbox"/> BPT-2448SEB | <input type="checkbox"/> BPT-3030SEB | <input type="checkbox"/> BPT-3096SEB |
| <input type="checkbox"/> BPT-2460SEB | <input type="checkbox"/> BPT-3036SEB | |
| <input type="checkbox"/> BPT-2472SEB | <input type="checkbox"/> BPT-3048SEB | |

Tabletop

- Patented uni-lok® gusset system (patent #5,165,349): gussets are recessed into hat channel, reducing lateral movement.
- Top reinforced with welded-on hat channel.
- Sound-deadened between top and channels.
- 1½" (38mm)-diameter 180° rolled edges on front and rear. Ends are turned down 90° providing for flush installations when required.
- 16 gauge 300 series polished stainless steel.

Adjustable Undershef

- Heavy gauge stainless steel.
- Gusset welded to each corner.
- Heavy duty marine edge design.

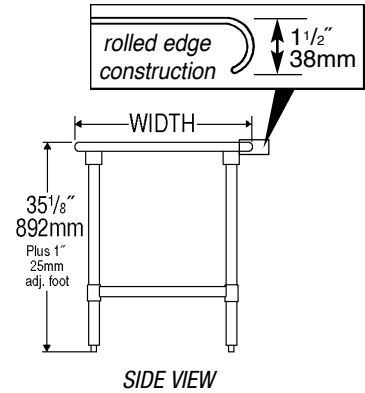
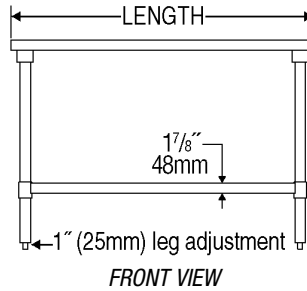
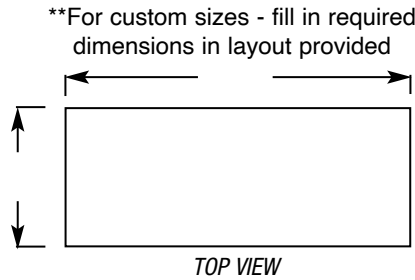
Legs—1½" (41mm)-diameter

- Tables 96" (2438mm) and longer come with six legs or more.
- Heavy gauge stainless steel.
- 1" (25mm) adjustable stainless steel feet*.

* Optional casters available. Consult factory.

| | |
|--------------|--|
| Item No.: | |
| Project No.: | |
| S.I.S. No.: | |

Worktables with Flat Top and Stainless Steel Base with Adjustable Undershef—Deluxe Series



| model # | # of legs | width | | length | | weight | |
|--------------------|-----------|-------|-----|--------|------|--------|------|
| | | in. | mm | in. | mm | lbs. | kg |
| <i>BPT-2424SEB</i> | 4 | 24" | 610 | 24" | 610 | 46 | 20.9 |
| <i>BPT-2430SEB</i> | 4 | 24" | 610 | 30" | 762 | 53 | 24.0 |
| <i>BPT-2436SEB</i> | 4 | 24" | 610 | 36" | 914 | 55 | 25.0 |
| <i>BPT-2448SEB</i> | 4 | 24" | 610 | 48" | 1219 | 62 | 28.1 |
| <i>BPT-2460SEB</i> | 4 | 24" | 610 | 60" | 1524 | 81 | 36.7 |
| <i>BPT-2472SEB</i> | 4 | 24" | 610 | 72" | 1829 | 84 | 38.1 |
| <i>BPT-2484SEB</i> | 4 | 24" | 610 | 84" | 2134 | 134 | 60.8 |
| <i>BPT-2496SEB</i> | 6 | 24" | 610 | 96" | 2438 | 159 | 72.1 |
| <i>BPT-3024SEB</i> | 4 | 30" | 762 | 24" | 610 | 56 | 25.4 |
| <i>BPT-3030SEB</i> | 4 | 30" | 762 | 30" | 762 | 57 | 25.9 |
| <i>BPT-3036SEB</i> | 4 | 30" | 762 | 36" | 914 | 64 | 29.0 |
| <i>BPT-3048SEB</i> | 4 | 30" | 762 | 48" | 1219 | 79 | 35.8 |
| <i>BPT-3060SEB</i> | 4 | 30" | 762 | 60" | 1524 | 87 | 39.5 |
| <i>BPT-3072SEB</i> | 4 | 30" | 762 | 72" | 1829 | 107 | 48.5 |
| <i>BPT-3084SEB</i> | 4 | 30" | 762 | 84" | 2134 | 134 | 60.8 |
| <i>BPT-3096SEB</i> | 6 | 30" | 762 | 96" | 2438 | 172 | 78.0 |