

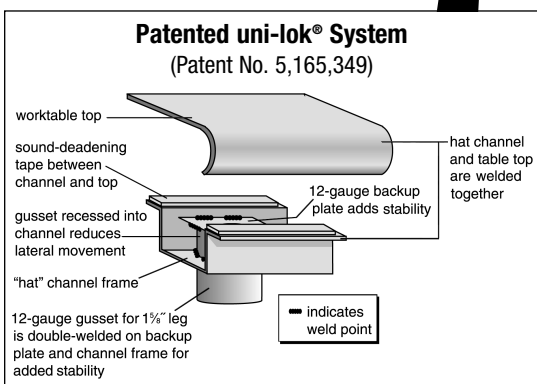
Specification Sheet

Short Form Specifications

BlendPort® worktables, Deluxe series, model _____ . Top constructed of 16 gauge 300 series stainless steel with 1½" roll on front and rear, and sides turned down 90°. Undershef is adjustable and constructed of heavy gauge galvanized. Top reinforced with welded hat channels, and sound deadened. Constructed with uni-lok® patented gusset system with the gussets recessed into the hat channels to reduce lateral movement. Legs are 1½" O.D. galvanized tubing with galvanized gussets, and 1" hi-impact plastic bullet feet.



worktable with flat top and undershef



| | |
|--------------|-------|
| Item No.: | _____ |
| Project No.: | _____ |
| S.I.S. No.: | _____ |

Worktables with Flat Top and Galvanized Base with Adjustable Undershef—Deluxe Series

MODELS:

- | | | |
|-------------------------------------|-------------------------------------|-------------------------------------|
| <input type="checkbox"/> BPT-2424EB | <input type="checkbox"/> BPT-2484EB | <input type="checkbox"/> BPT-3060EB |
| <input type="checkbox"/> BPT-2430EB | <input type="checkbox"/> BPT-2496EB | <input type="checkbox"/> BPT-3072EB |
| <input type="checkbox"/> BPT-2436EB | <input type="checkbox"/> BPT-3024EB | <input type="checkbox"/> BPT-3084EB |
| <input type="checkbox"/> BPT-2448EB | <input type="checkbox"/> BPT-3030EB | <input type="checkbox"/> BPT-3096EB |
| <input type="checkbox"/> BPT-2460EB | <input type="checkbox"/> BPT-3036EB | |
| <input type="checkbox"/> BPT-2472EB | <input type="checkbox"/> BPT-3048EB | |

Tabletop

- Patented uni-lok® gusset system (patent #5,165,349): gussets are recessed into hat channel, reducing lateral movement.
- Top reinforced with welded-on hat channel.
- Sound-deadened between top and channels.
- 1½" (38mm)-diameter 180° rolled edges on front and rear. Ends are turned down 90° providing for flush installations when required.
- 16 gauge 300 series polished stainless steel.

Adjustable Undershef

- Heavy gauge, galvanized.
- Gusset welded to each corner.

Legs—1½" (41mm)-diameter

- Tables 96" (2438mm) and longer come with six legs or more.
- Heavy gauge galvanized steel.
- 1" (25mm) adjustable hi-impact plastic feet*.

* Optional casters available. Consult factory.

BlendPort®

An Eagle Group Company

100 Industrial Boulevard, Clayton, DE 19938-8903 USA

Phone: 800-441-8440 • Fax: 302-653-2065

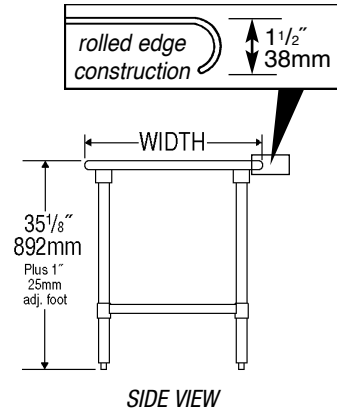
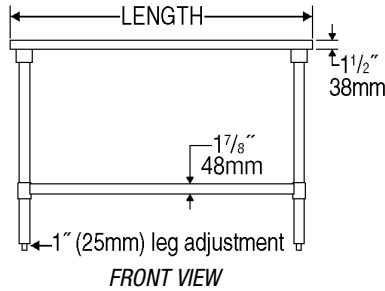
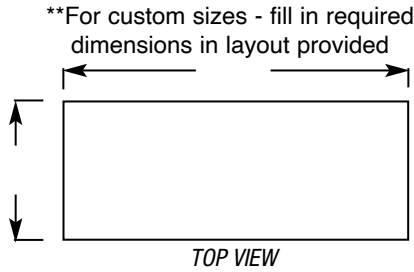
Certifications / Approvals



AutoQuotes

| | |
|--------------|--|
| Item No.: | |
| Project No.: | |
| S.I.S. No.: | |

Worktables with Flat Top and Galvanized Base with Adjustable Undershelf—Deluxe Series



| model # | # of legs | width | | length | | weight | |
|-------------------|-----------|-------|-----|--------|------|--------|------|
| | | in. | mm | in. | mm | lbs. | kg |
| BPT-2424EB | 4 | 24" | 610 | 24" | 610 | 44 | 20.0 |
| BPT-2430EB | 4 | 24" | 610 | 30" | 762 | 51 | 23.1 |
| BPT-2436EB | 4 | 24" | 610 | 36" | 914 | 53 | 24.0 |
| BPT-2448EB | 4 | 24" | 610 | 48" | 1219 | 60 | 27.2 |
| BPT-2460EB | 4 | 24" | 610 | 60" | 1524 | 79 | 35.8 |
| BPT-2472EB | 4 | 24" | 610 | 72" | 1829 | 82 | 37.2 |
| BPT-2484EB | 4 | 24" | 610 | 84" | 2134 | 132 | 59.9 |
| BPT-2496EB | 6 | 24" | 610 | 96" | 2438 | 157 | 71.2 |
| BPT-3024EB | 4 | 30" | 762 | 24" | 610 | 54 | 24.5 |
| BPT-3030EB | 4 | 30" | 762 | 30" | 762 | 55 | 25.0 |
| BPT-3036EB | 4 | 30" | 762 | 36" | 914 | 62 | 28.1 |
| BPT-3048EB | 4 | 30" | 762 | 48" | 1219 | 77 | 34.9 |
| BPT-3060EB | 4 | 30" | 762 | 60" | 1524 | 83 | 37.7 |
| BPT-3072EB | 4 | 30" | 762 | 72" | 1829 | 105 | 47.6 |
| BPT-3084EB | 4 | 30" | 762 | 84" | 2134 | 132 | 59.9 |
| BPT-3096EB | 6 | 30" | 762 | 96" | 2438 | 169 | 76.7 |