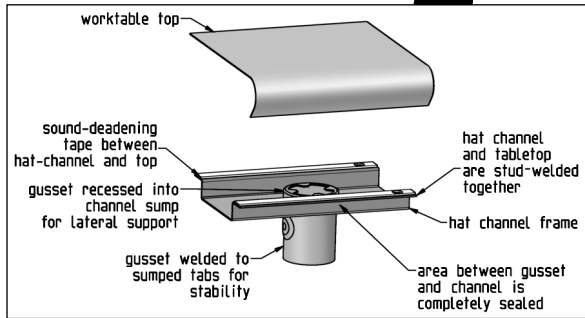


Specification Sheet

Short Form Specifications

BlendPort[®] FL Series Worktables with Upturn, model _____, 18 gauge type 430 stainless steel top features front rolled rim, 1½" rear upturn, and square bend on ends. 1½"-diameter galvanized legs. 18 gauge galvanized undershelf. Adjustable plastic bullet feet.



Optional Drawers for FL Series Worktables

16" x 20".
Fully enclosed.
Features roller slides.



description	weight	model #
For 24"-wide tables	21 lbs.	BPD-1620-24T
For 30"-wide tables	26 lbs.	BPD-1620-30T

Item No.: _____
Project No.: _____
S.I.S. No.: _____

BlendPort[®] FL Series Worktables with Upturn

- 18 gauge type 430 stainless steel top features hemmed rolled rim edge on front, with square bend on sides, and is sound-deadened.
- 1½"-high rear upturn.
- Top reinforced with welded-on hat channels, which allow for mounting optional drawers.
- 1½"-diameter galvanized steel legs.
- Galvanized steel gussets.
- Adjustable plastic bullet feet.
- 18 gauge galvanized steel undershelf.

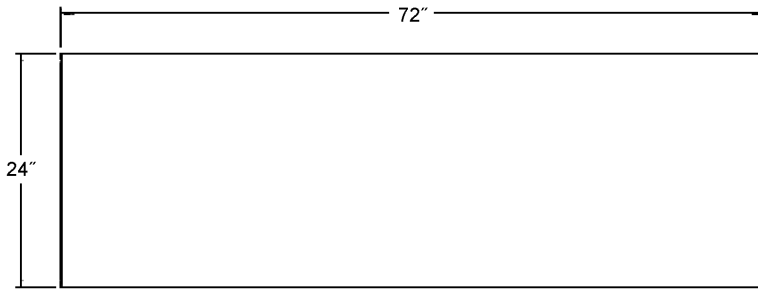
width x length	weight	model #
24" x 24"	39 lbs.	BPT-2424FL
24" x 30"	40 lbs.	BPT-2430FL
24" x 36"	48 lbs.	BPT-2436FL
24" x 48"	56 lbs.	BPT-2448FL
24" x 60"	64 lbs.	BPT-2460FL
24" x 72"	72 lbs.	BPT-2472FL
24" x 96"	92 lbs.	BPT-2496FL
30" x 24"	39 lbs.	BPT-3024FL
30" x 30"	50 lbs.	BPT-3030FL
30" x 36"	52 lbs.	BPT-3036FL
30" x 48"	61 lbs.	BPT-3048FL
30" x 60"	77 lbs.	BPT-3060FL
30" x 72"	86 lbs.	BPT-3072FL
30" x 96"	123 lbs.	BPT-3096FL



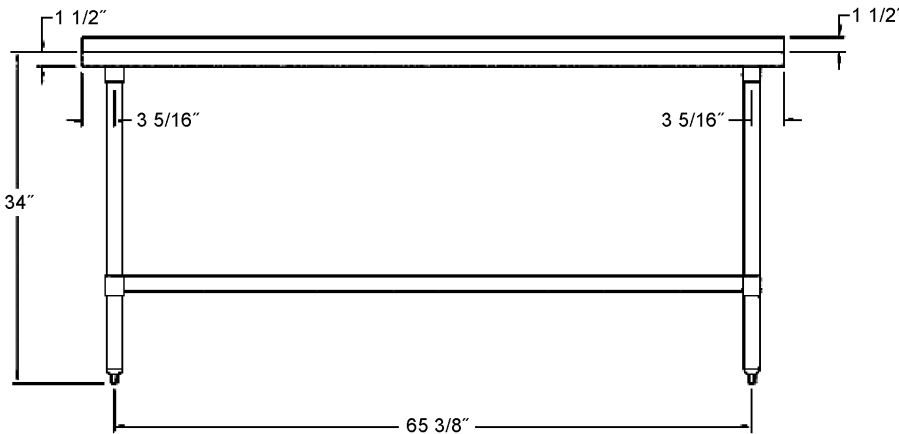


Item No.:	_____
Project No.:	_____
S.I.S. No.:	_____

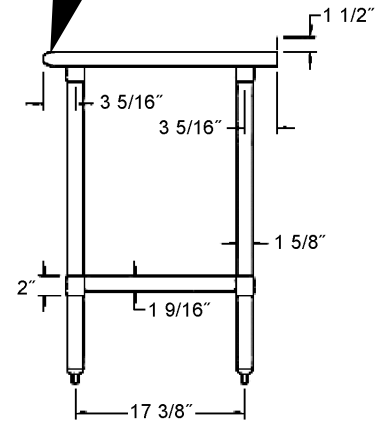
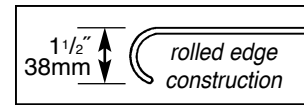
BlendPort® FL Series Worktables with Upturn



TOP VIEW



FRONT VIEW



SIDE VIEW

(Note: #BPT-2472FL shown)

BlendPort®

An Eagle Group Company
100 Industrial Boulevard, Clayton, DE 19938-8903 USA
Phone: 800-441-8440 • Fax: 302-653-2065

Printed in U.S.A.
©2023 by Eagle Group
Rev. 03/23

Although every attempt has been made to ensure the accuracy of the information provided, we cannot be held responsible for typographical or printing errors. Information and specifications are subject to change without notice. Please confirm at time of order.