

Item No.:	_____
Project No.:	_____
S.I.S. No.:	_____

Specification Sheet

Short Form Specifications

BlendPort® BPF Series Sink, model _____, 16 gauge type 304 stainless steel construction. Features stainless steel legs, gussets, and bullet feet; crossbracing; 14"-deep bowls; and faucet holes on 8" centers.



BlendPort® BPF Series Sinks

- 16 gauge type 304 stainless steel.
- Stainless steel legs and gussets.
- Stainless steel bullet feet.
- Legs are 19" high.
- Crossbracing runs front-to-back and side-to-side.
- 14"-deep sink bowls (except where noted) with 3.5" basket drain.
- Available with one, two, or three compartments.
- Bowl straps between bowls.
- Faucet holes on 8" centers.

number of compartments	bowl size	# of drainboards	drainboard length	overall front-to-back	overall end-to-end	weight	model #
1	18" x 18"	0	n/a	23.5"	23"	65 lbs.	BPS-1818-1-FC
1	18" x 18"	1 (left)	18"	23.5"	38.5"	88 lbs.	BPS-1818-1-18L-FC
1	18" x 18"	1 (right)	18"	23.5"	38.5"	88 lbs.	BPS-1818-1-18R-FC
1	18" x 18"	2	18"	23.5"	54"	114 lbs.	BPS-1818-1-18-FC
1	24" x 18"	1	24"	29.5"	44.5"	83 lbs.	BPS-2418-1-24L-FC
1	24" x 24"	0	n/a	29.5"	29"	103 lbs.	BPS-2424-1-FC
2	15" x 15"	0	n/a	20.5"	35"	75 lbs.	BPS-1530-2-FC
2	24" x 18"	2	24"	29.5"	84"	157 lbs.	BPS-2436-2-24-FC
2	24" x 24"	0	n/a	29.5"	53"	158 lbs.	BPS-2448-2-FC
2	24" x 24"	1 (left)	24"	29.5"	74.5"	178 lbs.	BPS-2448-2-24L-FC
2	24" x 24"	1 (right)	24"	29.5"	74.5"	178 lbs.	BPS-2448-2-24R-FC
2	24" x 24"	2	24"	29.5"	96"	205 lbs.	BPS-2448-2-24-FC
3	15" x 15"	0	n/a	20.5"	50"	123 lbs.	BPS-1545-3-FC
3	15" x 15"	1 (left)	15"	20.5"	62.5"	148 lbs.	BPS-1545-3-15L-FC
3	15" x 15"	1 (right)	15"	20.5"	62.5"	148 lbs.	BPS-1545-3-15R-FC
3	15" x 15"	2	15"	20.5"	75"	164 lbs.	BPS-1545-3-15-FC
3	18" x 18"	0	n/a	23.5"	59"	179 lbs.	BPS-1854-3-FC
3	18" x 18"	1 (left)	18"	23.5"	74.5"	185 lbs.	BPS-1854-3-18L-FC
3	18" x 18"	1 (right)	18"	23.5"	74.5"	185 lbs.	BPS-1854-3-18R-FC
3	18" x 18"	2	18"	23.5"	90"	190 lbs.	BPS-1854-3-18-FC
3	18" x 18"	1 (left)	24"	23.5"	80.5"	199 lbs.	BPS-1854-3-24L-FC
3	18" x 18"	1 (right)	24"	23.5"	80.5"	199 lbs.	BPS-1854-3-24R-FC
3	18" x 18"	2	24"	23.5"	102"	219 lbs.	BPS-1854-3-24-FC
3	12" x 20"	2	12"	25.5"	60"	160 lbs.	BPS-2036-3-12-FC
3	16" x 20"	2	18"	25.5"	84"	202 lbs.	BPS-2048-3-18-FC**
3	18" x 24"	0	n/a	29.5"	59"	199 lbs.	BPS-2454-3-FC
3	18" x 24"	1 (left)	18"	29.5"	74.5"	205 lbs.	BPS-2454-3-18L-FC
3	18" x 24"	1 (right)	18"	29.5"	74.5"	205 lbs.	BPS-2454-3-18R-FC
3	18" x 24"	2	18"	29.5"	90"	213 lbs.	BPS-2454-3-18-FC
3	18" x 24"	1 (left)	24"	29.5"	80.5"	221 lbs.	BPS-2454-3-24L-FC
3	18" x 24"	1 (right)	24"	29.5"	80.5"	221 lbs.	BPS-2454-3-24R-FC
3	18" x 24"	2	24"	29.5"	102"	223 lbs.	BPS-2454-3-24-FC
3	24" x 24"	0	n/a	29.5"	77"	210 lbs.	BPS-2472-3-FC*
3	24" x 24"	1 (left)	24"	29.5"	98.5"	231 lbs.	BPS-2472-3-24L-FC*
3	24" x 24"	1 (right)	24"	29.5"	98.5"	231 lbs.	BPS-2472-3-24R-FC*
3	24" x 24"	2	24"	29.5"	120"	275 lbs.	BPS-2472-3-24-FC*
3	28" x 20"	2	24"	33.5"	108"	240 lbs.	BPS-2860-3-24-FC
3	28" x 20"	2	30"	33.5"	120"	260 lbs.	BPS-2860-3-30-FC

* Feature 2 sets of faucet holes (faucets sold separately); ** Sinks bowl is 12" deep.

BlendPort®

An Eagle Group Company
100 Industrial Boulevard, Clayton, DE 19938-8903 USA
Phone: 800-441-8440 • Fax: 302-653-2065

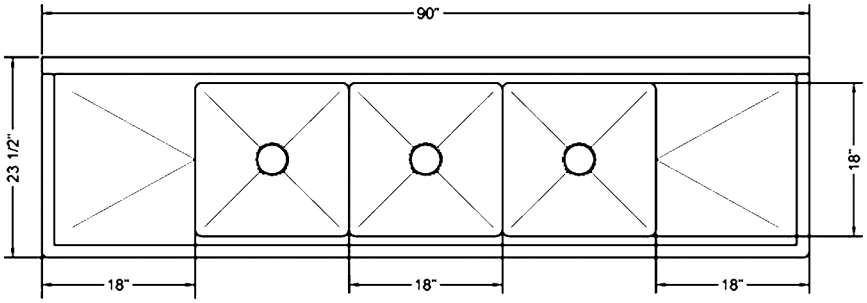
Certifications / Approvals



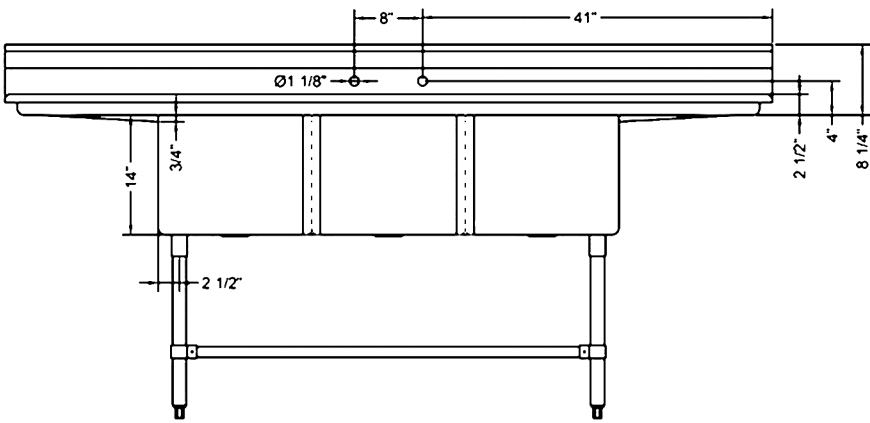


Item No.:	_____
Project No.:	_____
S.I.S. No.:	_____

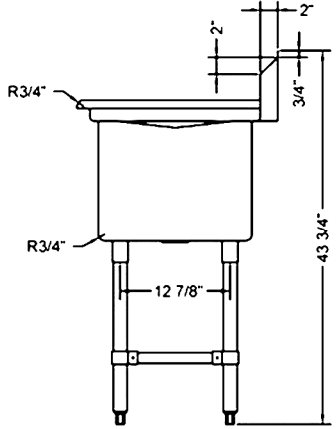
BlendPort® BPFC Series Sinks



TOP VIEW



FRONT VIEW



SIDE VIEW

(Note: #BPS-1854-3-18-FC shown)

BlendPort®

An Eagle Group Company
 100 Industrial Boulevard, Clayton, DE 19938-8903 USA
 Phone: 800-441-8440 • Fax: 302-653-2065

Printed in U.S.A.
 ©2023 by Eagle Group
 Rev. 05/23

Although every attempt has been made to ensure the accuracy of the information provided, we cannot be held responsible for typographical or printing errors. Information and specifications are subject to change without notice. Please confirm at time of order.