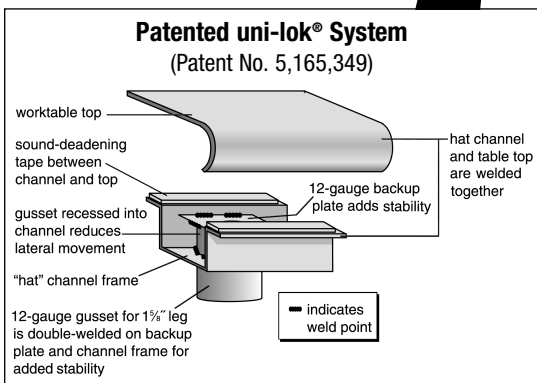


# Specification Sheet

## Short Form Specifications

BlendPort® worktables, Deluxe series, model \_\_\_\_\_.  
Top constructed of 16 gauge 300 series stainless steel with 1½" roll on front, 4½" backsplash, and sides turned down 90°. Open front with 1¼" O.D., stainless steel tubular crossbracing on sides and rear. Top reinforced with welded hat channels and sound deadened. Constructed with uni-lok® patented gusset system with the gussets recessed into the hat channels to reduce lateral movement. Legs are 1½" O.D., stainless steel tubing, with stainless steel gussets and 1" stainless steel adjustable bullet feet.



Item No.: \_\_\_\_\_  
Project No.: \_\_\_\_\_  
S.I.S. No.: \_\_\_\_\_

## Worktables with Backsplash and Stainless Steel Tubular Base —Deluxe Series

### MODELS:

- |  |  |
|--|--|
| <input type="checkbox"/> BPT-2424STEB-BS | <input type="checkbox"/> BPT-3024STEB-BS |
| <input type="checkbox"/> BPT-2430STEB-BS | <input type="checkbox"/> BPT-3030STEB-BS |
| <input type="checkbox"/> BPT-2436STEB-BS | <input type="checkbox"/> BPT-3036STEB-BS |
| <input type="checkbox"/> BPT-2448STEB-BS | <input type="checkbox"/> BPT-3048STEB-BS |
| <input type="checkbox"/> BPT-2460STEB-BS | <input type="checkbox"/> BPT-3060STEB-BS |
| <input type="checkbox"/> BPT-2472STEB-BS | <input type="checkbox"/> BPT-3072STEB-BS |
| <input type="checkbox"/> BPT-2484STEB-BS | <input type="checkbox"/> BPT-3084STEB-BS |
| <input type="checkbox"/> BPT-2496STEB-BS | <input type="checkbox"/> BPT-3096STEB-BS |

### Tabletop

- Patented uni-lok® gusset system (patent #5,165,349): gussets are recessed into hat channel, reducing lateral movement.
- Top reinforced with welded-on hat channel.
- Sound-deadened between top and channels.
- 4½" (114mm)-high 90° backsplash with 1" (25mm) turn at 90°.
- 1½" (38mm)-diameter 180° rolled edge on front. Ends are turned down 90°, providing for flush installations when required.
- 16 gauge 300 series polished stainless steel.

### Crossbracing—1¼" (38mm)-diameter

- Heavy gauge stainless steel.
- Aluminum castings join crossbraces, legs and rear brace.

### Legs—1½" (41mm)-diameter

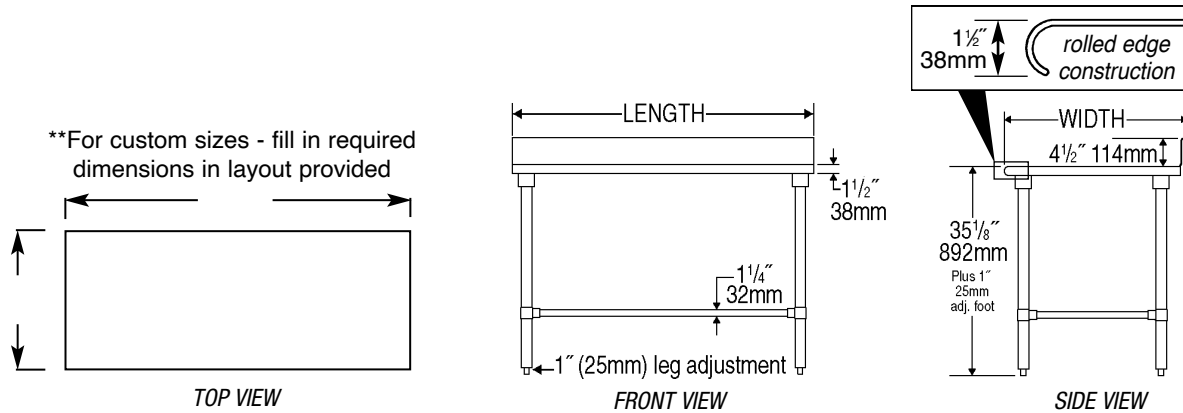
- Tables 96" (2438mm) and longer come with six legs or more.
- Heavy gauge stainless steel.
- 1" (25mm) adjustable stainless steel feet\*.

\* Optional casters available. Consult factory.



Item No.: \_\_\_\_\_  
 Project No.: \_\_\_\_\_  
 S.I.S. No.: \_\_\_\_\_

# Worktables with Backsplash and Stainless Steel Tubular Base —Deluxe Series



| model #         | # of legs | width |     | length |      | weight |      |
|-----------------|-----------|-------|-----|--------|------|--------|------|
|                 |           | in.   | mm  | in.    | mm   | lbs.   | kg   |
| BPT-2424STEB-BS | 4         | 24"   | 610 | 24"    | 610  | 57     | 25.9 |
| BPT-2430STEB-BS | 4         | 24"   | 610 | 30"    | 762  | 64     | 29.0 |
| BPT-2436STEB-BS | 4         | 24"   | 610 | 36"    | 914  | 67     | 30.4 |
| BPT-2448STEB-BS | 4         | 24"   | 610 | 48"    | 1219 | 72     | 32.7 |
| BPT-2460STEB-BS | 4         | 24"   | 610 | 60"    | 1524 | 88     | 39.9 |
| BPT-2472STEB-BS | 4         | 24"   | 610 | 72"    | 1829 | 96     | 43.6 |
| BPT-2484STEB-BS | 4         | 24"   | 610 | 84"    | 2134 | 147    | 66.7 |
| BPT-2496STEB-BS | 6         | 24"   | 610 | 96"    | 2438 | 172    | 78.0 |
| BPT-3024STEB-BS | 4         | 30"   | 762 | 24"    | 610  | 62     | 28.1 |
| BPT-3030STEB-BS | 4         | 30"   | 762 | 30"    | 762  | 65     | 29.5 |
| BPT-3036STEB-BS | 4         | 30"   | 762 | 36"    | 914  | 68     | 30.9 |
| BPT-3048STEB-BS | 4         | 30"   | 762 | 48"    | 1219 | 85     | 38.6 |
| BPT-3060STEB-BS | 4         | 30"   | 762 | 60"    | 1524 | 94     | 42.6 |
| BPT-3072STEB-BS | 4         | 30"   | 762 | 72"    | 1829 | 115    | 52.2 |
| BPT-3084STEB-BS | 4         | 30"   | 762 | 84"    | 2134 | 147    | 66.7 |
| BPT-3096STEB-BS | 6         | 30"   | 762 | 96"    | 2438 | 182    | 82.6 |

**BlendPort®**

An Eagle Group Company  
 100 Industrial Boulevard, Clayton, DE 19938-8903 USA  
 Phone: 800-441-8440 • Fax: 302-653-2065

Printed in U.S.A.  
 ©2023 by Eagle Group  
 Rev. 03/23

Although every attempt has been made to ensure the accuracy of the information provided, we cannot be held responsible for typographical or printing errors. Information and specifications are subject to change without notice. Please confirm at time of order.