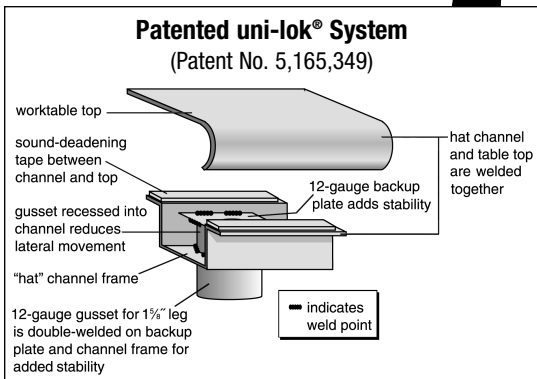


Specification Sheet

Short Form Specifications

BlendPort® worktables, Deluxe series, model _____.
Top constructed of 16 gauge 300 series stainless steel with 1½" roll on front, 4½" backsplash, and sides turned down 90°. Undershef is adjustable and constructed of heavy gauge galvanized steel. Top reinforced with welded hat channels, and sound deadened. Constructed with uni-lok® patented gusset system with the gussets recessed into the hat channels to reduce lateral movement. Legs are 1½" O.D. galvanized tubing, with galvanized gussets and 1" hi-impact plastic bullet feet.



Item No.:	_____
Project No.:	_____
S.I.S. No.:	_____

Worktables with Backsplash and Galvanized Base with Undershef —Deluxe Series

MODELS:

- | | |
|----------------------------------------|----------------------------------------|
| <input type="checkbox"/> BPT-2424EB-BS | <input type="checkbox"/> BPT-3024EB-BS |
| <input type="checkbox"/> BPT-2430EB-BS | <input type="checkbox"/> BPT-3030EB-BS |
| <input type="checkbox"/> BPT-2436EB-BS | <input type="checkbox"/> BPT-3036EB-BS |
| <input type="checkbox"/> BPT-2448EB-BS | <input type="checkbox"/> BPT-3048EB-BS |
| <input type="checkbox"/> BPT-2460EB-BS | <input type="checkbox"/> BPT-3060EB-BS |
| <input type="checkbox"/> BPT-2472EB-BS | <input type="checkbox"/> BPT-3072EB-BS |
| <input type="checkbox"/> BPT-2484EB-BS | <input type="checkbox"/> BPT-3084EB-BS |
| <input type="checkbox"/> BPT-2496EB-BS | <input type="checkbox"/> BPT-3096EB-BS |

Tabletop

- Patented uni-lok® gusset system (patent #5,165,349): gussets are recessed into hat channel, reducing lateral movement.
- Top reinforced with welded-on hat channel.
- Sound-deadened between top and channels.
- 4½" (114mm)-high 90° backsplash with 1" (25mm) turn at 90°.
- 1½" (38mm)-diameter 180° rolled edge on front. Ends are turned down 90°, providing for flush installations when required.
- 16 gauge 300 series polished stainless steel.

Adjustable Undershef

- Heavy gauge, galvanized.
- Gusset welded to each corner.

Legs—1½" (41mm)-diameter

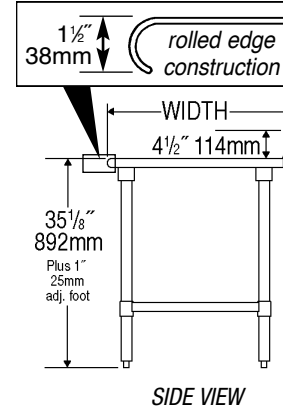
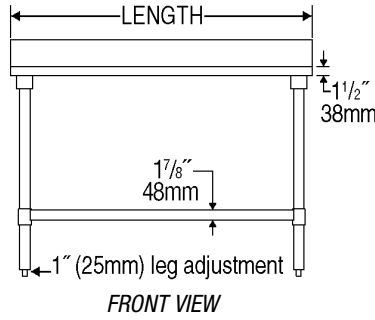
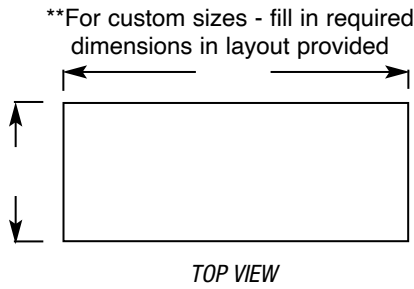
- Tables 96" (2438mm) and longer come with six legs or more.
- Heavy gauge galvanized steel.
- 1" (25mm) adjustable hi-impact plastic feet*.

* Optional casters available. Consult factory.



Item No.:	_____
Project No.:	_____
S.I.S. No.:	_____

Worktables with Backsplash and Galvanized Base with Undershelf—Deluxe Series



model #	# of legs	width		length		weight	
		in.	mm	in.	mm	lbs.	kg
<i>BPT-2424EB-BS</i>	4	24"	610	24"	610	55	25.0
<i>BPT-2430EB-BS</i>	4	24"	610	30"	762	62	28.1
<i>BPT-2436EB-BS</i>	4	24"	610	36"	914	65	29.5
<i>BPT-2448EB-BS</i>	4	24"	610	48"	1219	70	31.8
<i>BPT-2460EB-BS</i>	4	24"	610	60"	1524	86	39.0
<i>BPT-2472EB-BS</i>	4	24"	610	72"	1829	94	42.6
<i>BPT-2484EB-BS</i>	4	24"	610	84"	2134	145	65.7
<i>BPT-2496EB-BS</i>	6	24"	610	96"	2438	169	76.7
<i>BPT-3024EB-BS</i>	4	30"	762	24"	610	60	27.2
<i>BPT-3030EB-BS</i>	4	30"	762	30"	762	63	28.6
<i>BPT-3036EB-BS</i>	4	30"	762	36"	914	66	29.9
<i>BPT-3048EB-BS</i>	4	30"	762	48"	1219	83	37.7
<i>BPT-3060EB-BS</i>	4	30"	762	60"	1524	92	41.7
<i>BPT-3072EB-BS</i>	4	30"	762	72"	1829	113	51.3
<i>BPT-3084EB-BS</i>	4	30"	762	84"	2134	145	65.8
<i>BPT-3096EB-BS</i>	6	30"	762	96"	2438	180	81.7

BlendPort®

An Eagle Group Company
 100 Industrial Boulevard, Clayton, DE 19938-8903 USA
 Phone: 800-441-8440 • Fax: 302-653-2065

Printed in U.S.A.
 ©2023 by Eagle Group
 Rev. 03/23

Although every attempt has been made to ensure the accuracy of the information provided, we cannot be held responsible for typographical or printing errors. Information and specifications are subject to change without notice. Please confirm at time of order.