

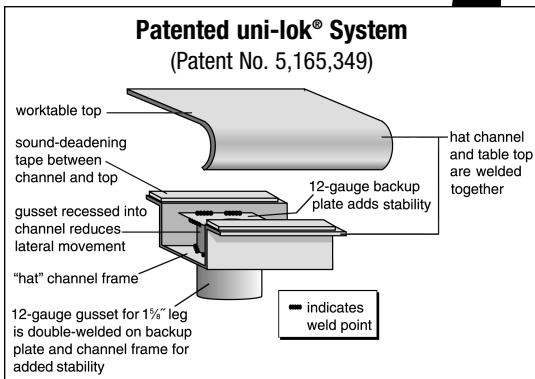
Specification Sheet

Short Form Specifications

BlendPort® worktables, Budget series model _____.
Top constructed of heavy gauge type 430 stainless steel with 1½" roll on front, 4½" backsplash, and sides turned down 90°. Undershef is adjustable and constructed of heavy gauge galvanized steel. Top reinforced with welded hat channels, and sound deadened. Constructed with uni-lok® patented gusset system with the gussets recessed into the hat channels to reduce lateral movement. Legs are 1½" O.D. galvanized tubing, with galvanized gussets and 1" hi-impact plastic bullet feet.



worktable with backsplash and undershef



| | |
|--------------|-------|
| Item No.: | _____ |
| Project No.: | _____ |
| S.I.S. No.: | _____ |

Worktables with Backsplash and Galvanized Base with Undershef —Budget Series

MODELS:

- | | |
|---------------------------------------|---------------------------------------|
| <input type="checkbox"/> BPT-2424B-BS | <input type="checkbox"/> BPT-3024B-BS |
| <input type="checkbox"/> BPT-2430B-BS | <input type="checkbox"/> BPT-3030B-BS |
| <input type="checkbox"/> BPT-2436B-BS | <input type="checkbox"/> BPT-3036B-BS |
| <input type="checkbox"/> BPT-2448B-BS | <input type="checkbox"/> BPT-3048B-BS |
| <input type="checkbox"/> BPT-2460B-BS | <input type="checkbox"/> BPT-3060B-BS |
| <input type="checkbox"/> BPT-2472B-BS | <input type="checkbox"/> BPT-3072B-BS |
| <input type="checkbox"/> BPT-2484B-BS | <input type="checkbox"/> BPT-3084B-BS |
| <input type="checkbox"/> BPT-2496B-BS | <input type="checkbox"/> BPT-3096B-BS |

Tabletop

- Patented uni-lok® gusset system (patent #5,165,349): gussets are recessed into hat channel, reducing lateral movement.
- Top reinforced with welded-on hat channel.
- Sound-deadened between top and channels.
- 4½" (114mm)-high 90° backsplash with 1" (25mm) turn at 90°.
- 1½" (38mm)-diameter 180° rolled edge on front. Ends are turned down 90°, providing for flush installations when required.
- Heavy gauge type 430 polished stainless steel.

Adjustable Undershef

- Heavy gauge, galvanized.
- Gusset welded to each corner.

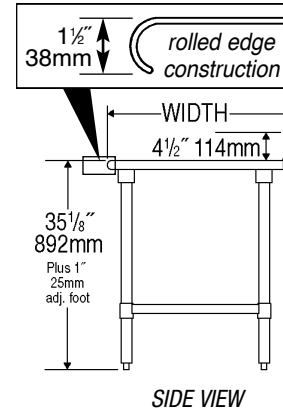
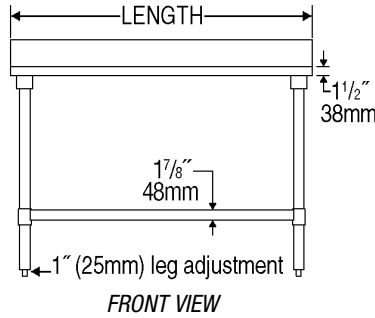
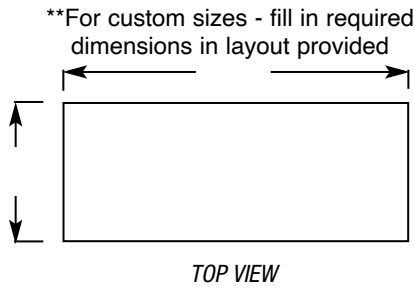
Legs—1½" (41mm)-diameter

- Tables 96" (2438mm) and longer come with six legs or more.
- Heavy gauge galvanized steel.
- 1" (25mm) adjustable hi-impact plastic feet*.

* Optional casters available. Consult factory.

| | |
|--------------|-------|
| Item No.: | _____ |
| Project No.: | _____ |
| S.I.S. No.: | _____ |

Worktables with Backsplash and Galvanized Base with Undershelf—Budget Series



| model # | # of legs | width | | length | | weight | |
|---------------------|-----------|-------|-----|--------|------|--------|------|
| | | in. | mm | in. | mm | lbs. | kg |
| <i>BPT-2424B-BS</i> | 4 | 24" | 610 | 24" | 610 | 55 | 25.0 |
| <i>BPT-2430B-BS</i> | 4 | 24" | 610 | 30" | 762 | 62 | 28.1 |
| <i>BPT-2436B-BS</i> | 4 | 24" | 610 | 36" | 914 | 65 | 29.5 |
| <i>BPT-2448B-BS</i> | 4 | 24" | 610 | 48" | 1219 | 70 | 31.8 |
| <i>BPT-2460B-BS</i> | 4 | 24" | 610 | 60" | 1524 | 86 | 39.0 |
| <i>BPT-2472B-BS</i> | 4 | 24" | 610 | 72" | 1829 | 94 | 42.6 |
| <i>BPT-2484B-BS</i> | 4 | 24" | 610 | 84" | 2134 | 145 | 65.7 |
| <i>BPT-2496B-BS</i> | 6 | 24" | 610 | 96" | 2438 | 169 | 76.7 |
| <i>BPT-3024B-BS</i> | 4 | 30" | 762 | 24" | 610 | 60 | 27.2 |
| <i>BPT-3030B-BS</i> | 4 | 30" | 762 | 30" | 762 | 63 | 28.6 |
| <i>BPT-3036B-BS</i> | 4 | 30" | 762 | 36" | 914 | 66 | 29.9 |
| <i>BPT-3048B-BS</i> | 4 | 30" | 762 | 48" | 1219 | 83 | 37.7 |
| <i>BPT-3060B-BS</i> | 4 | 30" | 762 | 60" | 1524 | 92 | 41.7 |
| <i>BPT-3072B-BS</i> | 4 | 30" | 762 | 72" | 1829 | 113 | 51.3 |
| <i>BPT-3084B-BS</i> | 4 | 30" | 762 | 84" | 2134 | 145 | 65.8 |
| <i>BPT-3096B-BS</i> | 6 | 30" | 762 | 96" | 2438 | 180 | 81.7 |