

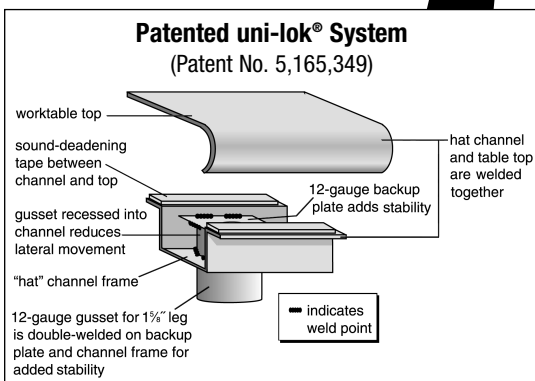
Specification Sheet

Short Form Specifications

BlendPort® worktables, Budget series, model _____.
Top constructed of heavy gauge type 430 stainless steel with 1½" roll on front and rear, and sides turned down 90°. Open front with 1½" O.D. stainless steel tubular crossbracing on sides and rear. Top reinforced with welded hat channels and sound deadened. Constructed with uni-lok® patented gusset system with the gussets recessed into the hat channels to reduce lateral movement. Legs 1½" O.D., stainless steel tubing with stainless steel gussets and 1" stainless steel adjustable bullet feet.



worktable with flat top and tubular base
—shown with optional drawer



Item No.: _____
Project No.: _____
S.I.S. No.: _____

Worktables with Flat Top and Stainless Steel Tubular Base —Budget Series

MODELS:

<input type="checkbox"/> BPT-2424STB	<input type="checkbox"/> BPT-2484STB	<input type="checkbox"/> BPT-3060STB
<input type="checkbox"/> BPT-2430STB	<input type="checkbox"/> BPT-2496STB	<input type="checkbox"/> BPT-3072STB
<input type="checkbox"/> BPT-2436STB	<input type="checkbox"/> BPT-3024STB	<input type="checkbox"/> BPT-3084STB
<input type="checkbox"/> BPT-2448STB	<input type="checkbox"/> BPT-3030STB	<input type="checkbox"/> BPT-3096STB
<input type="checkbox"/> BPT-2460STB	<input type="checkbox"/> BPT-3036STB	
<input type="checkbox"/> BPT-2472STB	<input type="checkbox"/> BPT-3048STB	

Tabletop

- Patented uni-lok® gusset system (patent #5,165,349): gussets are recessed into hat channel, reducing lateral movement.
- Top reinforced with welded-on hat channel.
- Sound-deadened between top and channels.
- 1½" (38mm)-diameter 180° rolled edges on front and rear. Ends are turned down 90°, providing for flush installations when required.
- Heavy gauge type 430 polished stainless steel.

Crossbracing—1½" (38mm)-diameter

- Heavy gauge stainless steel.
- Aluminum castings join crossbraces, legs and rear brace.

Legs—1½" (41mm)-diameter

- Tables 96" (2438mm) and longer come with six legs or more.
- Heavy gauge stainless steel.
- 1" (25mm) adjustable stainless steel feet*.

* Optional casters available. Consult factory.

BlendPort®

An Eagle Group Company

100 Industrial Boulevard, Clayton, DE 19938-8903 USA

Phone: 800-441-8440 • Fax: 302-653-2065

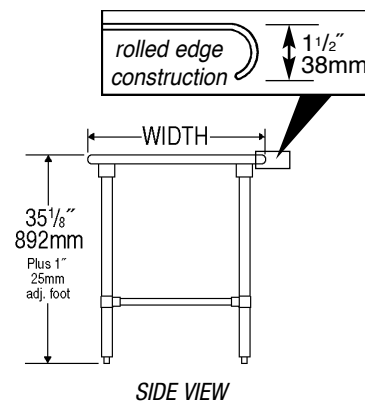
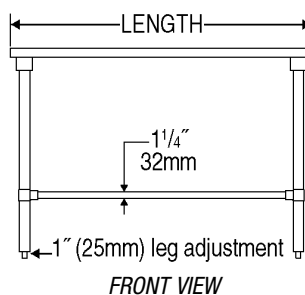
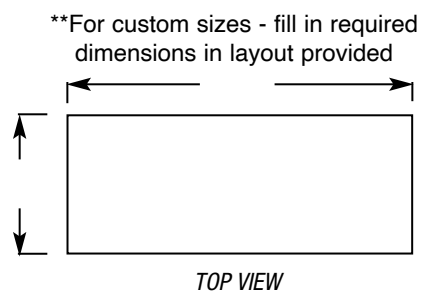
Certifications / Approvals



AutoQuotes

Item No.: _____
 Project No.: _____
 S.I.S. No.: _____

Worktables with Flat Top and Stainless Steel Tubular Base —Budget Series



model #	# of legs	width		length		weight	
		in.	mm	in.	mm	lbs.	kg
BPT-2424STB	4	24"	610	24"	610	46	20.9
BPT-2430STB	4	24"	610	30"	762	53	24.0
BPT-2436STB	4	24"	610	36"	914	55	25.0
BPT-2448STB	4	24"	610	48"	1219	62	28.1
BPT-2460STB	4	24"	610	60"	1524	82	37.2
BPT-2472STB	4	24"	610	72"	1829	84	38.1
BPT-2484STB	4	24"	610	84"	2134	134	60.8
BPT-2496STB	6	24"	610	96"	2438	159	72.1
BPT-3024STB	4	30"	762	24"	610	56	25.4
BPT-3030STB	4	30"	762	30"	762	57	25.9
BPT-3036STB	4	30"	762	36"	914	64	29.0
BPT-3048STB	4	30"	762	48"	1219	74	33.6
BPT-3060STB	4	30"	762	60"	1524	85	38.6
BPT-3072STB	4	30"	762	72"	1829	107	48.5
BPT-3084STB	4	30"	762	84"	2134	134	60.8
BPT-3096STB	6	30"	762	96"	2438	172	78.0

BlendPort®

An Eagle Group Company

100 Industrial Boulevard, Clayton, DE 19938-8903 USA

Phone: 800-441-8440 • Fax: 302-653-2065

 Printed in U.S.A.
 ©2023 by Eagle Group
 Rev. 03/23

Although every attempt has been made to ensure the accuracy of the information provided, we cannot be held responsible for typographical or printing errors. Information and specifications are subject to change without notice. Please confirm at time of order.