

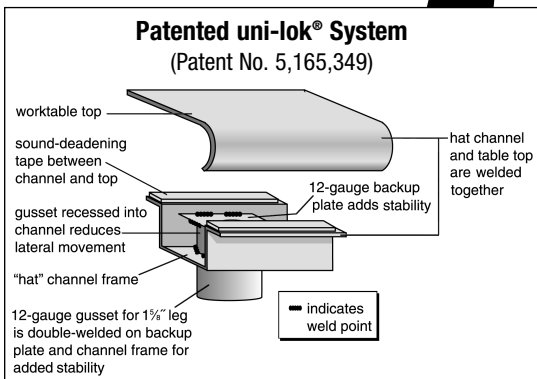
# Specification Sheet

## Short Form Specifications

BlendPort® worktables, Budget series model \_\_\_\_\_.  
Top constructed of heavy gauge type 430 stainless steel with 1½" roll on front and rear, and sides turned down 90°. Open front with 1¼" O.D. galvanized tubular crossbracing on sides and rear. Top reinforced with hat channels and sound deadened. Constructed with uni-lok® patented gusset system with the gussets recessed into the hat channels to reduce lateral movement. Legs are 1½" O.D. galvanized tubing, with galvanized gussets and 1" hi-impact plastic bullet feet.



worktable with flat top and tubular base



|              |       |
|--------------|-------|
| Item No.:    | _____ |
| Project No.: | _____ |
| S.I.S. No.:  | _____ |

## Worktables with Flat Top and Galvanized Tubular Base —Budget Series

### MODELS:

- |                                      |                                      |                                      |
|--------------------------------------|--------------------------------------|--------------------------------------|
| <input type="checkbox"/> BPT-2424GTB | <input type="checkbox"/> BPT-2484GTB | <input type="checkbox"/> BPT-3060GTB |
| <input type="checkbox"/> BPT-2430GTB | <input type="checkbox"/> BPT-2496GTB | <input type="checkbox"/> BPT-3072GTB |
| <input type="checkbox"/> BPT-2436GTB | <input type="checkbox"/> BPT-3024GTB | <input type="checkbox"/> BPT-3084GTB |
| <input type="checkbox"/> BPT-2448GTB | <input type="checkbox"/> BPT-3030GTB | <input type="checkbox"/> BPT-3096GTB |
| <input type="checkbox"/> BPT-2460GTB | <input type="checkbox"/> BPT-3036GTB |                                      |
| <input type="checkbox"/> BPT-2472GTB | <input type="checkbox"/> BPT-3048GTB |                                      |

### Tabletop

- Patented uni-lok® gusset system (patent #5,165,349): gussets are recessed into hat channel, reducing lateral movement.
- Top reinforced with welded-on hat channel.
- Sound-deadened between top and channels.
- 1½" (38mm)-diameter 180° rolled edges on front and rear. Ends are turned down 90°, providing for flush installations when required.
- Heavy gauge type 430 polished stainless steel.

### Crossbracing—1¼" (38mm)-diameter

- Heavy gauge, galvanized.
- Aluminum castings join crossbraces, legs and rear brace.

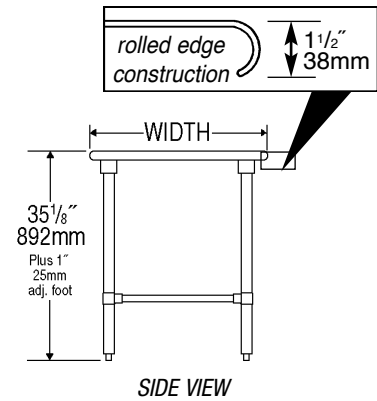
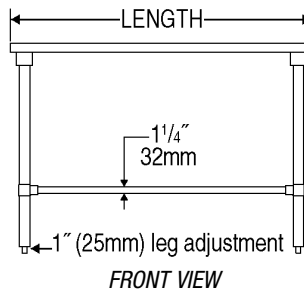
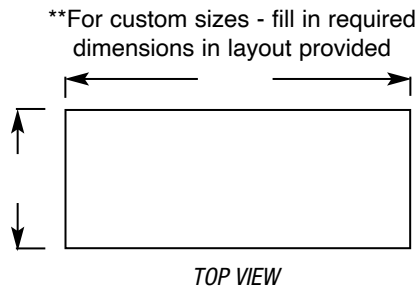
### Legs—1½" (41mm)-diameter

- Tables 96" (2438mm) and longer come with six legs or more.
- Heavy gauge galvanized steel.
- 1" (25mm) adjustable hi-impact plastic feet\*.

\* Optional casters available. Consult factory.

|              |       |
|--------------|-------|
| Item No.:    | _____ |
| Project No.: | _____ |
| S.I.S. No.:  | _____ |

## Worktables with Flat Top and Galvanized Tubular Base —Budget Series



| model #            | # of legs | width |     | length |      | weight |      |
|--------------------|-----------|-------|-----|--------|------|--------|------|
|                    |           | in.   | mm  | in.    | mm   | lbs.   | kg   |
| <i>BPT-2424GTB</i> | 4         | 24"   | 610 | 24"    | 610  | 44     | 20.0 |
| <i>BPT-2430GTB</i> | 4         | 24"   | 610 | 30"    | 762  | 51     | 23.1 |
| <i>BPT-2436GTB</i> | 4         | 24"   | 610 | 36"    | 914  | 53     | 24.0 |
| <i>BPT-2448GTB</i> | 4         | 24"   | 610 | 48"    | 1219 | 60     | 27.2 |
| <i>BPT-2460GTB</i> | 4         | 24"   | 610 | 60"    | 1524 | 79     | 35.8 |
| <i>BPT-2472GTB</i> | 4         | 24"   | 610 | 72"    | 1829 | 82     | 37.2 |
| <i>BPT-2484GTB</i> | 4         | 24"   | 610 | 84"    | 2134 | 132    | 59.9 |
| <i>BPT-2496GTB</i> | 6         | 24"   | 610 | 96"    | 2438 | 157    | 71.2 |
| <i>BPT-3024GTB</i> | 4         | 30"   | 762 | 24"    | 610  | 54     | 24.5 |
| <i>BPT-3030GTB</i> | 4         | 30"   | 762 | 30"    | 762  | 55     | 25.0 |
| <i>BPT-3036GTB</i> | 4         | 30"   | 762 | 36"    | 914  | 62     | 28.1 |
| <i>BPT-3048GTB</i> | 4         | 30"   | 762 | 48"    | 1219 | 77     | 34.9 |
| <i>BPT-3060GTB</i> | 4         | 30"   | 762 | 60"    | 1524 | 83     | 37.7 |
| <i>BPT-3072GTB</i> | 4         | 30"   | 762 | 72"    | 1829 | 105    | 47.6 |
| <i>BPT-3084GTB</i> | 4         | 30"   | 762 | 84"    | 2134 | 132    | 59.9 |
| <i>BPT-3096GTB</i> | 6         | 30"   | 762 | 96"    | 2438 | 169    | 76.7 |