



Profit from the Eagle Advantage®

Phone: (800) 441-8440 • (302) 653-3000

FAX: (302) 653-2065

Product Announcement

Short Form Specifications

Eagle Corner Mop Sink with Drop Edge, model _____.
Constructed of type 304 stainless steel, with 8"- or 12"-deep fabricated bowl with drop edge. Includes full apron and drain with flat strainer plate.

Item #:	_____
Model #:	_____
Project #:	_____
SIS #:	_____

EG8218A Rev. 03/23



Corner Mop Sinks with Drop Front Edge

Design and Construction Features

- Heavy gauge type 304 stainless steel bowl and skirt
- Fabricated bowl is fully welded and polished
- Bowl is creased to improve drainage and prevent pooling
- Front is dropped 3"
- Bowl is fully welded in skirt
- Drain is 2" brass no-caulk shower drain with 4½" stainless steel strainer

Options available:

- 3-Pole mop holder
- 4-Pole mop holder
- Hose and bracket
- Service faucet



corner mop sink #F2121-8-CDE

Five-sided corner construction allows easy access for use. 3" dropped front edge reduces the need to lift buckets for dumping. Included drain is no-caulk style, which easily attaches to plumbing stub up. Available in overall size of 24" x 24" with 21" x 21" sink bowl, or overall size of 27" x 27" with 24" x 24" sink bowl.

Four models offered: Two are 12" tall (with 8"-deep sink bowl) and the other two are 16" tall (with 12"-deep bowl).

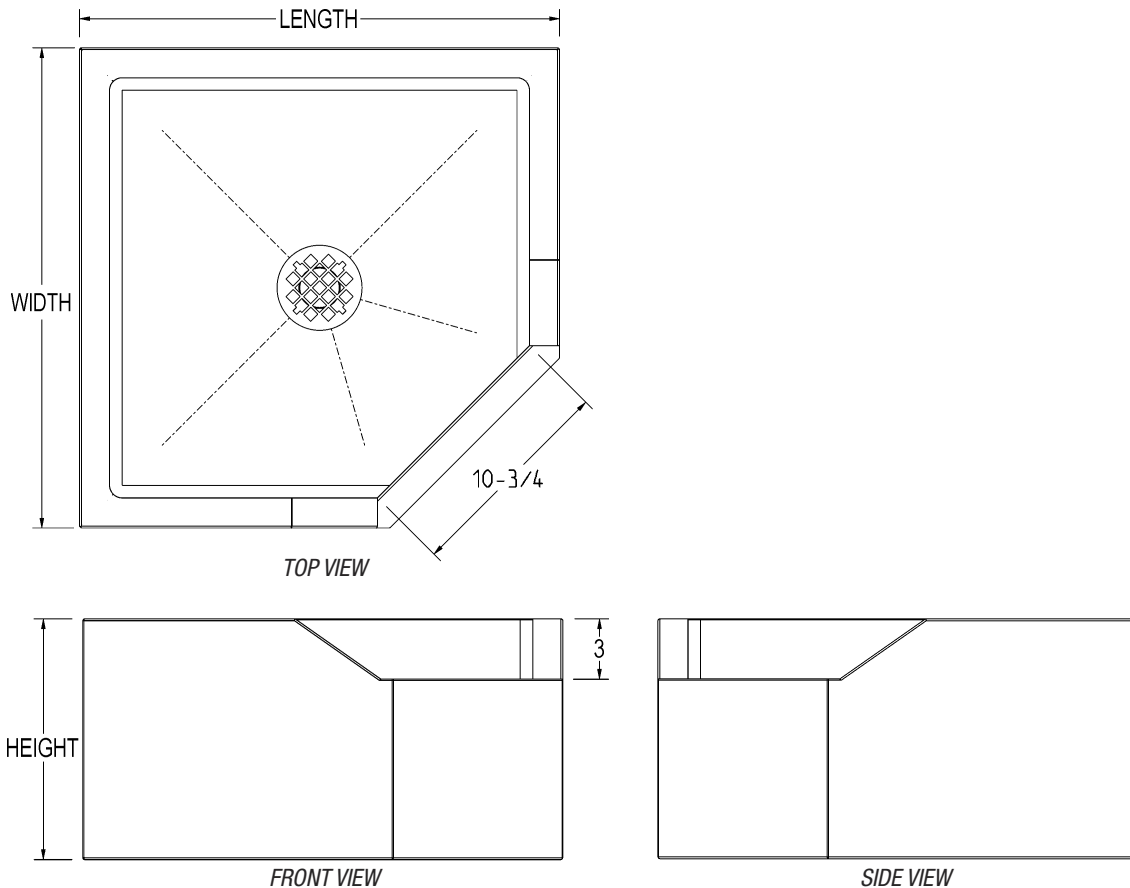
For custom configuration or fabrication needs, contact our **SpecFAB® Division**.

Phone: (302) 653-3000. FAX: (302) 653-2065.

E-mail: quotes@eaglegrp.com



Eagle Corner Mop Sinks



model #	bowl size		overall size		weight	
	width in.	length x depth mm	width in.	length x height mm	lbs.	kg
F2121-8-CDE	21" x 21" x 8"	533 x 533 x 203	24" x 24" x 12"	610 x 610 x 305	76	34.5
F2121-12-CDE	21" x 21" x 12"	533 x 533 x 305	24" x 24" x 16"	610 x 610 x 406	89	40.3
F2424-8-CDE	24" x 24" x 8"	610 x 610 x 203	27" x 27" x 12"	686 x 686 x 305	91	41.3
F2424-12-CDE	24" x 24" x 12"	610 x 610 x 305	27" x 27" x 16"	686 x 686 x 406	97	44.0

Optional Accessories

model #	description	weight	
		lbs.	kg
312688	3-pole mop holder, 18" x 4" (457 x 102mm), projects out 1 1/8" (35mm)	4	1.8
321561	4-pole mop holder, 24" x 4" (610 x 102mm), projects out 1" (25mm)	4.5	2.0
312689	Hose & bracket, 30" (762mm) length	8	3.6
312690	Service faucet, 8" (203mm) center, 1/2" (13mm) NPT female inlets, comes with vacuum breaker	11	5.0