



Profit from the Eagle Advantage®

Phone: (800) 441-8440 • (302) 653-3000

FAX: (302) 653-2065

Product Announcement

Short Form Specifications

Eagle Group SPEC-BAR® Portable Bar, model #SBPB-DBL-6. Welded 1-1/2" type 300 stainless steel square tubular base construction. 80" length, 32" wide, 48" high with 34" work height. Fully mobile - standard 4" poly tread casters with brake. Double ice bins measure 15" x 21" x 8" with 1-1/2" drain. Single 10" x 12" dumpsink with perforated insert and 1-1/2" drain. Double speedrail measures 72". Storage for four (4) 20" x 20" x 4" glass racks. Ice bins and dump sink plumbed independently.

Item #:	_____
Model #:	_____
Project #:	_____
SIS #:	_____

EG8215DBL Rev. 01/23

Design & Construction Features:

- Welded 1½" type 300 stainless steel square tubular base construction
- Stainless steel top with marine edge.
- 4" casters with brake
- Double Ice bins measure 15" x 21" x 8" with 1-1/2" drain.
- 10" x 12" dump sink with perforated insert.
- Full length double speed rail
- Storage for four 20" x 20" x 4" glass racks

Options

- Solid surface bar top
- Lift-up stainless steel end countertops
- Laminate or powder coated panels

For custom configuration or fabrication needs, contact our **SpecFAB® Division**.

Phone: (302) 653-3000. FAX: (302) 653-2065.

E-mail: quotes@eaglegrp.com

New SPEC-BAR® Portable Bar with Double Ice Bins



SPEC-BAR® Portable Bar #SBPB-DBL-6



optional lift-up end countertop

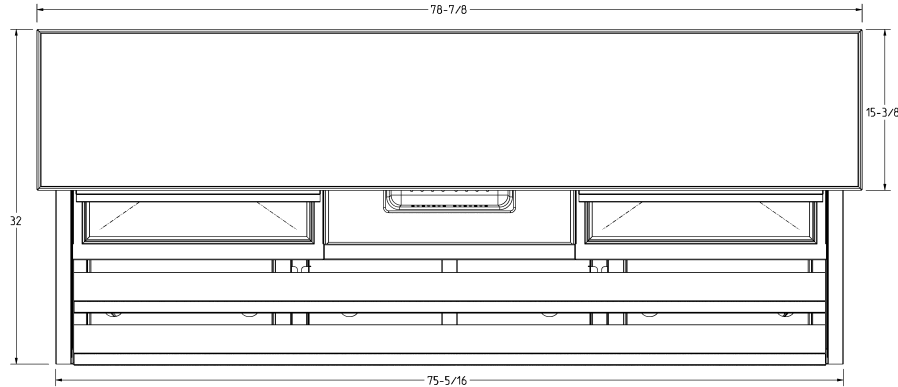
SPEC-BAR® Portable Bar combines Eagle Group's most popular back bar equipment with a rugged stainless steel tubular frame to create a compact and capable mobile workstation. The double ice bins, dump sink, and full length speed rail will have your bartenders serving drinks from both barrels.



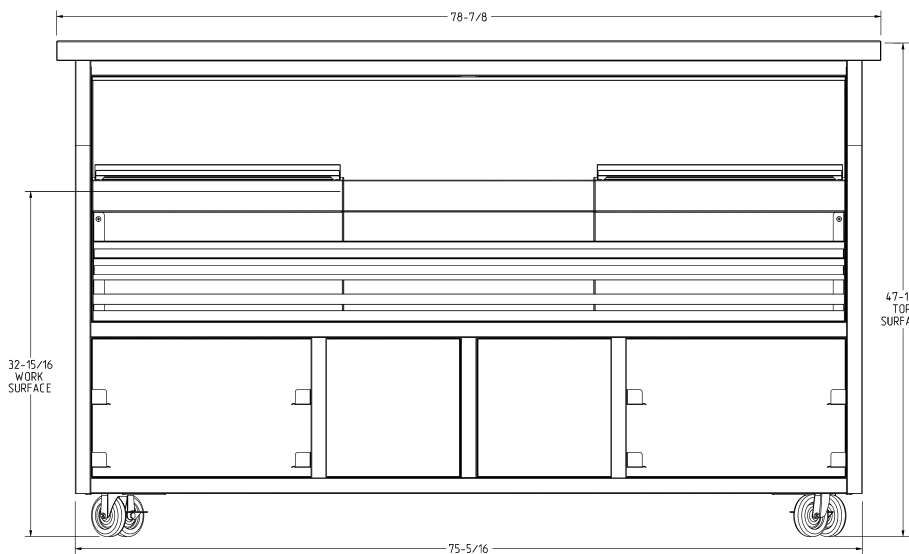


Profit from the Eagle Advantage®

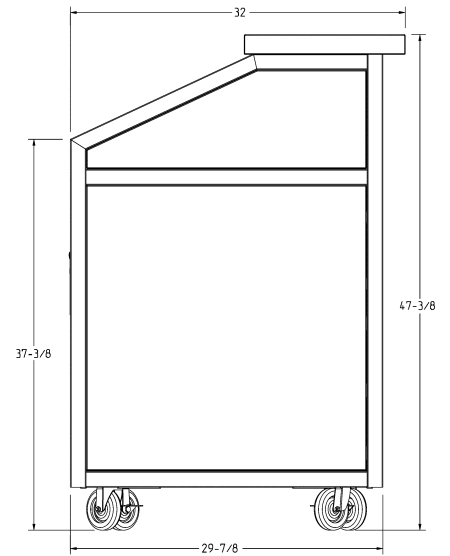
SPEC-BAR® Portable Bar with Double Ice Bins



TOP VIEW



FRONT VIEW (WORKER'S SIDE)



SIDE VIEW

O.A. size (length x width x height)		working height		model #
in.	mm	in.	mm	
80"	2032	34"	864	SBPB-DBL-6

Printed in U.S.A.
©2023 by Eagle Group

EG8215DBL Rev. 01/23

Phone: (800) 441-8440 or (302) 653-3000 • Fax: (302) 653-2065 • www.eaglegrp.com • www.eaglegrpnews.com • www.eaglehmc.com

Although every attempt has been made to ensure the accuracy of the information provided, we cannot be held responsible for typographical or printing errors. Information and specifications are subject to change without notice. Please confirm at time of order.