



Profit from the Eagle Advantage®

Phone: (800) 441-8440 • (302) 653-3000

FAX: (302) 653-2065

Product Announcement

Short Form Specifications

Eagle Spec-Bar® Glass Rinser, model #_____. Heavy gauge type 300 stainless steel pan with safety edges. Glass rinser features a 4½"-diameter actuation disk, comes with 12" long braided stainless hose with a ¾" compression fitting and a ½" FIP fitting. Inline, preset pressure regulator provided. Removable stainless steel trough cover. ½" drain with barbed drain fitting provided. Model #BTGR is a bar top rinser. Model #UBGR features reinforced bracket with holes for mounting under bar top.

Item #:	_____
Model #:	_____
Project #:	_____
SIS #:	_____

EG8184 Rev. 01/23

New Spec-Bar® Glass Rinsers

Design and Construction Features:

- Type 300 series stainless steel construction
- 4½" -diameter actuation disk
- ½" FNPT stainless steel fitting welded to pan for drain
- Inline preset pressure regulator
- Removable stainless steel trough cover

#BTGR Bar Top Glass Rinser:

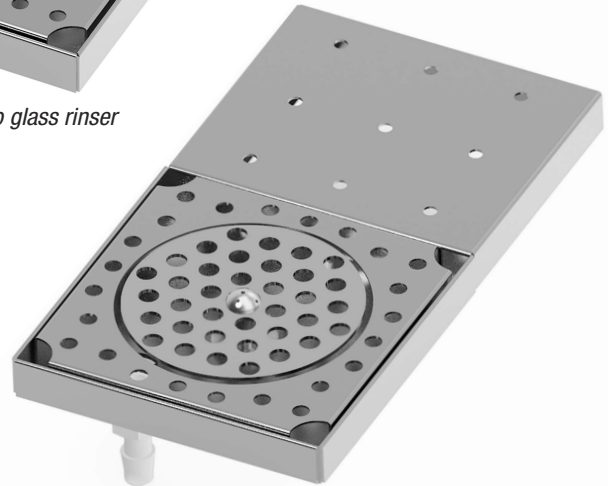
- 6½" x 6½" overall size

#UBGR Underbar Glass Rinser:

- Includes reinforced bracket for mounting to underside of bar



#BTGR bar top glass rinser



#UBGR underbar glass rinser

Eagle's NEW Bar Top Glass Rinser is a convenient means to thoroughly rinse to completion within seconds. Take a glass, turn it upside-down, place it on the glass rinser, and push down to activate it. It's that easy! Applicable to any drinkware—from narrow champagne flutes to wine glasses—it reaches where you can't.

Choose from two models, depending on where you want the glass rinser: the 6-inch square size of the bar top rinser barely takes up any counter space. The underbar rinser comes with a reinforced bracket for mounting to underside of bar.

For custom configuration or fabrication needs, contact our **SpecFAB® Division**.

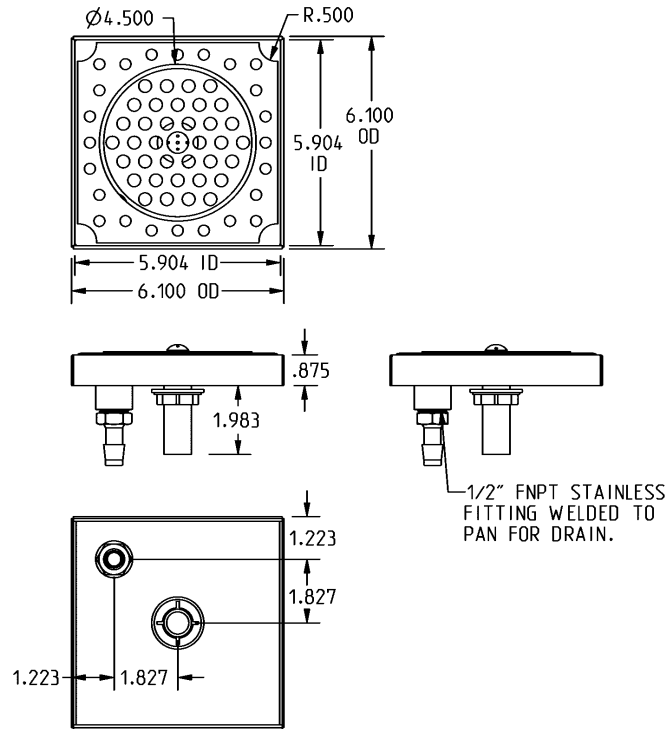
Phone: (302) 653-3000. FAX: (302) 653-2065.

E-mail: quotes@eaglegrp.com



Eagle Spec-Bar® Glass Rinsers

#BTGR Bar Top Glass Rinsers



#UBGR Underbar Glass Rinsers

