



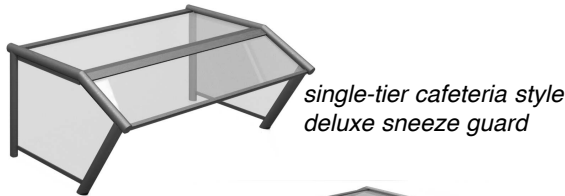
Profit from the Eagle Advantage®

Specification Sheet

Short Form Specifications

Eagle Group Director's Choice® Decorative Deluxe Sneeze Guard, model # _____. 1¼"-diameter stainless steel tubing. Polycarbonate front and end panels. Available in single- or double-tier models, buffet- or cafeteria-styles.

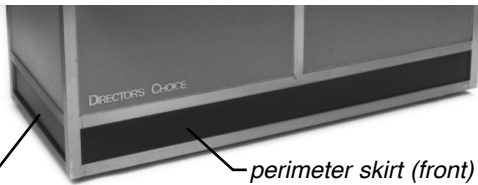
Eagle Group Director's Choice® Decorative Perimeter Skirt, model # _____. Matches framework construction of unit base. Also serves as kick plate. Front, rear, and end skirts available.



single-tier cafeteria style deluxe sneeze guard



double-tier buffet style deluxe sneeze guard



perimeter skirt (end)

perimeter skirt (front)

Options / Accessories for Decorative Sneeze Guards

- Fully enclosed sneeze guards*** (for Cafeteria Style only)
- Tempered glass**** with capped edges
- Heat lamps—add suffix “-F”
- Display lights—add suffix “-L”
- Custom shapes
- Square frame profile
- Multiple tiers

*** Facilitates “passover operation” for complete food protection.

**** Meets ANSI Z97.1 standards

EAGLE GROUP

100 Industrial Boulevard
Clayton, DE 19938-8903 USA

Phone: 302-653-3000 • 800-441-8440

Fax: 302-653-2065

www.eaglegrp.com • www.eaglehmc.com

For custom configuration or fabrication needs, contact our SpecFAB® Division.

Phone: 302-653-3000 • Fax: 302-653-2065 • e-mail: quotes@eaglegrp.com

Item No.: _____
Project No.: _____
S.I.S. No.: _____

Director's Choice® Custom Accessories – Per Application —Decorative Deluxe Sneeze Guards and Perimeter Skirts

MODELS:

- | | | |
|---------------------------------------|---------------------------------------|---------------------------------|
| <input type="checkbox"/> DCS2-DSG-CST | <input type="checkbox"/> DCS4-DSG-BDT | <input type="checkbox"/> DC3-FS |
| <input type="checkbox"/> DCS2-DSG-BST | <input type="checkbox"/> DCS5-DSG-CST | <input type="checkbox"/> DC3-RS |
| <input type="checkbox"/> DCS2-DSG-CDT | <input type="checkbox"/> DCS5-DSG-BST | <input type="checkbox"/> DC4-FS |
| <input type="checkbox"/> DCS2-DSG-BDT | <input type="checkbox"/> DCS5-DSG-CDT | <input type="checkbox"/> DC4-RS |
| <input type="checkbox"/> DCS3-DSG-CST | <input type="checkbox"/> DCS5-DSG-BDT | <input type="checkbox"/> DC5-FS |
| <input type="checkbox"/> DCS3-DSG-BST | <input type="checkbox"/> DCS6-DSG-CST | <input type="checkbox"/> DC5-RS |
| <input type="checkbox"/> DCS3-DSG-CDT | <input type="checkbox"/> DCS6-DSG-BST | <input type="checkbox"/> DC6-FS |
| <input type="checkbox"/> DCS3-DSG-BDT | <input type="checkbox"/> DCS6-DSG-CDT | <input type="checkbox"/> DC6-RS |
| <input type="checkbox"/> DCS4-DSG-CST | <input type="checkbox"/> DCS6-DSG-BDT | <input type="checkbox"/> DC2-ES |
| <input type="checkbox"/> DCS4-DSG-BST | <input type="checkbox"/> DC2-FS | |
| <input type="checkbox"/> DCS4-DSG-CDT | <input type="checkbox"/> DC2-RS | |

Decorative Deluxe Sneeze Guards*

- Fabricated from 1¼" (32mm)-diameter stainless steel tubing.
- Clear polycarbonate front and end panels.
- Edges trimmed with a metal channel.
- Cafeteria style for passover service or self-service.
- Buffet style self-service applications for islands or dual service.
- Stainless steel finish, or choose from Eagle's Stand-Outs™ custom epoxy color selection:
 - Black matte (add suffix **BM**)
 - Lilac (add suffix **L**)
 - Maroon (add suffix **M**)
 - Silver vein (add suffix **SV**)
 - Saffire (add suffix **SA**)
 - Smoked Glass (add suffix **SG**)
 - Teal (add suffix **T**)
 - Gold vein (add suffix **GV**)
 - Copper vein (add suffix **CV**)
 - Ruby (add suffix **RU**)

* Factory-installation is a requirement.

Decorative Perimeter Skirts

- Matches framework construction of Director's Choice base.
- Serves as fixed skirt and kick plate.
- Available on front**, ends or all sides.
- Stainless steel finish with standard black inlay, or choose laminate to match decor.

** Front skirts require recessed casters, which are hidden by perimeter skirt.



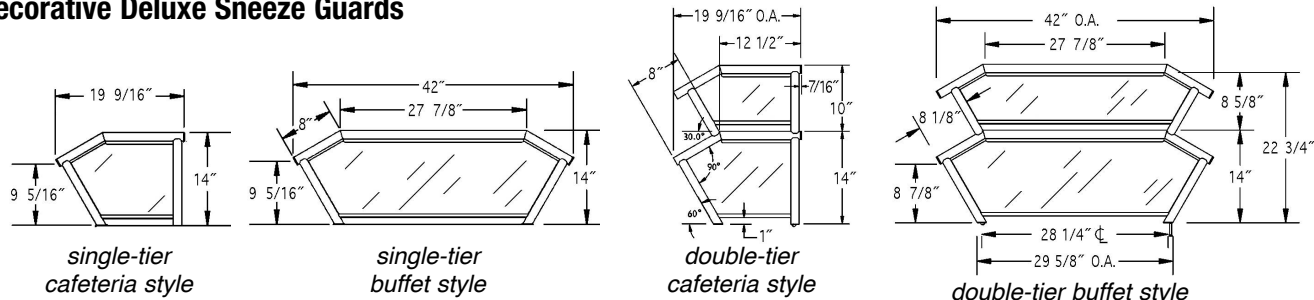


Profit from the Eagle Advantage®

Item No.: _____
 Project No.: _____
 S.I.S. No.: _____

Director's Choice® Custom Accessories – Per Application

Decorative Deluxe Sneeze Guards



fits Series	# of legs	length in. mm	Single-Tier Sneeze Guards		Double-Tier Sneeze Guards	
			CAFETERIA STYLE model #	BUFFET STYLE model #	CAFETERIA STYLE model #	BUFFET STYLE model #
DCS2	2	36" 914	DCS2-DSG-CST	DCS2-DSG-BST	DCS2-DSG-CDT	DCS2-DSG-BDT
DCS3	2	50" 1270	DCS3-DSG-CST	DCS3-DSG-BST	DCS3-DSG-CDT	DCS3-DSG-BDT
DCS4	3	64" 1626	DCS4-DSG-CST	DCS4-DSG-BST	DCS4-DSG-CDT	DCS4-DSG-BDT
DCS5	3	78" 1981	DCS5-DSG-CST	DCS5-DSG-BST	DCS5-DSG-CDT	DCS5-DSG-BDT
DCS6	3	96" 2438	DCS6-DSG-CST	DCS6-DSG-BST	DCS6-DSG-CDT	DCS6-DSG-BDT

Options for Decorative Deluxe Sneeze Guards

REDHOTS® Heat Lamps

Attaches to underside of sneeze guard (or to underside of bottom sneeze guard on double-tier units). Wired to cord and plug, exit to base of unit. To order, add suffix "-F" (ex: DCS2-DSG-CST-F).

REDHOTS® Display Lights

Wired to cord and plug, exit base of unit. Must be factory-installed. To order, add suffix "-L" (ex: DCS3-DSG-BST-L).

fits Series	unit length				unit length			
	in.	mm	electrical data	add suffix*	in.	mm	electrical data	add suffix*
DCS2 [36" (914mm)-long]	30"	762	120V, 3.8A, 450W	-F	30"	762	120V, 1.0A, 120W	-L
DCS3 [50" (1270mm)-long]	42"	1067	120V, 5.6A, 675W	-F	42"	1067	120V, 1.5A, 180W	-L
DCS4 [64" (1626mm)-long]	60"	1524	120V, 8.8A, 1050W	-F	60"	1524	120V, 2.5A, 300W	-L
DCS5 [78" (1981mm)-long]	72"	1829	120V, 10.6A, 1275W	-F	72"	1829	120V, 3.0A, 360W	-L
DCS6 [96" (2438mm)-long]	84"	2134	120V, 12.5A, 1500W	-F	84"	2134	120V, 3.5A, 420W	-L

Powder Coating

Coating over mild steel. Specify model number with Eagle's SpecFAB® department.

Decorative Perimeter Skirts

Front and Rear Skirts

description	FRONT SKIRTS	REAR SKIRTS
	model #	model #
for 36" (914mm)-long units	DC2-FS	DC2-RS
for 50" (1270mm)-long units	DC3-FS	DC3-RS
for 64" (1626mm)-long units	DC4-FS	DC4-RS
for 78" (1981mm)-long units	DC5-FS	DC5-RS
for 96" (2438mm)-long units	DC6-FS	DC6-RS

End Skirt

description	length		model #
	in.	mm	
for end only	30"	762	DC2-ES

Other Custom Accessories available – Per Application

- Drain Valve Extensions
- Cutting Boards
- Receptacles and Remote Switches
- Custom Cutouts
- Recessed Casters
- Pricing for Convenience Outlets
 - Outlet/Box only field-wired *
 - Outlet/Box/Cord & Plug
 - Outlet/Box/Cord & Plug/Fuse

* Outlet/Box should have a tether when field-wired

EAGLE GROUP

100 Industrial Boulevard, Clayton, DE 19938-8903 USA
 Phone: 302-653-3000 or 800-441-8440 • Fax: 302-653-2065
 www.eaglegrp.com • www.eaglehmc.com

Printed in U.S.A.
 ©2022 by Eagle Group

Rev. 09/22

Spec sheets available for viewing, printing or downloading from our online literature library at www.eaglegrp.com

Although every attempt has been made to ensure the accuracy of the information provided, we cannot be held responsible for typographical or printing errors. Information and specifications are subject to change without notice. Please confirm at time of order.