

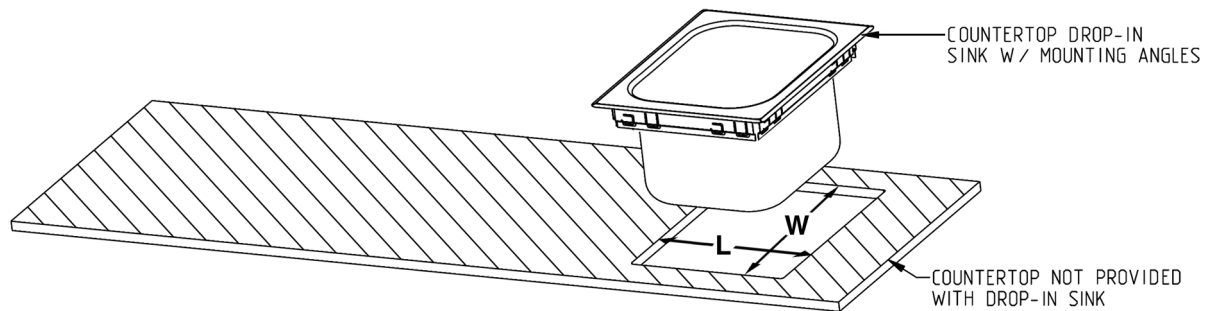
Top-Mount Countertop Drop-In Self-Rim Design Sinks with No Deck

INSTALLATION INSTRUCTIONS

FOR MOUNTING SINK ONTO UNDERSIDE OF COUNTERTOP
(ALSO KNOWN AS “BOTTOM MOUNT”), SEE PAGE 3.

CAUTION

INSPECT CONTENTS IMMEDIATELY AND FILE CLAIM WITH DELIVERING CARRIER FOR ANY DAMAGE.
SAVE YOUR BOX AND ALL PACKING MATERIALS.
YOU ARE RESPONSIBLE FOR DAMAGE TO YOUR UNIT IF RETURNED IMPROPERLY PACKED.



Top-Mount Cutout Dimensions

model # cutout dimensions
(width x length)

One-Compartment Sinks

SR10-14-5-1-ND	15 ¹ / ₄ " x 11 ¹ / ₄ "
SR10-14-9.5-1-ND	15 ¹ / ₄ " x 11 ¹ / ₄ "
SR12-14-9.5-1-ND	15 ¹ / ₄ " x 13 ¹ / ₄ "
SR14-16-9.5-1-ND	17 ¹ / ₄ " x 15 ¹ / ₄ "
SR16-19-8-1-ND	21" x 17"
SR16-19-13.5-1-ND	21" x 17"
SR18-24-13.5-1-ND	25" x 19"
SR22-22-13.5-1-ND	23 ¹ / ₄ " x 23 ¹ / ₄ "
SR24-24-13.5-1-ND	25" x 25"

Two-Compartment Sinks

SR10-14-9.5-2-ND	15 ¹ / ₄ " x 23 ¹ / ₄ "
SR12-14-9.5-2-ND	15 ¹ / ₄ " x 27 ¹ / ₄ "

model # cutout dimensions
(width x length)

Two-Compartment Sinks

SR14-16-9.5-2-ND	17 ¹ / ₄ " x 31 ¹ / ₄ "
SR16-19-8-2-ND	21" x 34 ³ / ₄ "
SR16-19-13.5-2-ND	21" x 34 ³ / ₄ "
SR18-24-13.5-2-ND	25" x 38 ³ / ₄ "
SR22-22-13.5-2-ND	23 ¹ / ₄ " x 47 ¹ / ₄ "
SR24-24-13.5-2-ND	25" x 50 ³ / ₄ "

Three-Compartment Sinks

SR10-14-9.5-3-ND	15 ¹ / ₄ " x 35 ¹ / ₄ "
SR12-14-9.5-3-ND	15 ¹ / ₄ " x 41 ¹ / ₄ "
SR14-16-9.5-3-ND	17 ¹ / ₄ " x 47 ¹ / ₄ "
SR16-19-8-3-ND	21" x 52 ¹ / ₂ "
SR16-19-13.5-3-ND	21" x 52 ¹ / ₂ "
SR18-24-13.5-3-ND	25" x 58 ¹ / ₂ "

(continued on next page)

EG9994 Revised 01/24



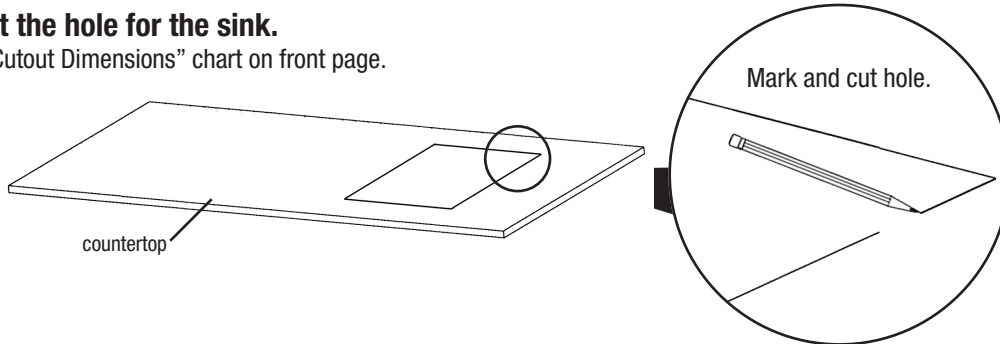
• 100 Industrial Boulevard, Clayton, Delaware 19938-8903 U.S.A.
• Phone: 302/653-3000 • 800/441-8440 • Fax: 302/653-2065
• www.eaglegrp.com • www.eaglehmc.com

Top-Mount Countertop Drop-In Self-Rim Design Sinks with No Deck

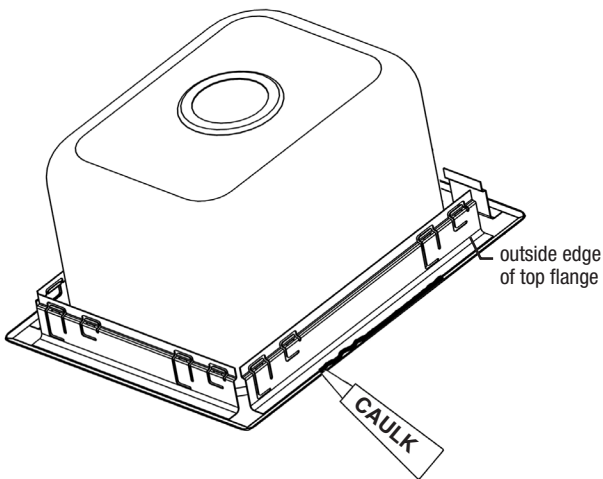
INSTALLATION INSTRUCTIONS

Step 1 - Cut the hole for the sink.

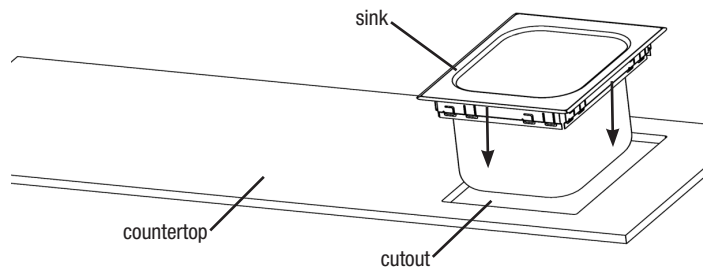
Refer to the "Cutout Dimensions" chart on front page.



Step 2 - Caulk under the outside edge of the top flange.

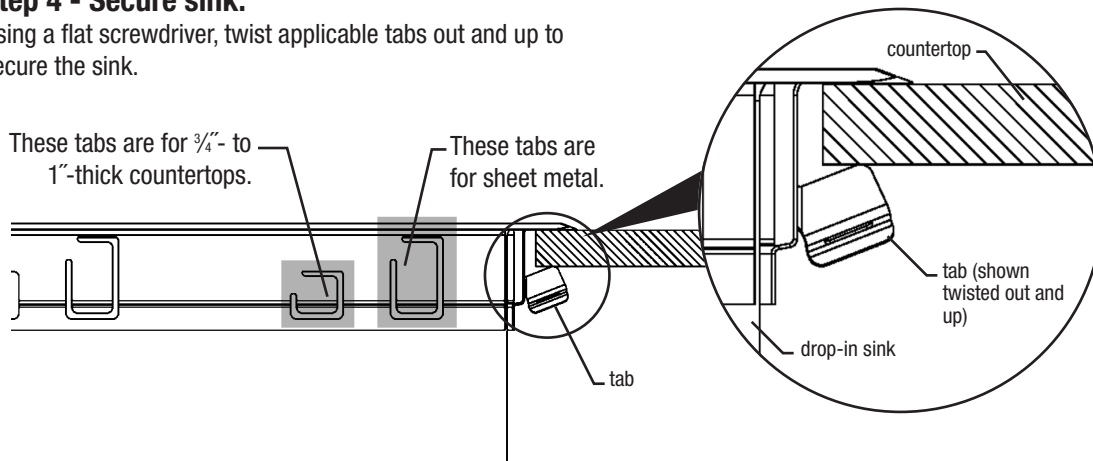


Step 3 - Carefully place the sink inside the cutout.



Step 4 - Secure sink.

Using a flat screwdriver, twist applicable tabs out and up to secure the sink.



(End)

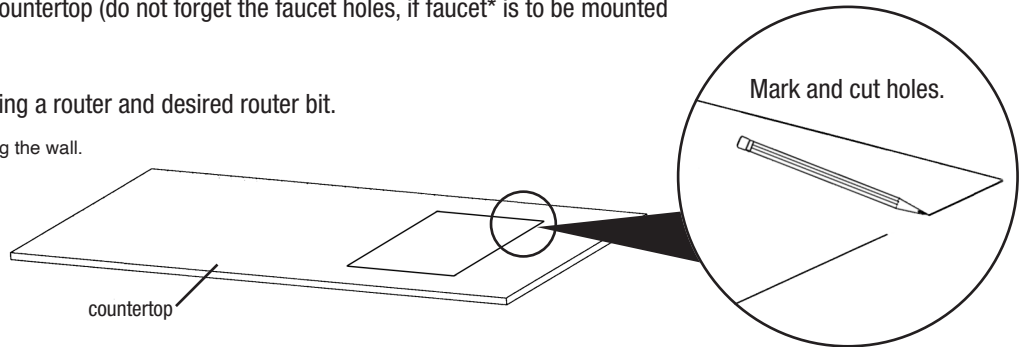
Bottom-Mount Countertop Self-Rim Design Sinks with No Deck

INSTALLATION INSTRUCTIONS

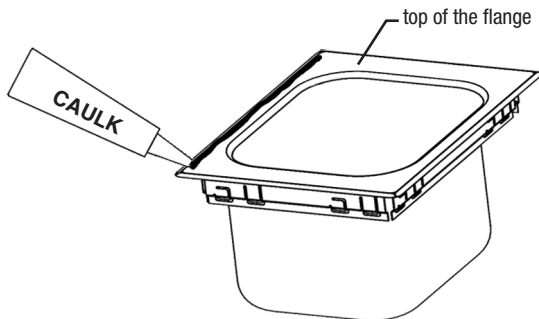
Step 1 - Referring to the cutout template (if included), cut the hole for the sink.

- Check the size of the template with the sink.
- Carefully cut out the template, according to "BOTTOM MOUNTING" verbiage.
- Transfer the dimensions to the countertop (do not forget the faucet holes, if faucet* is to be mounted with sink onto countertop).
- Cut the hole.
- Finish the edge of the cutout, using a router and desired router bit.

* Faucet can be mounted anywhere, including the wall.

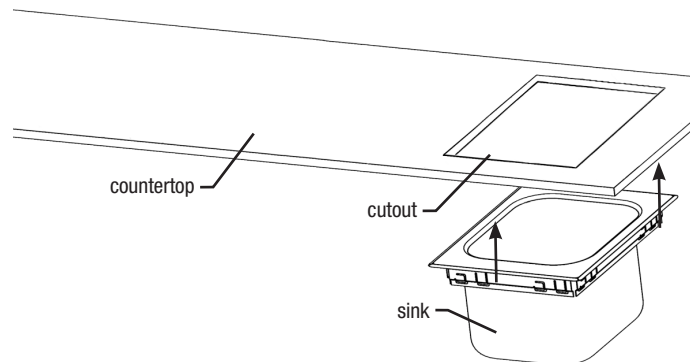


Step 2 - Caulk the top of the flange.



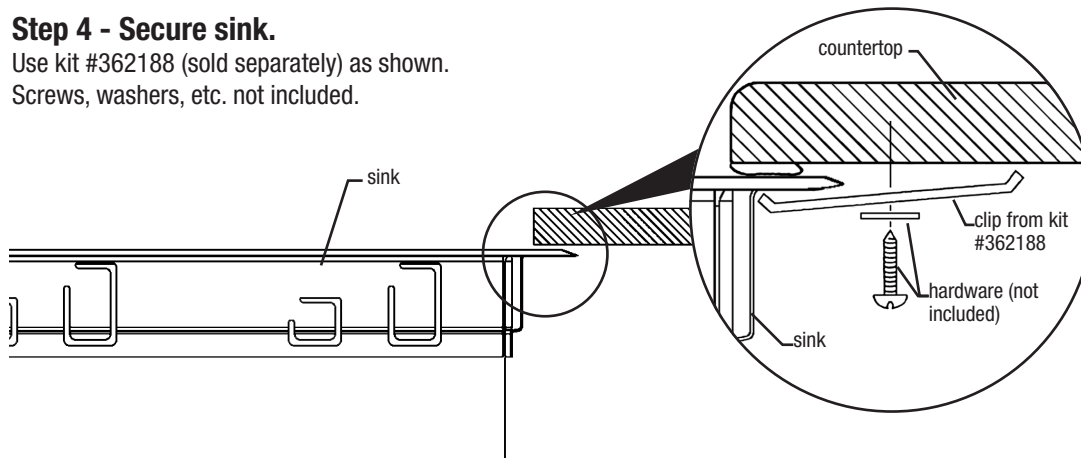
Step 3 - Place the sink under the cutout.

A second person, or a temporary prop, might be needed to hold the sink in place.



Step 4 - Secure sink.

Use kit #362188 (sold separately) as shown.
Screws, washers, etc. not included.



(End)