



Profit from the Eagle Advantage®

Specification Sheet

Short Form Specifications

Eagle Q-LEVER® Overhead Storage Station, model # _____ . Features two 76" uprights with legs & feet, X-brace assembly, and two overshelves.

Eagle Q-LEVER® Task Station, model # _____ . Features the same as Overhead Storage Station, plus removable stainless steel top and removable wall grid.

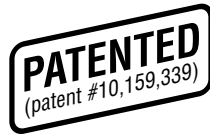
Uprights feature Valu-Master® gray epoxy. Shelves offered with Valu-Master® gray or Valu-Gard® green epoxy finish.



Overhead Storage Station



Task Station



Item No.:	_____
Project No.:	_____
S.I.S. No.:	_____

Q-LEVER® Overhead Storage Stations and Task Stations

MODELS:

- | | |
|--------------------------------------|--------------------------------------|
| <input type="checkbox"/> Q2436*76-OS | <input type="checkbox"/> Q2436*76-TS |
| <input type="checkbox"/> Q2442*76-OS | <input type="checkbox"/> Q2442*76-TS |
| <input type="checkbox"/> Q2448*76-OS | <input type="checkbox"/> Q2448*76-TS |
| <input type="checkbox"/> Q2454*76-OS | <input type="checkbox"/> Q2454*76-TS |
| <input type="checkbox"/> Q2460*76-OS | <input type="checkbox"/> Q2460*76-TS |
| <input type="checkbox"/> Q3036*76-OS | <input type="checkbox"/> Q3036*76-TS |
| <input type="checkbox"/> Q3042*76-OS | <input type="checkbox"/> Q3042*76-TS |
| <input type="checkbox"/> Q3048*76-OS | <input type="checkbox"/> Q3048*76-TS |
| <input type="checkbox"/> Q3054*76-OS | <input type="checkbox"/> Q3054*76-TS |
| <input type="checkbox"/> Q3060*76-OS | <input type="checkbox"/> Q3060*76-TS |

* See charts on back page for complete model numbers.

Design & Construction Features

- Overhead Storage Stations and Task Stations include uprights with legs and feet, X-brace assembly, and two wire overshelves.
- Task Stations also include 14 gauge type 304 stainless steel removable tabletop and removable wall grid with 3" x 3" (76 x 76mm) mesh.
- Feet are prepunched to allow anchoring* to floor.
- Choice of Valu-Master® gray or Valu-Gard® green epoxy finish on shelves.
- Valu-Master® gray epoxy finish on uprights.

* Hardware to anchor unit to floor not included.

Options / Accessories

- Drawers (for Task Station)

EAGLE GROUP

100 Industrial Boulevard
Clayton, DE 19938-8903 USA

Phone: 302-653-3000 • 800-441-8440

Fax: 302-653-2065

www.eaglegrp.com • www.eaglemhc.com

For custom configuration or fabrication needs, contact our SpecFAB® Division.

Phone: 302-653-3000 • Fax: 302-653-2065 • e-mail: quotes@eaglegrp.com

Certifications / Approvals



AutoQuotes



EG01.61 Rev. 06/21

Spec sheets available for viewing, printing or downloading from our online literature library at www.eaglegrp.com

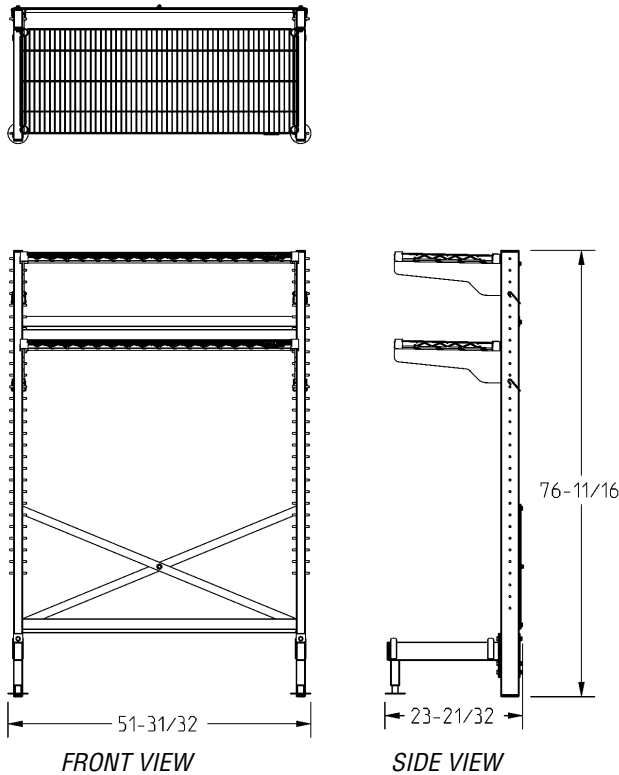
Eagle Foodservice Equipment, Eagle MHC, and SpecFAB® are divisions of Eagle Group. ©2021 by the Eagle Group



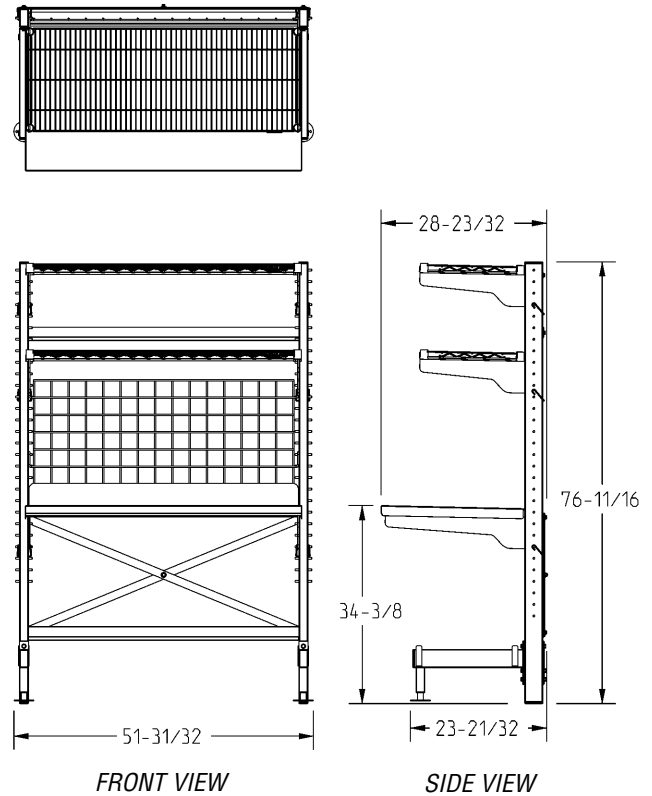
Item No.: _____
 Project No.: _____
 S.I.S. No.: _____

Q-LEVER® Overhead Storage Stations and Task Stations

Overhead Storage Stations



Task Stations



Overhead Storage Stations

...WITH 24" (610mm) -WIDE TABLETOP ...WITH 30" (762mm) -WIDE TABLETOP

shelf length	unit* length	Shelves with Valu-Master® finish	Shelves with Valu-Gard® finish	Shelves with Valu-Master® finish	Shelves with Valu-Gard® finish
36" 914	37 1/2" 953	Q2436V76-OS	Q2436VG76-OS	Q3036V76-OS	Q3036VG76-OS
42" 1067	43 1/2" 1105	Q2442V76-OS	Q2442VG76-OS	Q3042V76-OS	Q3042VG76-OS
48" 1219	49 1/2" 1257	Q2448V76-OS	Q2448VG76-OS	Q3048V76-OS	Q3048VG76-OS
54" 1372	55 1/2" 1410	Q2454V76-OS	Q2454VG76-OS	Q3054V76-OS	Q3054VG76-OS
60" 1524	61 1/2" 1562	Q2460V76-OS	Q2460VG76-OS	Q3060V76-OS	Q3060VG76-OS

Task Stations

...WITH 24" (610mm) -WIDE TABLETOP ...WITH 30" (762mm) -WIDE TABLETOP

Shelves with Valu-Master® finish	Shelves with Valu-Gard® finish	Shelves with Valu-Master® finish	Shelves with Valu-Gard® finish
Q2436V76-TS	Q2436VG76-TS	Q3036V76-TS	Q3036VG76-TS
Q2442V76-TS	Q2442VG76-TS	Q3042V76-TS	Q3042VG76-TS
Q2448V76-TS	Q2448VG76-TS	Q3048V76-TS	Q3048VG76-TS
Q2454V76-TS	Q2454VG76-TS	Q3054V76-TS	Q3054VG76-TS
Q2460V76-TS	Q2460VG76-TS	Q3060V76-TS	Q3060VG76-TS

* Dimensions are nominal.

EAGLE GROUP
 100 Industrial Boulevard, Clayton, DE 19938-8903 USA
 Phone: 302-653-3000 or 800-441-8440 • Fax: 302-653-2065
 www.eaglegrp.com • www.eaglehmc.com

Printed in U.S.A.
 ©2021 by Eagle Group
 Rev. 06/21

Spec sheets available for viewing, printing or downloading from our online literature library at www.eaglegrp.com

Although every attempt has been made to ensure the accuracy of the information provided, we cannot be held responsible for typographical or printing errors. Information and specifications are subject to change without notice. Please confirm at time of order.