

# Cantilevered Shelving

## Mounting to Galvanized or Aluminum Sheet Metal

### INSTALLATION INSTRUCTIONS

(For mounting to Stainless Steel Sheet Metal, see page 3)

#### CAUTION

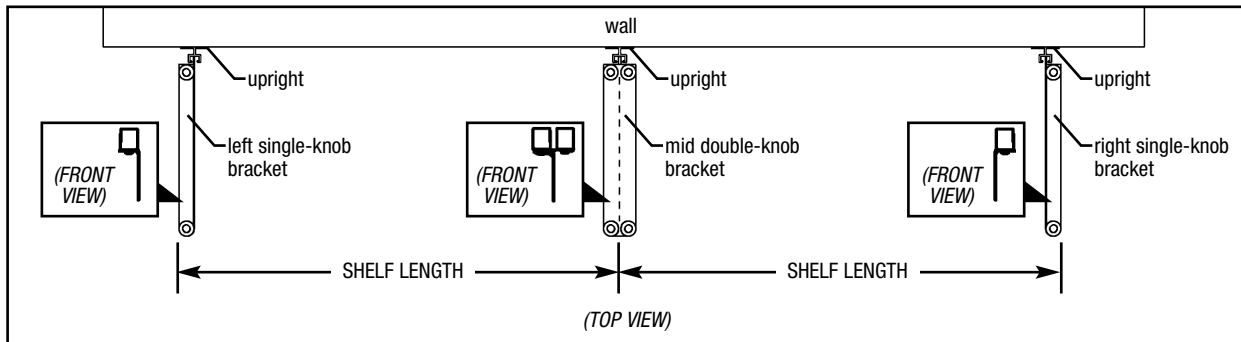
INSPECT CONTENTS IMMEDIATELY AND FILE CLAIM WITH DELIVERING CARRIER FOR ANY DAMAGE. **SAVE YOUR BOX AND ALL PACKING MATERIALS.** YOU ARE RESPONSIBLE FOR DAMAGE TO YOUR UNIT IF RETURNED IMPROPERLY PACKED.

#### Tools required for installation:

- laser level
  - awl (ice pick or finely tapered nail set)
  - standard Phillips screwdriver (or electric screwdriver with variable torque setting)
- Note: If an electric screwdriver is being used, and is torque-adjustable, set it to the lowest torque setting to avoid over-tightening and stripping the screws.*

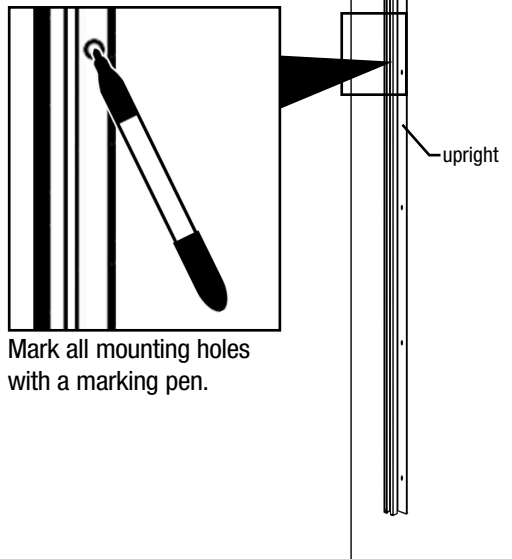
#### Wall-Mounting Hardware furnished:

- #10 x 1/2" sheet metal screws, zinc-plated



#### Step 1 - Mark holes for 1st upright.

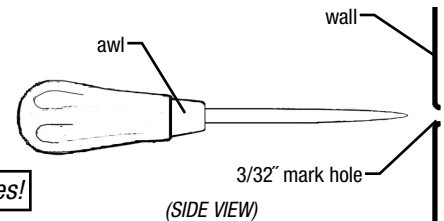
Place upright vertically and plumb against the wall, pushing it up until it touches the ceiling.



#### Step 2 - Punch holes.

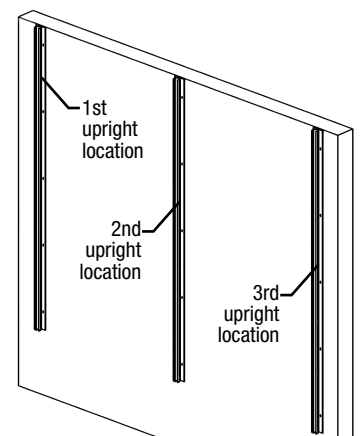
Remove upright and make small punch hole at each mark, no larger than 3/32"-diameter, with the awl.

**IMPORTANT: Do not drill mounting holes!**



#### Step 3 - Refer to the illustration above to determine location(s) of remaining upright(s), and repeat Steps 1 and 2.

*Note: It might be helpful to temporarily mount bracket onto upright to determine location(s) of remaining upright(s). See illustration above to determine appropriate bracket.*



(continued on next page)

EG9971 Revised 02/24

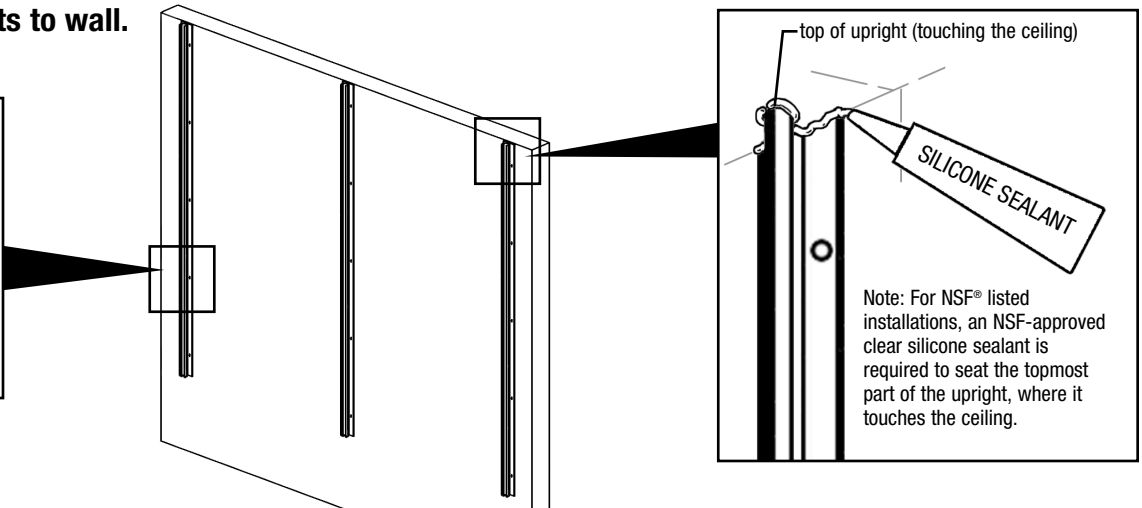
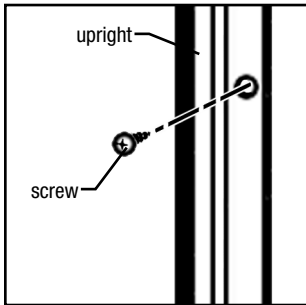
# Cantilevered Shelving

## Mounting to Galvanized or Aluminum Sheet Metal

### INSTALLATION INSTRUCTIONS

#### Step 4 - Attach uprights to wall.

DO NOT OVER-TIGHTEN.



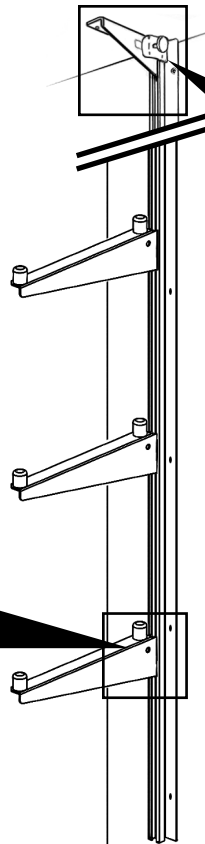
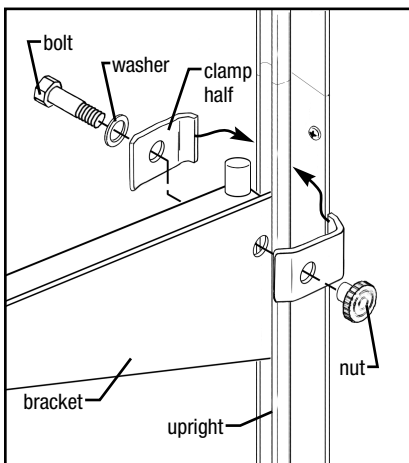
Note: For NSF® listed installations, an NSF-approved clear silicone sealant is required to seat the topmost part of the upright, where it touches the ceiling.

#### Before permanently installing shelf brackets, please note:

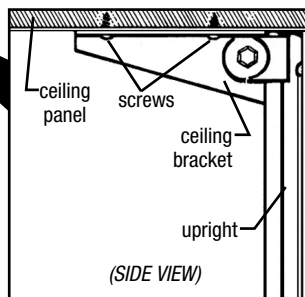
- Single-knob shelf brackets are flanged left or right, and are mounted onto uprights located at each end of a shelving run. To maximize space, mount these brackets so that the flange points away from shelving run (see illustration on front page).
- Double-knob shelf brackets are mounted onto intermediate uprights, if any.
- On uprights adjacent to each other, make sure to mount brackets at the same heights. This will ensure level shelving.

#### Step 5 - Mount shelf brackets at desired heights to 1st upright.

- Start with end of shelving run (note appropriate flange of bracket).
- Fasten shelf bracket to upright with the two clamp halves, bolt and nut (as shown).
- Repeat for each shelf bracket.



#### Step 6 - Mount ceiling bracket\* to 1st upright.



- Use the same hole-punching procedure as in Step 2. Keep the holes very small.
- Fasten the four sheet metal screws through the ceiling bracket and into the ceiling panel (as shown). DO NOT OVER-TIGHTEN.
- Fasten ceiling bracket to the upright with the two clamp halves, bolt and nut (see Step 5 inset).

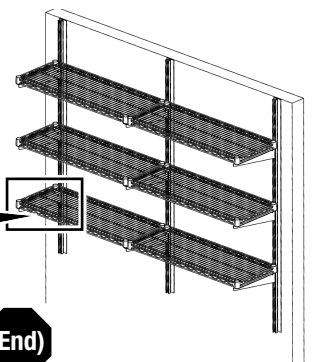
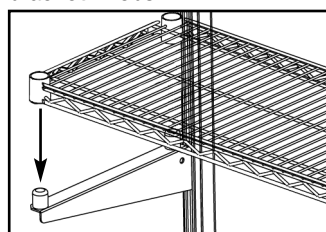
\* Ceiling Brackets required if there is no wall backing or supports.

#### Step 7 - Repeat Steps 5 and 6 to mount shelf brackets and ceiling bracket onto remaining upright(s).

- Use double-knob brackets for intermediate uprights, if any.
- Use a laser level to mount adjacent brackets at the same height. This will ensure level shelving.

#### Step 8 - Mount shelving to brackets.

Lower corner collars of shelf onto bracket knobs.



(End)

# Cantilevered Shelving

## Mounting to Stainless Steel Sheet Metal

### INSTALLATION INSTRUCTIONS

(For mounting to Galvanized or Aluminum Sheet Metal, see front page)

#### CAUTION

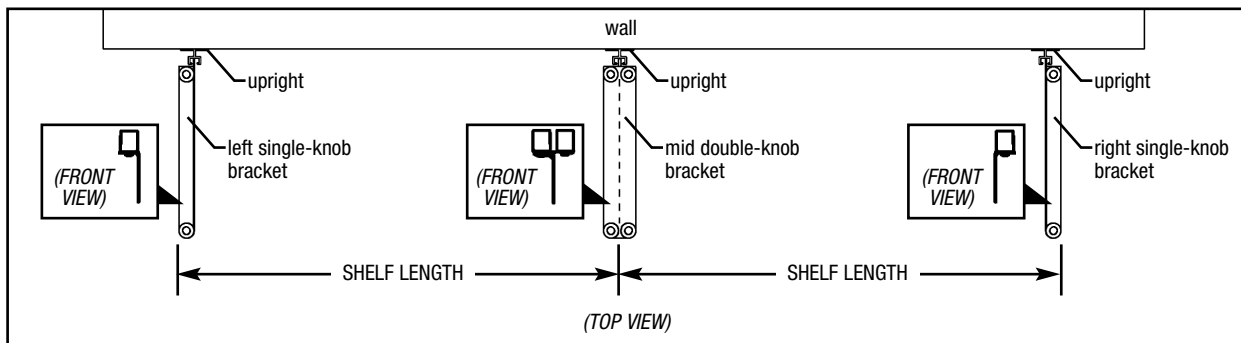
INSPECT CONTENTS IMMEDIATELY AND FILE CLAIM WITH DELIVERING CARRIER FOR ANY DAMAGE. **SAVE YOUR BOX AND ALL PACKING MATERIALS.** YOU ARE RESPONSIBLE FOR DAMAGE TO YOUR UNIT IF RETURNED IMPROPERLY PACKED.

#### Tools required for installation:

- laser level
- awl (ice pick, sharp center point, or finely tapered nail set)
- electric drill with 11/64" drill bit
- standard Phillips screwdriver (or electric screwdriver)

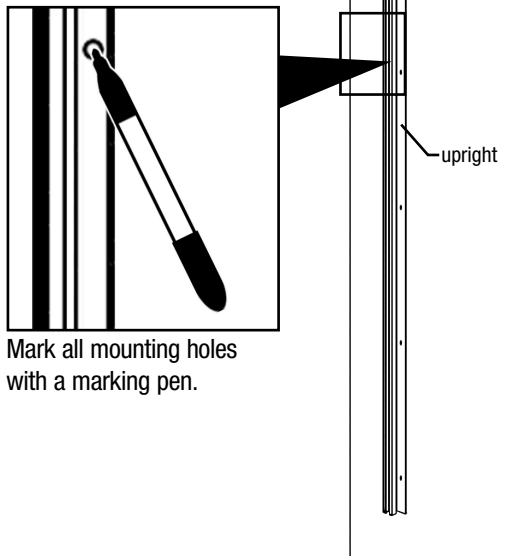
#### Wall-Mounting Hardware furnished:

- #10 x 1/2" #410 Series stainless steel sheet metal screws



#### Step 1 - Mark holes for 1st upright.

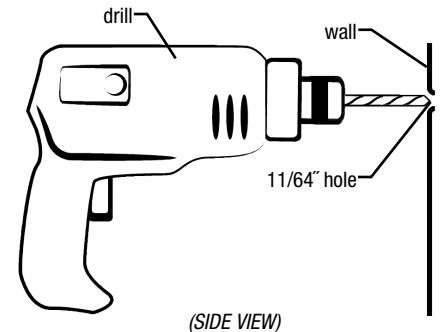
Place upright vertically and plumb against the wall, pushing it up until it touches the ceiling.



Mark all mounting holes with a marking pen.

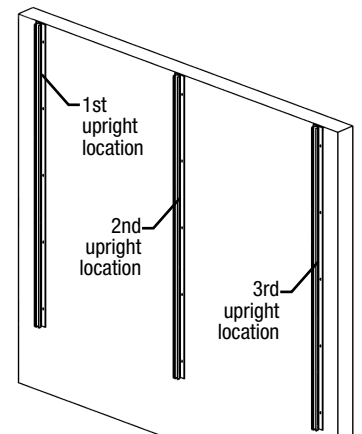
#### Step 2 - Drill holes.

- Remove upright.
- With awl, center-punch each mark so that the drill bit does not "walk".
- Drill a 11/64" hole at each center-punched mark.



#### Step 3 - Refer to the illustration above to determine location(s) of remaining upright(s), and repeat Steps 1 and 2.

*Note: It might be helpful to temporarily mount bracket onto upright to determine location(s) of remaining upright(s). See illustration above to determine appropriate bracket.*



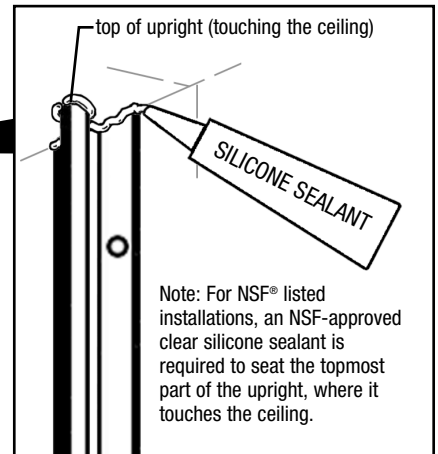
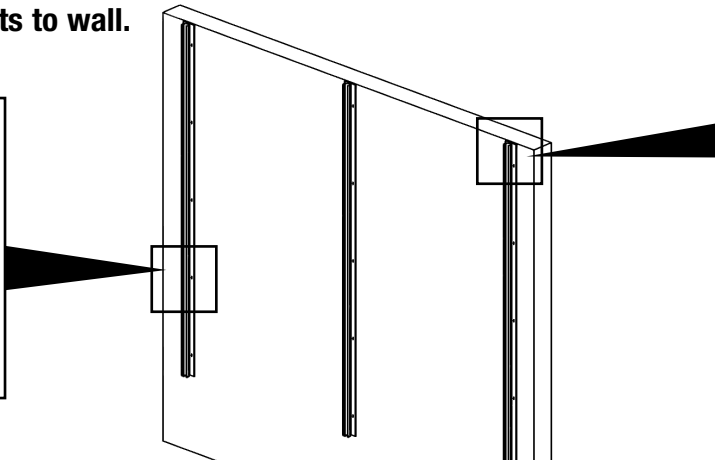
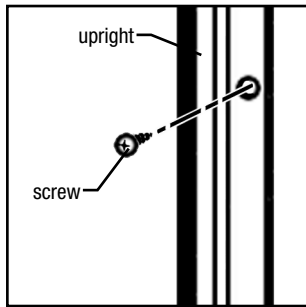
(continued on next page)

# Cantilevered Shelving

## Mounting to Stainless Steel Sheet Metal

### INSTALLATION INSTRUCTIONS

#### Step 4 - Attach uprights to wall. DO NOT OVER-TIGHTEN.

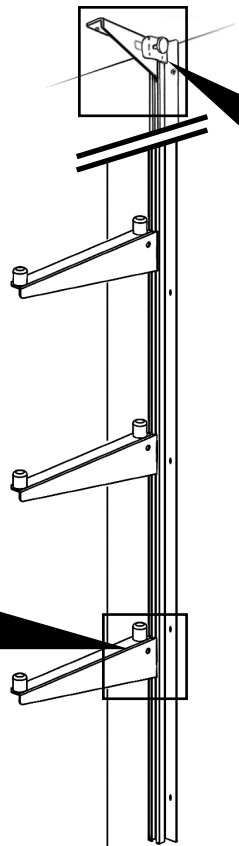
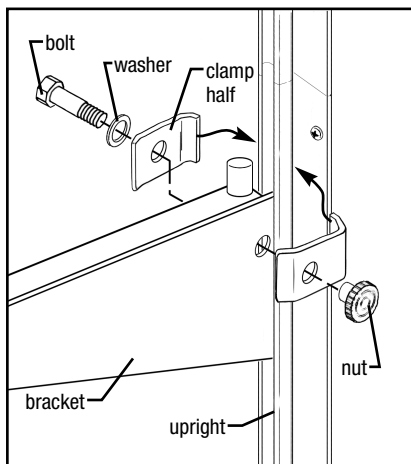


#### Before permanently installing shelf brackets, please note:

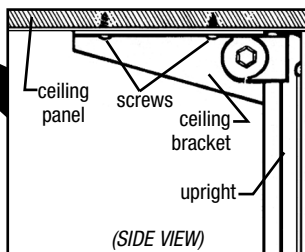
- Single-knob shelf brackets are flanged left or right, and are mounted onto uprights located at each end of a shelving run. To maximize space, mount these brackets so that the flange points away from shelving run (see illustration on page 3).
- Double-knob shelf brackets are mounted onto intermediate uprights, if any.
- On uprights adjacent to each other, make sure to mount brackets at the same heights. This will ensure level shelving.

#### Step 5 - Mount shelf brackets at desired heights to 1st upright.

- Start with end of shelving run (note appropriate flange of bracket).
- Fasten shelf bracket to upright with the two clamp halves, bolt and nut (as shown).
- Repeat for each shelf bracket.



#### Step 6 - Mount ceiling bracket\* to 1st upright.



- Use the same procedure as in Step 2.
- Fasten the four sheet metal screws through the ceiling bracket and into the ceiling panel (as shown).
- Fasten ceiling bracket to the upright with the two clamp halves, bolt and nut (see Step 5 inset).

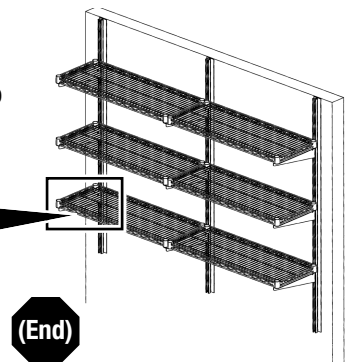
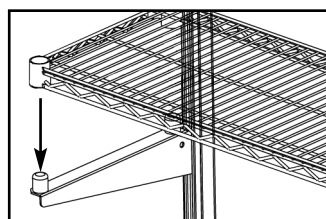
\* Ceiling Brackets required if there is no wall backing or supports.

#### Step 7 - Repeat Steps 5 and 6 to mount shelf brackets and ceiling bracket onto remaining upright(s).

- Use double-knob brackets for intermediate uprights, if any.
- Use a laser level to mount adjacent brackets at the same height. This will ensure level shelving.

#### Step 8 - Mount shelving to brackets.

Lower corner collars of shelf onto bracket knobs.



(End)