

# Hand Sink for Physically Challenged

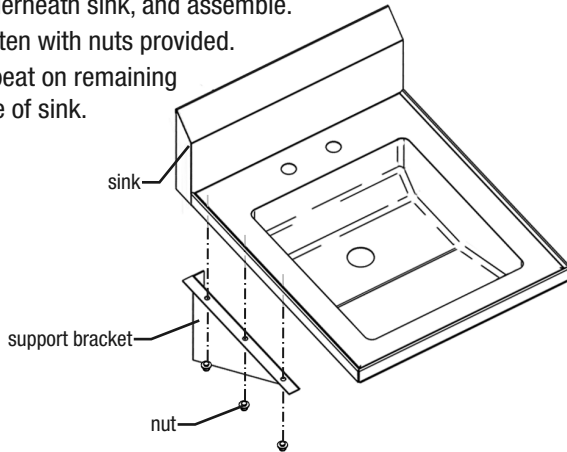
## ASSEMBLY INSTRUCTIONS

### CAUTION

INSPECT CONTENTS IMMEDIATELY AND FILE CLAIM WITH DELIVERING CARRIER FOR ANY DAMAGE. **SAVE YOUR BOX AND ALL PACKING MATERIALS.** YOU ARE RESPONSIBLE FOR DAMAGE TO YOUR UNIT IF RETURNED IMPROPERLY PACKED.

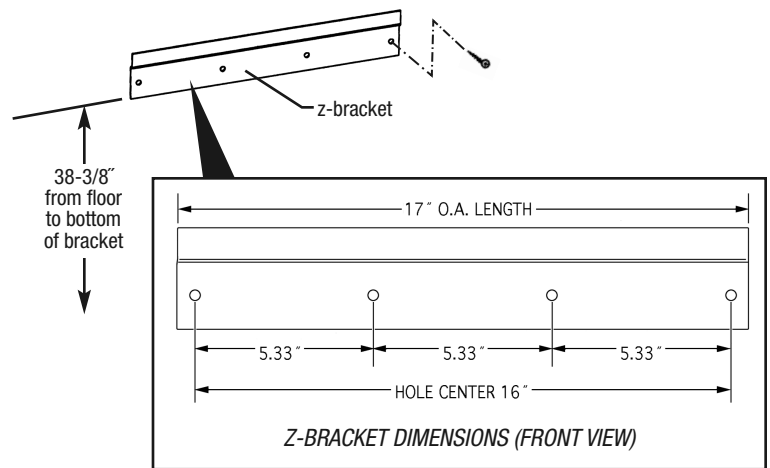
### Step 1 - Assemble support brackets to sink.

- Align holes on top of bracket with threaded studs underneath sink, and assemble.
- Fasten with nuts provided.
- Repeat on remaining side of sink.

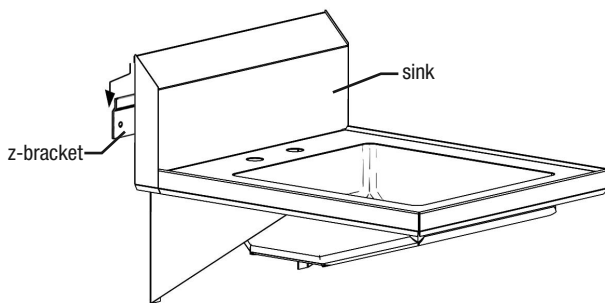


### Step 2 - Mount z-bracket to wall.

Use a level for straightness.  
(Note: Mounting hardware not included.)

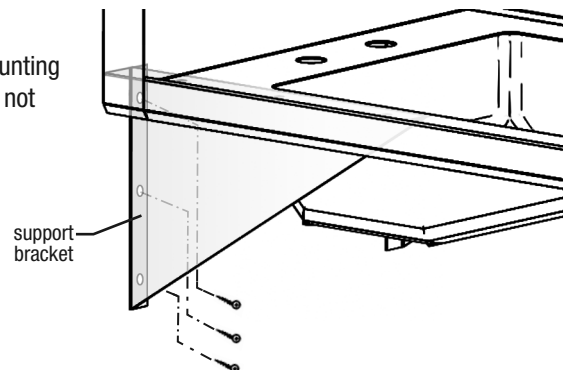


### Step 3 - Hang sink off z-bracket.



### Step 4 - Secure support brackets to wall.

(Note: Mounting hardware not included.)



(End)