

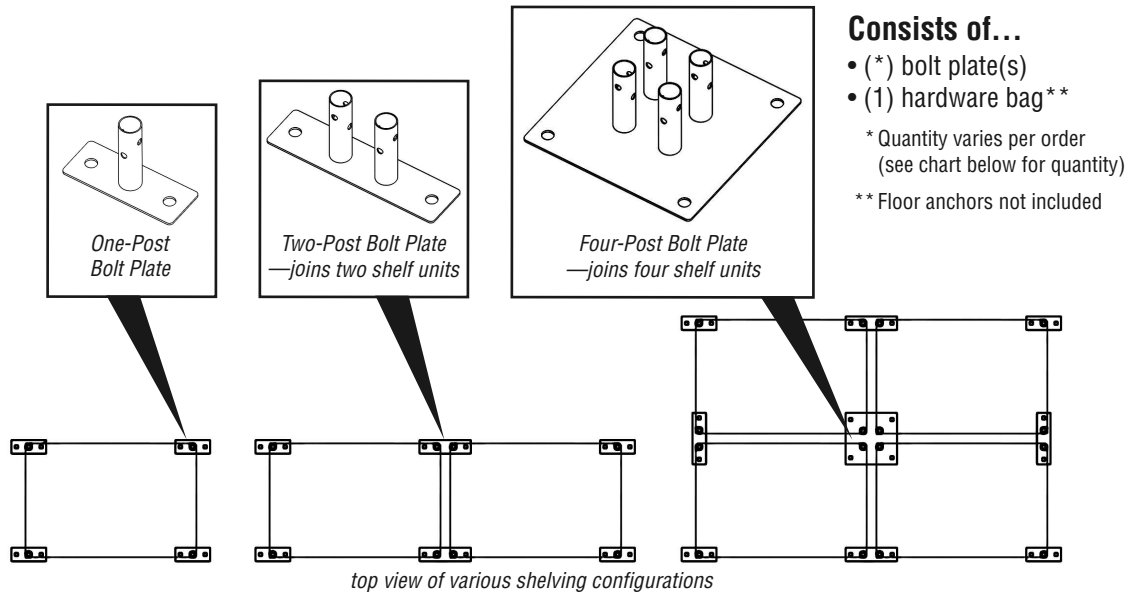
Seismic Footplate Kits

INSTALLATION INSTRUCTIONS

CAUTION

INSPECT CONTENTS IMMEDIATELY AND FILE CLAIM WITH DELIVERING CARRIER FOR ANY DAMAGE.
SAVE YOUR BOX AND ALL PACKING MATERIALS.
YOU ARE RESPONSIBLE FOR DAMAGE TO YOUR UNIT IF RETURNED IMPROPERLY PACKED.

Thank you for your purchase. Before installation, read this instruction manual carefully to ensure correct use.
After reading, be sure to store this instruction in a safe place, should it be needed for future reference.



Consists of...

- (*) bolt plate(s)
 - (1) hardware bag**
- * Quantity varies per order (see chart below for quantity)
** Floor anchors not included

Kits for Eagle Shelving

description	qty of bolt plates per kit	width x length x height		for Eagle standard shelving posts (1" diameter)
		in.	mm	
one-post bolt plate	4	2 7/8" x 7" x 1/4"	73 x 178 x 6	kit model # <i>SFP10-1</i>
two-post bolt plate	2	8" x 11" x 1/4"	203 x 279 x 6	<i>SFP10-2</i>
four-post bolt plate	1	11" x 11" x 1/4"	279 x 279 x 6	<i>SFP10-4</i>

**** IMPORTANT ****
BE CERTAIN TO FOLLOW ANY
SITE-SPECIFIC OR LOCAL
CODE REQUIREMENTS.

Bolt Plate Assembly

BEFORE INSTALLATION, PLEASE NOTE:

- The bolt plate anchor assembly is designed to allow in-field leveling of the shelving and secure anchorage of the bolt plates. This is accomplished with standard shelves and posts with leveling bolts.
- **MAXIMUM WEIGHT OF CONTENT IS 20 PSF PER SHELF.**

- 1) Assemble your shelving unit as described in the instruction sheet packed with the unit.
- 2) Install the posts into the bolt plates. Do not fasten. Place the assembled shelving with the bolt plates at the intended installation location.
- 3) Utilizing the actual bolt plate, mark the location of the floor anchors. Remove the assembled shelving units. Drill appropriate floor holes, and install the bolt plates.

(continued on back page)

EG9934 Revised 05/17



• 100 Industrial Boulevard, Clayton, Delaware 19938-8903 U.S.A. • www.eaglegrp.com
• Phone: 302/653-3000 • (Foodservice) 800/441-8440 • (MHC/Retail) 800/637-5100
• Fax: 302/653-2065

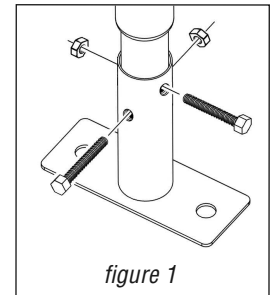
Seismic Footplate Kits

INSTALLATION INSTRUCTIONS

Bolt Plate Assembly

(...continued from front page)

- 4) Move the shelving unit adjacent to the bolt plates and level the unit. Lift the shelving unit and place the posts into the pipe sleeves of the floor mounted bolt plate assembly.
- 5) Once the shelving unit is in place and level, predrill 3/16" pilot holes at each bolt plate pipe sleeve location.
- 6) Complete drilling through the pilot holes, using a 13/32" drill bit.
- 7) Referring to *figure 1* (at right), install 3/8" diameter bolts and nuts through each bolt plate pipe sleeve and post.
- 8) Finally, affix the proper label designating the unit as "20 PSF PER SHELF".



FOR ANCHORING SPECIFICATIONS, GO TO WWW.OSHPD.CA.GOV AND REFER TO "OPM-0349-13".

NOTE: The lowest shelf should be as close as possible to the bolt plate, no higher than 9" from the floor. Eagle Group does not provide concrete floor anchor bolts. The correct floor anchors must be used for the specific installation conditions and meet all applicable codes.

Seismic Shelving Post Top Connectors — For Two-Post and Four-Post Plates only

IMPORTANT NOTES:

- To accommodate connectors, top shelf on each unit must be lowered by 3"—three grooves should be visible above shelf collars—BEFORE installing connectors.
- Four-Post Top Connectors feature lower-level and upper-level connectors. To install Four-Post Top Connectors, remove top shelf of each shelf unit. Snap split sleeves onto 6th groove from top of each adjacent post. Attach lower-level connectors (see CONNECTOR ASSEMBLY below). Return top shelf of each shelf unit, then attach upper-level connectors perpendicular to lower-level connectors (see *figure 2* below).

CONNECTOR ASSEMBLY

- On each shelf unit, snap split sleeves onto groove second from top.
- Affix lower arm to split sleeves on one unit, and upper arm on other unit.
- Line up hole of each arm and run hardware as shown.

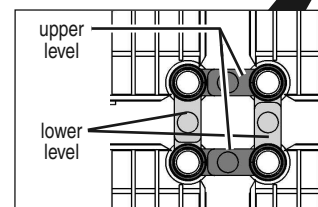
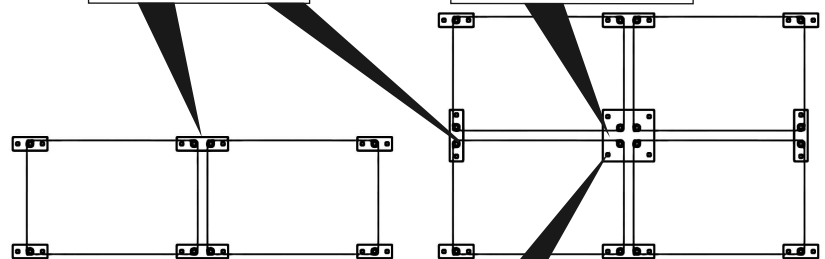
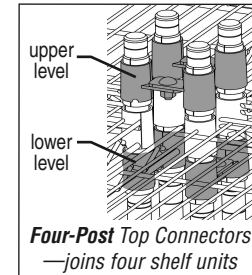
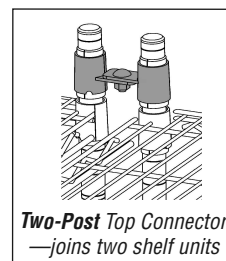
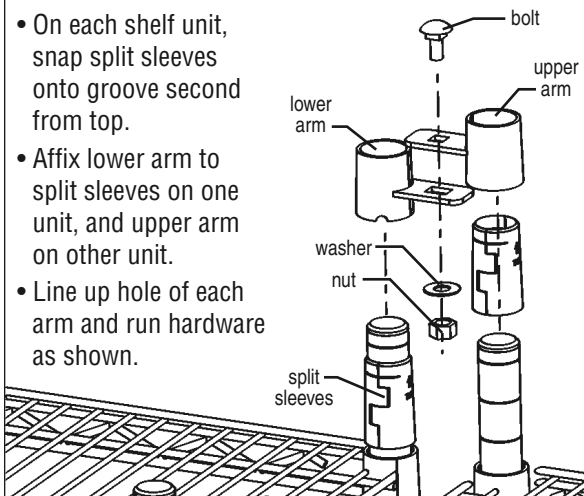


figure 2

(End)