

Buffet Shelf for Hot Food Table

ASSEMBLY INSTRUCTIONS

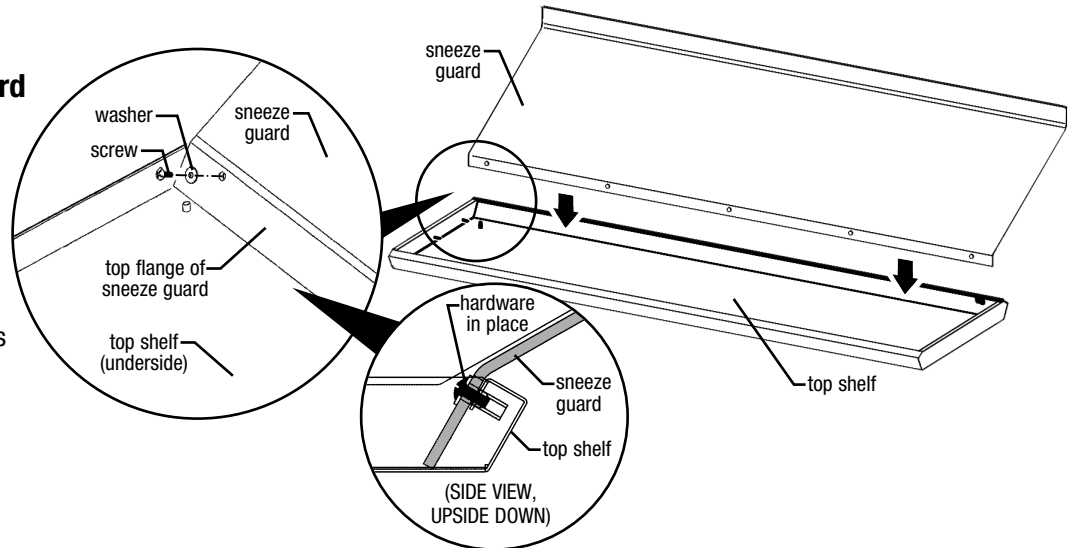
CAUTION

INSPECT CONTENTS IMMEDIATELY AND FILE CLAIM WITH DELIVERING CARRIER FOR ANY DAMAGE. **SAVE YOUR BOX AND ALL PACKING MATERIALS.** YOU ARE RESPONSIBLE FOR DAMAGE TO YOUR UNIT IF RETURNED IMPROPERLY PACKED.

Step 1: Assemble front sneeze guard and top shelf.

(To assemble, turn upside-down.)

- Position top flange of sneeze guard **INSIDE** top shelf.
- Align holes, and secure with #10 washers and #10-32x1/2" screws as shown.

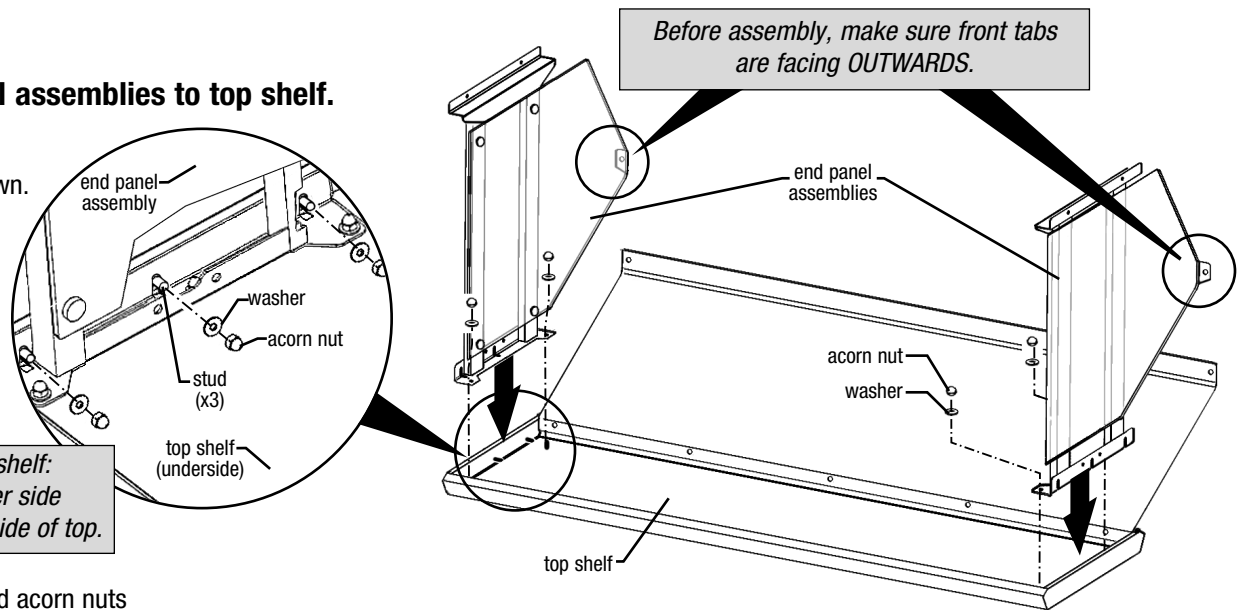


Step 2: Attach end panel assemblies to top shelf.

- Position end panel assemblies as shown.
- On one end, align all studding underneath top shelf with holes on top of end assembly.

On each end of top shelf:
• 3 studs along inner side
• 2 studs on underside of top.

- Fasten washers and acorn nuts onto studs as shown.
- Repeat on remaining end.



(continued on back page)

EG9891 Revised 02/24

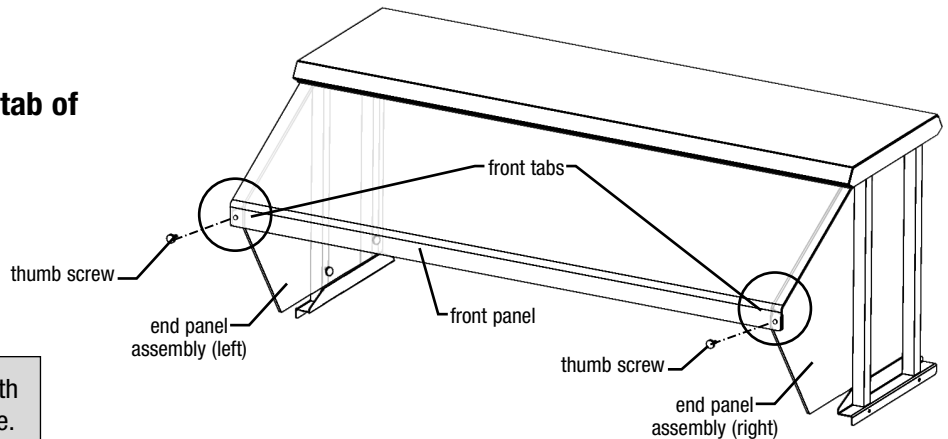
Buffet Shelf for Hot Food Table

ASSEMBLY INSTRUCTIONS

Step 3:

Secure front sneeze guard to front tab of each end panel assembly.

- Secure with thumb screws.
- Tighten all hardware.



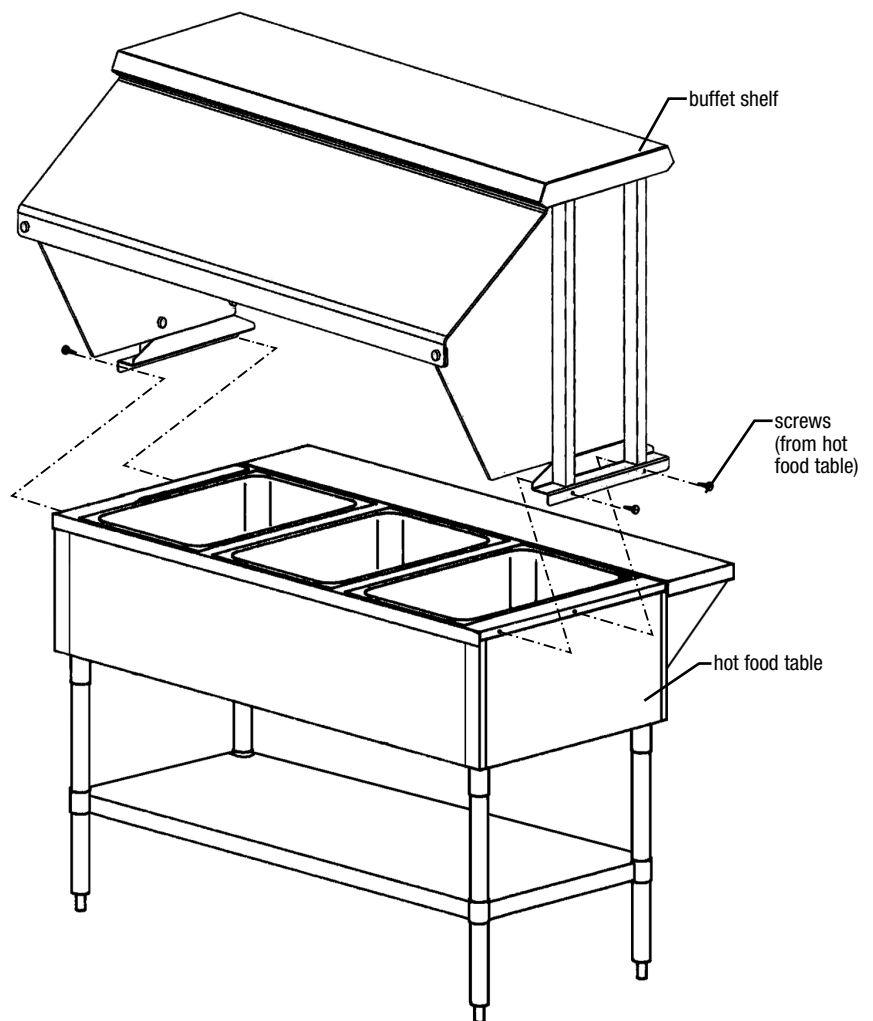
For buffet shelves with sneeze guard on both sides, repeat **Steps 1 - 3** on remaining side.

Step 4:

Attach buffet shelf to Eagle Group hot food table.

Mount onto hot food table with sneeze guard facing CUSTOMER'S SIDE of table.

- Remove the two frontmost screws on each end of hot food table.
- Place buffet shelf onto hot food table.
- Line up holes on buffet shelf with holes on table.
- Replace screws into original holes.



(End)

To clean all clear panels:

- Wash with mild soap or detergent and with plenty of lukewarm water. Dry with soft cloth or chamois.
- Do NOT use window-cleaning sprays, scouring compounds, acetone, gasoline, benzene, carbon tetrachloride or lacquer thinner.



- 100 Industrial Boulevard, Clayton, Delaware 19938-8903 U.S.A.
- Phone: 302/653-3000 • 800/441-8440 • Fax: 302/653-2065
- www.eaglegrp.com • www.eaglehmc.com