

# Wine Glass Rack

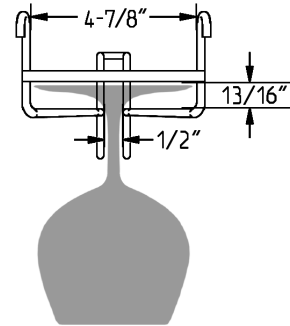
## INSTALLATION INSTRUCTIONS

### CAUTION

INSPECT CONTENTS IMMEDIATELY AND FILE CLAIM WITH DELIVERING CARRIER FOR ANY DAMAGE. **SAVE YOUR BOX AND ALL PACKING MATERIALS.** YOU ARE RESPONSIBLE FOR DAMAGE TO YOUR UNIT IF RETURNED IMPROPERLY PACKED.

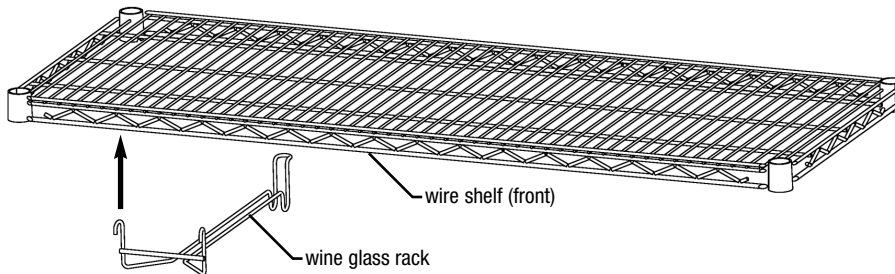
#### Please note:

- Make sure the Wine Glass Rack can safely accommodate the dimensions of your wine glasses (see illustration at right for dimensions).
- 18"-long Wine Glass Racks fit only onto wire shelves that are 18" front-to-back.
- 24"-long Wine Glass Racks fit only onto wire shelves that are 24" front-to-back.
- No tools are required for installing Wine Glass Racks.



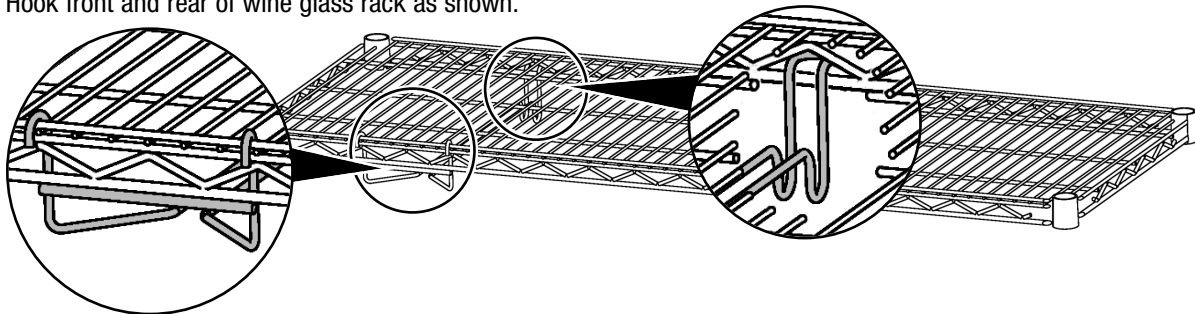
### Step 1 - Determine desired location of wine glass rack.

Make sure the front of the rack is with the front of the wire shelf.



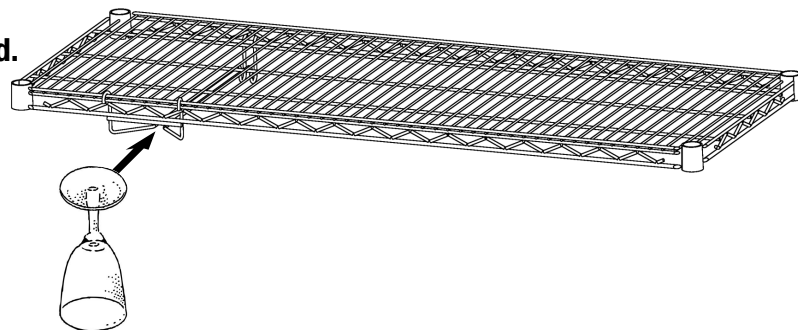
### Step 2 - Attach wine glass rack to underside of wire shelf.

Hook front and rear of wine glass rack as shown.



### Step 3 - Load rack as desired.

(Glasses not included.)



(End)

EG9890 Revised 02/24