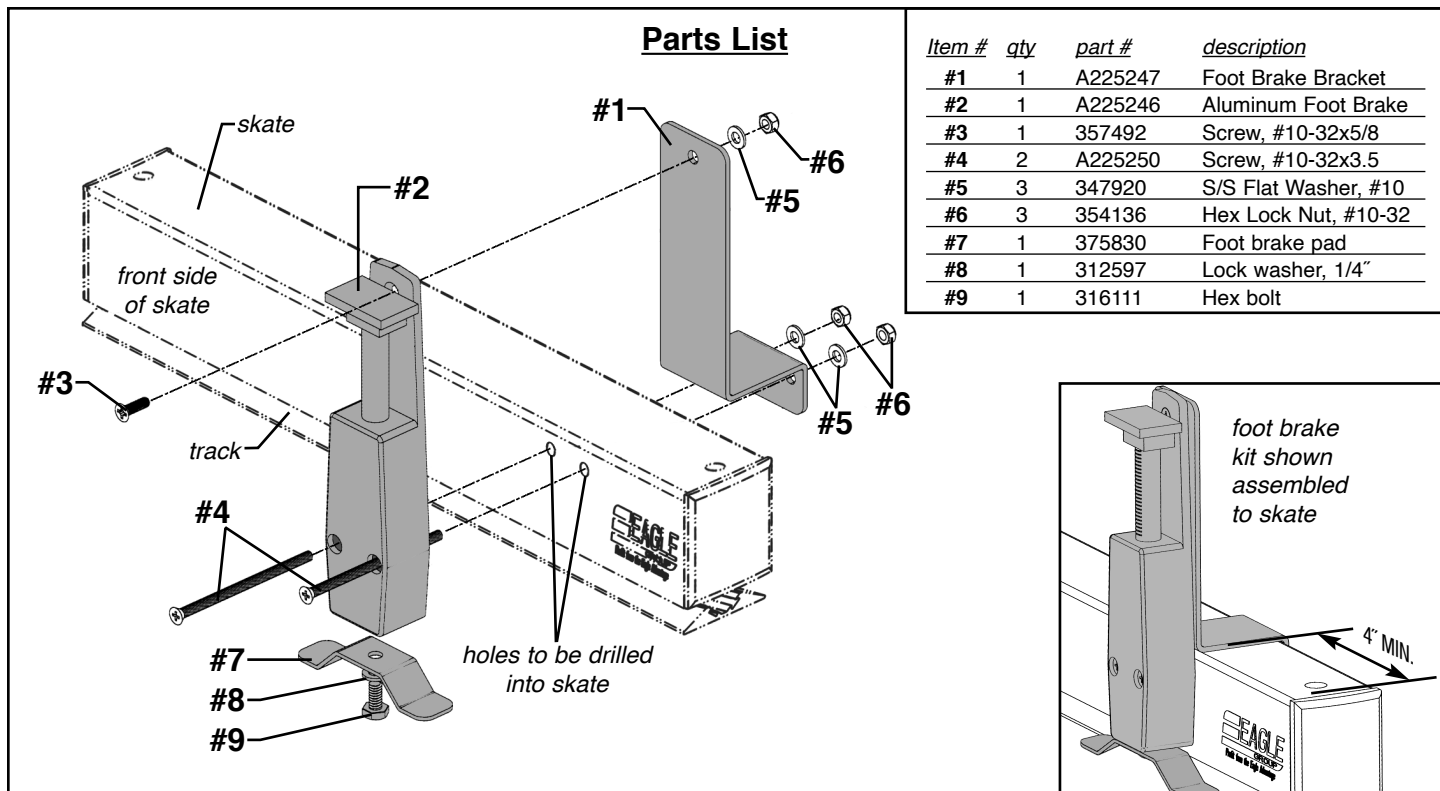


# Foot Brake Kit for Floor-Trak®

## ASSEMBLY INSTRUCTIONS

### CAUTION

INSPECT CONTENTS IMMEDIATELY AND FILE CLAIM WITH DELIVERING CARRIER FOR ANY DAMAGE. **SAVE YOUR BOX AND ALL PACKING MATERIALS.** YOU ARE RESPONSIBLE FOR DAMAGE TO YOUR UNIT IF RETURNED IMPROPERLY PACKED.



Referring to illustration in Parts List (above), assemble brake kit as follows:

#### Step 1 - Drill holes into frontmost skate.

- Determine desired location of brake kit.  
*NOTE: Recommended 4" minimum from end of skate.*
- Using holes of bracket (*Item #1*) as a guide, drill holes through both sides of skate, using 1/4" drill bit.  
Set aside bracket.

#### Step 2 - Assemble foot brake and bracket to skate.

- Attach pad, washer, and bolt (*Items #7, 8, 9*) to foot brake as shown in illustration above.
- On front side of skate, position holes of foot brake (*Item #2*) with holes drilled into skate.
- On rear side of skate, position holes of bracket (*Item #1*) with holes drilled into skate.
- Install 3.5"-long screws (*Item #4*) through holes, and fasten with washers (*Item #5*) and lock nuts (*Item #6*).
- Run short screw (*Item #3*) through remaining topmost hole, joining foot brake to bracket, and fasten with washer (*Item #5*) and lock nut (*Item #6*).

(End)

EG9863 Revised 12/23



• 100 Industrial Boulevard, Clayton, Delaware 19938-8903 U.S.A.  
• Phone: 302/653-3000 • 800/441-8440 • Fax: 302/653-2065  
• www.eaglegrp.com • www.eaglehmc.com

Eagle Foodservice Equipment, Eagle MHC, and SpecFAB® are divisions of Eagle Group. ©2023 by the Eagle Group