

Carry-Out Worktable

ASSEMBLY INSTRUCTIONS

CAUTION

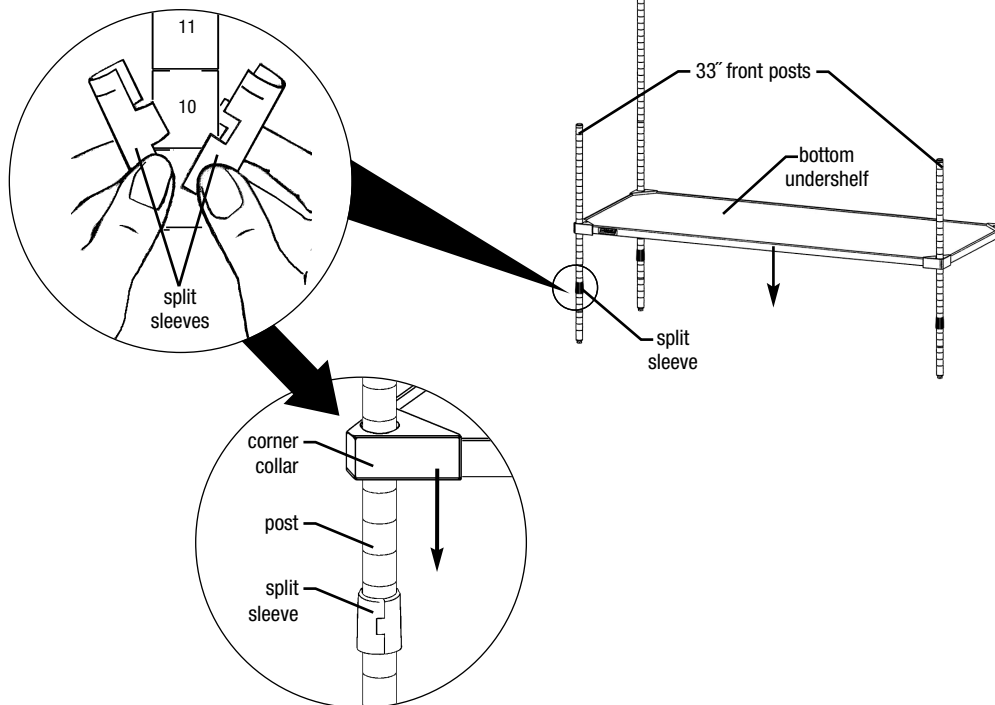
INSPECT CONTENTS IMMEDIATELY AND FILE CLAIM WITH DELIVERING CARRIER FOR ANY DAMAGE. **SAVE YOUR BOX AND ALL PACKING MATERIALS.** YOU ARE RESPONSIBLE FOR DAMAGE TO YOUR UNIT IF RETURNED IMPROPERLY PACKED.



Step 1 - Mount bottom undershelf.

Attach split sleeves onto #10 groove on 33" front posts and on 74" rear posts.

- The wider part of the taper goes toward the bottom.
- Make sure rib on split sleeve is seated into groove on the post.



(continued on back page)

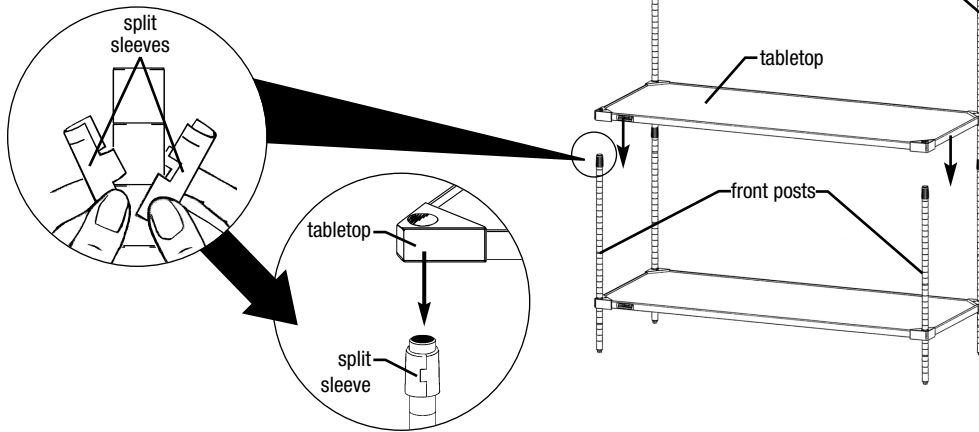
EG9862 Revised 12/23

Carry-Out Worktable

ASSEMBLY INSTRUCTIONS

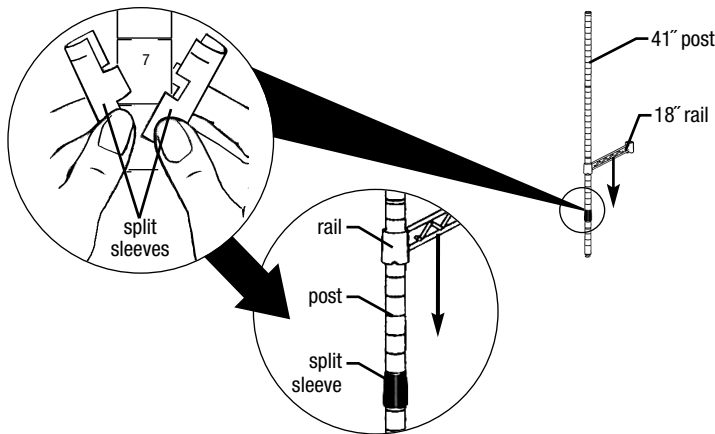
Step 2 - Mount tabletop.

Snap split sleeves onto topmost groove on front posts, and onto #33 groove on rear posts.



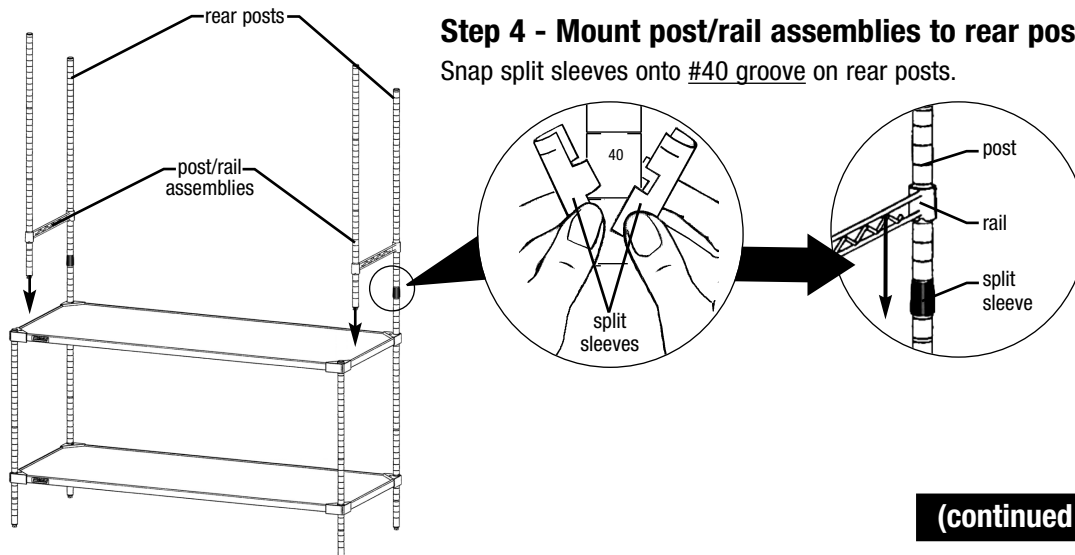
Step 3 - Assemble 18" front-to-back rails and 41" posts.

Snap split sleeves onto #7 groove on 41" posts.



Step 4 - Mount post/rail assemblies to rear posts.

Snap split sleeves onto #40 groove on rear posts.



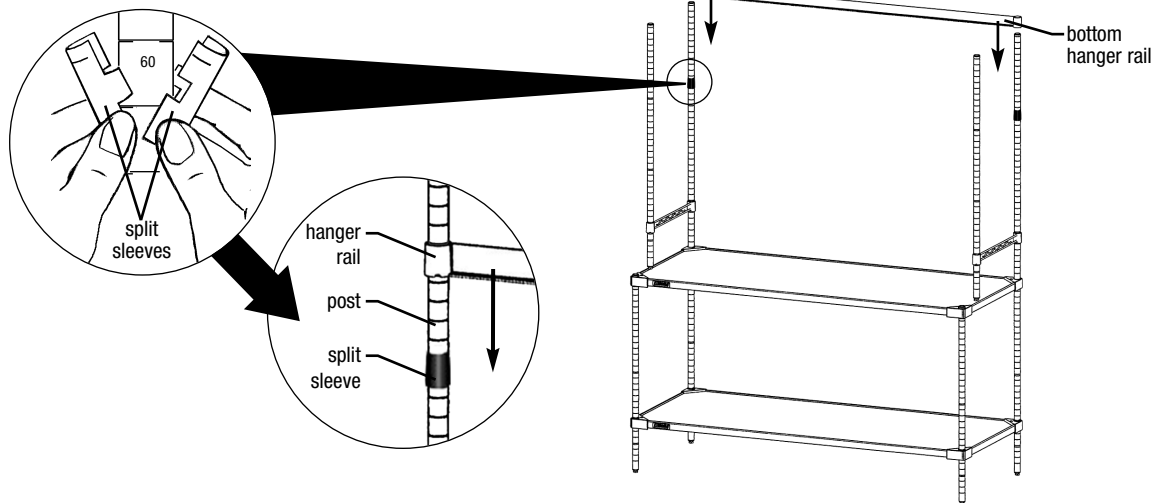
(continued on page 3)

Carry-Out Worktable

ASSEMBLY INSTRUCTIONS

Step 5 - Mount bottom hanger rail.

Snap split sleeves onto #60 groove on rear posts.

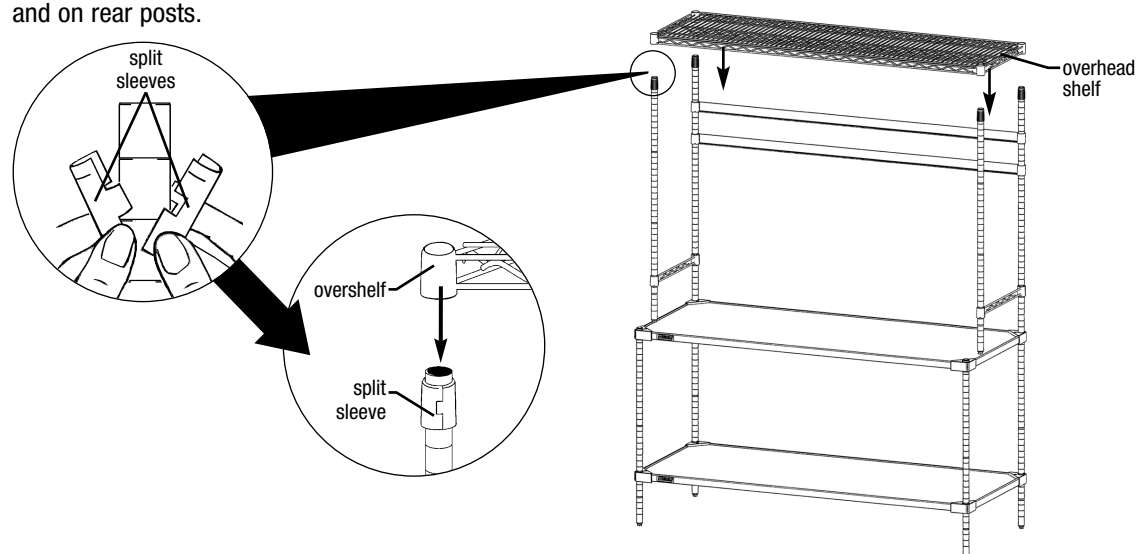


Step 6 - Mount top hanger rail.

Snap split sleeves onto #66 groove on rear posts.

Step 7 - Mount overhead shelf.

Snap split sleeves onto topmost groove on 41" posts and on rear posts.



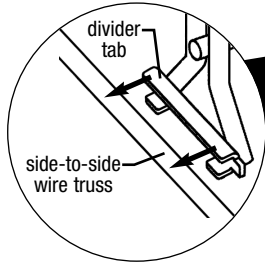
(continued on back page)

Carry-Out Worktable

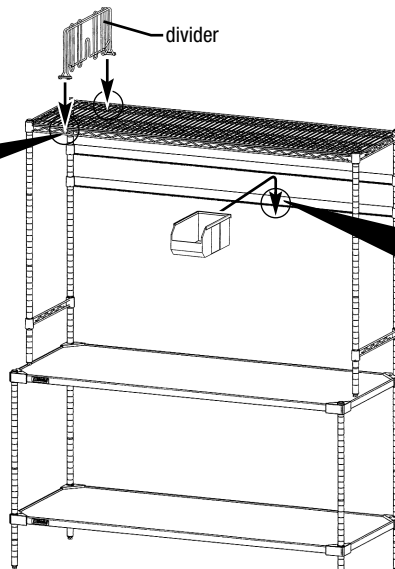
ASSEMBLY INSTRUCTIONS

Step 8 - Attach dividers onto wire overshelf.

- Place divider onto shelf at desired location.
- Snap the front and rear tabs onto side-to-side wire trusses.

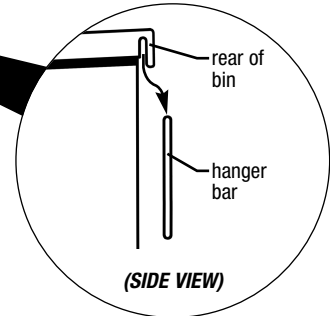


Repeat Step 8 to attach remaining dividers.

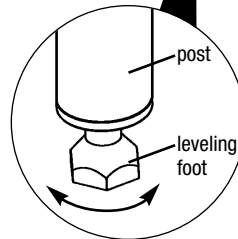


Step 9 - Attach bins onto hanger bars.

Hook rear of bin onto hanger bar at desired location.

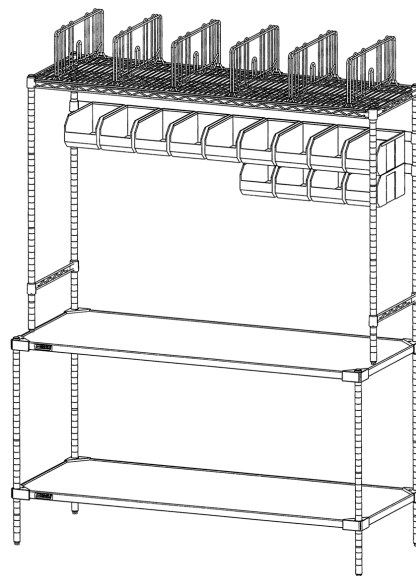


Repeat Step 9 to attach remaining bins.



Step 10 - Level unit.

The leveling feet allow approximately 1" adjustment.



Assembly is complete.

(End)