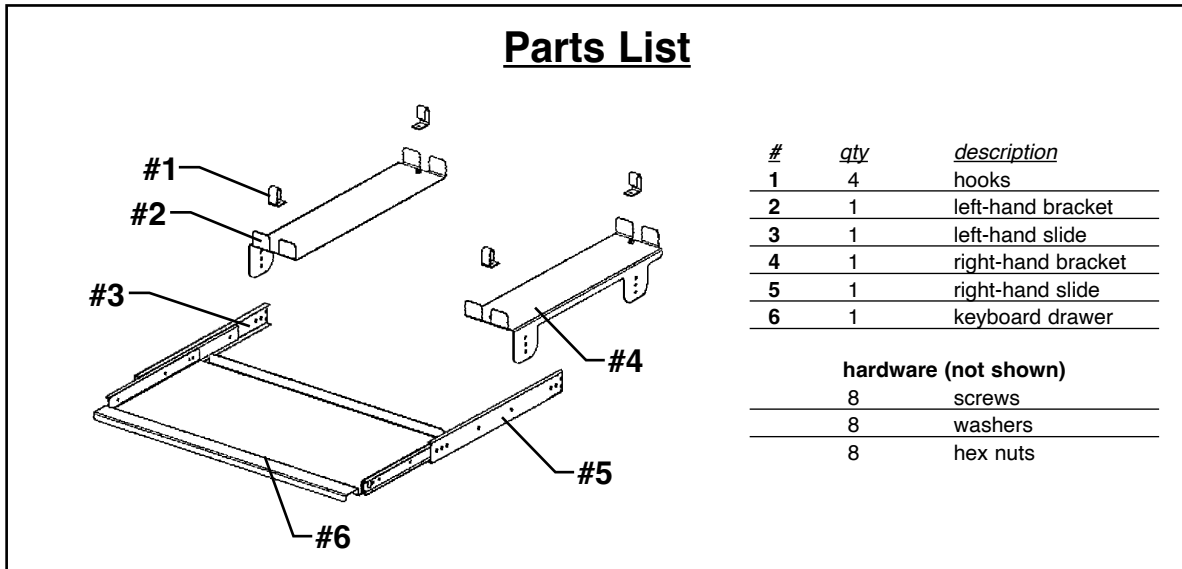


Keyboard Drawer for 24" wire shelves

ASSEMBLY INSTRUCTIONS

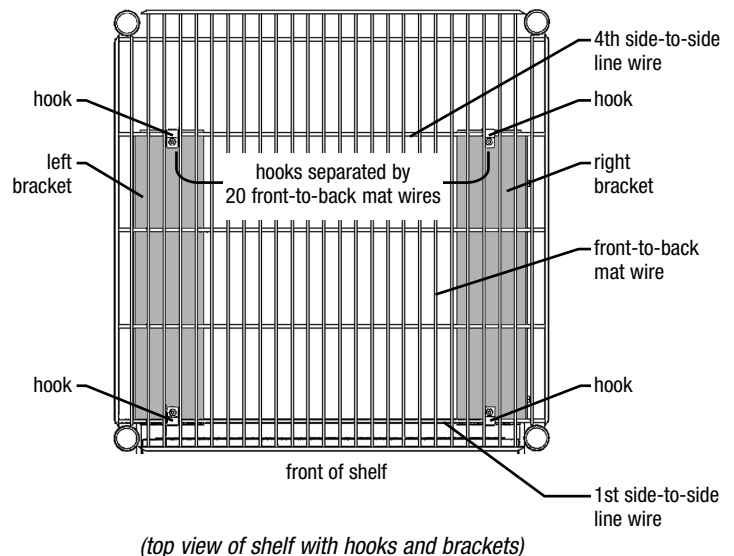
CAUTION

INSPECT CONTENTS IMMEDIATELY AND FILE CLAIM WITH DELIVERING CARRIER FOR ANY DAMAGE. **SAVE YOUR BOX AND ALL PACKING MATERIALS.** YOU ARE RESPONSIBLE FOR DAMAGE TO YOUR UNIT IF RETURNED IMPROPERLY PACKED.



Step 1 - Determine location of brackets.

- Using illustration at right as a guide, please note that the hooks will be separated by 20 front-to-back mat wires.
- Please note the locations of the hooks in relation to the locations of the brackets.
- Place hooks onto 1st and 4th side-to-side line wires of wire shelf, as shown.



(continued on back page)

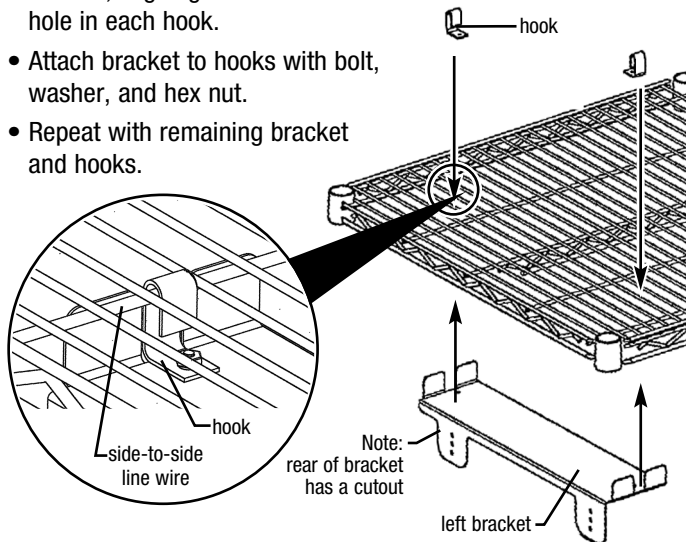
EG9838 Revised 04/24

Keyboard Drawer for 24" wire shelves

ASSEMBLY INSTRUCTIONS

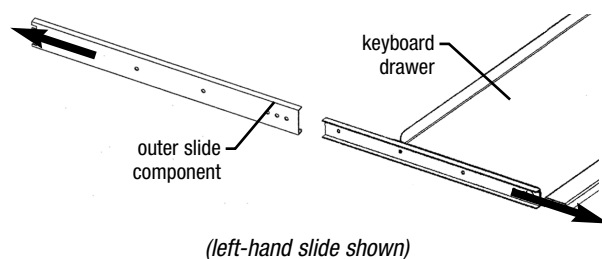
Step 2 - Attach brackets to wire shelf.

- Position bracket up to the bottom of shelf, aligning holes in bracket with hole in each hook.
- Attach bracket to hooks with bolt, washer, and hex nut.
- Repeat with remaining bracket and hooks.



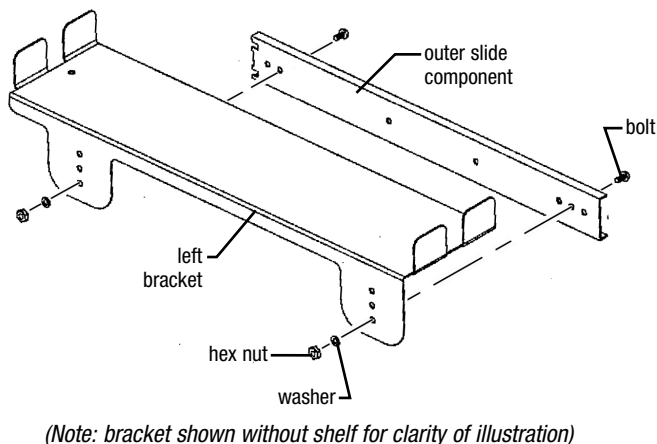
Step 3 - Detach outer component of each slide from keyboard drawer.

Extend each slide until outer slide components are detached from keyboard drawer.



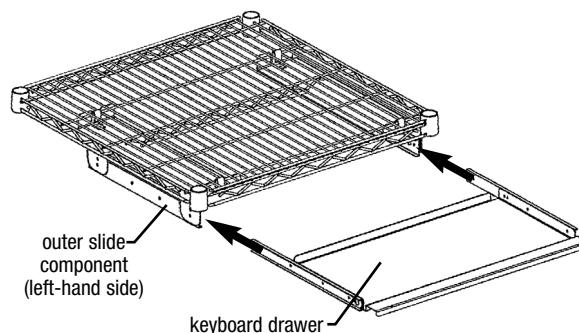
Step 4 - Attach outer slide components to brackets.

- Attach outer slide component to bracket with bolt, washer, and hex nut at the holes shown in illustration.
- Repeat with remaining outer slide component and bracket.



Step 5 - Assemble keyboard drawer to outer slide components.

Align each side of drawer with both outer slide components, and push.



(End) Assembly is complete.