

RediPak® Wire Shelving Kit

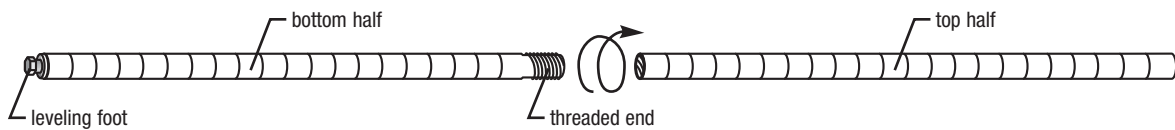
ASSEMBLY INSTRUCTIONS

CAUTION

INSPECT CONTENTS IMMEDIATELY AND FILE CLAIM WITH DELIVERING CARRIER FOR ANY DAMAGE. **SAVE YOUR BOX AND ALL PACKING MATERIALS.** YOU ARE RESPONSIBLE FOR DAMAGE TO YOUR UNIT IF RETURNED IMPROPERLY PACKED.

Before you begin assembling unit, posts must be assembled first.

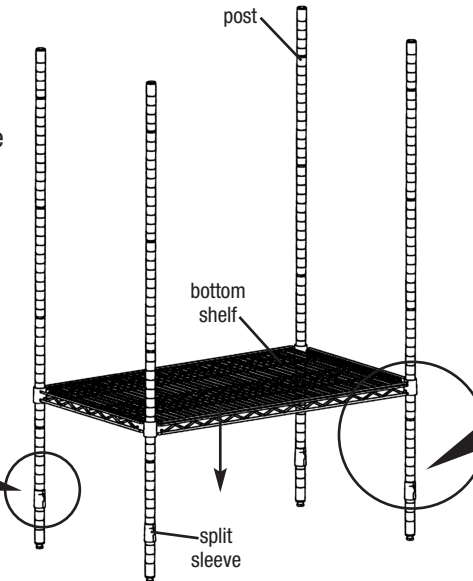
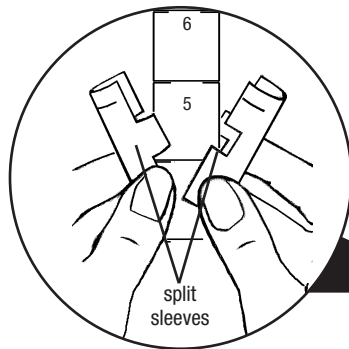
Bottom halves feature leveling foot and threaded tubing. Screw bottom half of each post into top half.



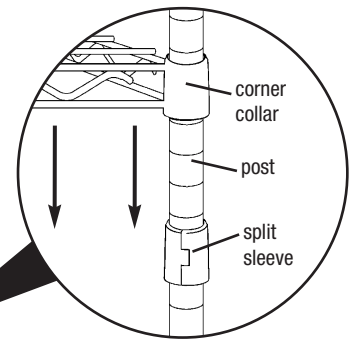
Step 1 - Attach split sleeves (for bottom shelf) to posts.

- The wider part of the taper goes toward the bottom.
- Make sure rib on split sleeve is seated into a groove on the post.

Note: The number covered by the split sleeve indicates approximate height of shelf.



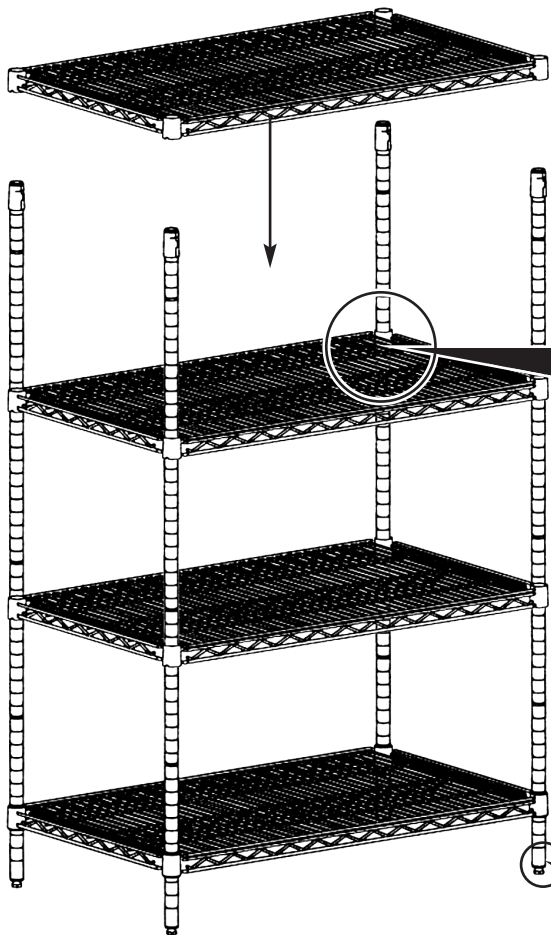
Step 2 - Mount bottom shelf.



(continued on back page)

RediPak® Wire Shelving Kit

ASSEMBLY INSTRUCTIONS

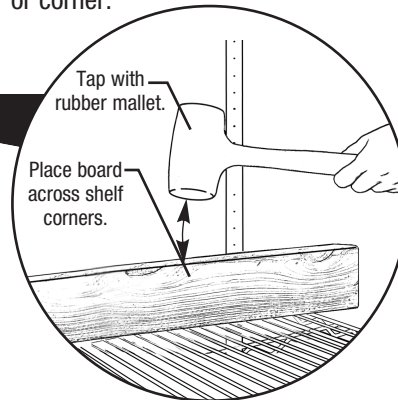


Step 3: Mount additional shelves.

Refer to Steps 1 & 2 (front page), working from bottom to top.

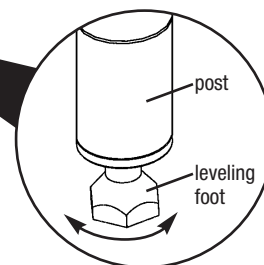
Step 4: Securely seat all shelves.

Note: Do NOT hammer directly on wire or corner.



Step 5: Level unit.

The leveling bolts allow approximately 1/2" adjustment.



(End)



WARNING – TIPPING HAZARD



- Use caution when moving heavily loaded carts. Heavy loads are hard to control.
- Do not step, stand or climb on shelving units.
- Place heavy objects on lowest shelf.

Failure to follow these guidelines can result in property damage or personal injury.