



The EAGLE Advantage for

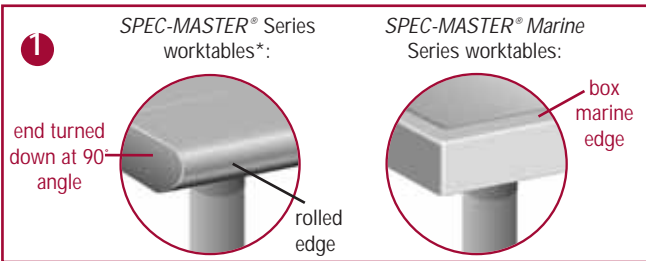
Tables



Compare other tables to EAGLE GROUP'S SPEC-MASTER® tables.

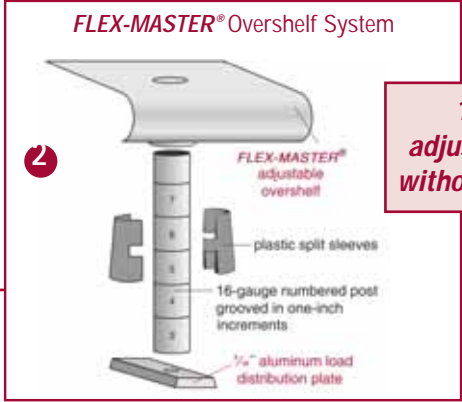


EAGLE GROUP'S SPEC-MASTER® Series tables

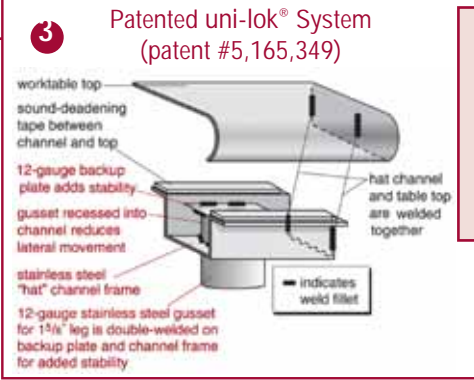
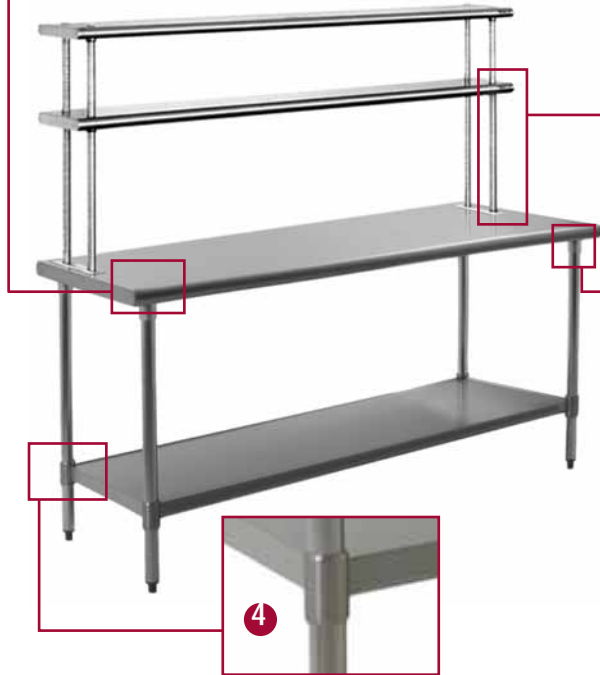


*This design is also on our Budget and Deluxe tables.

Information in **color** indicates *EAGLE advantages* — Quality, Value, Reliability.

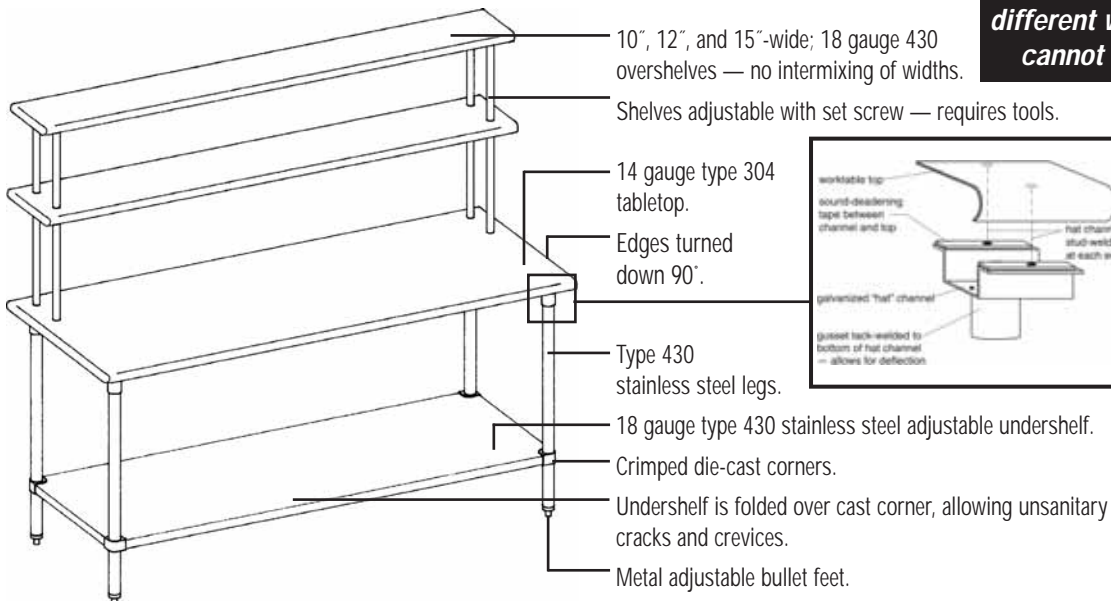


16 gauge, fully adjustable overshelves without the use of tools.

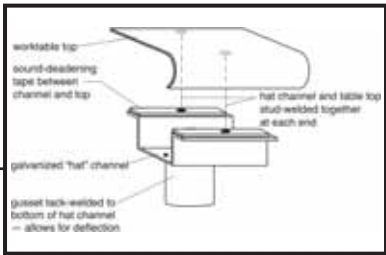


Gussets are recessed into channels to enhance stability. Other's table gussets are welded onto bottom of channels.

Premium Series from Advance-Tabco



On Advance-Tabco's, different width overshelves cannot be intermixed!



EAGLE GROUP's SPEC-MASTER® Series tables

1 Tabletops

- 14 gauge type 304 stainless steel.
- Front and rear edges are rolled for increased strength. Left and right edges are formed down 90°, providing a flat surface so tables can be placed flush end to end. This is standard in the design of our worktables, while others charge extra for these features.
- Two type 304 stainless steel hat channels run underneath tabletop for top support (three on tables 60" or longer).
- Sound-deadening insulation tape between hat channel and tabletop.
- Our SPEC-MASTER® Marine Series tables feature a box marine edge on the tabletop to retard spillage.

2 FLEX-MASTER® Overshelf System

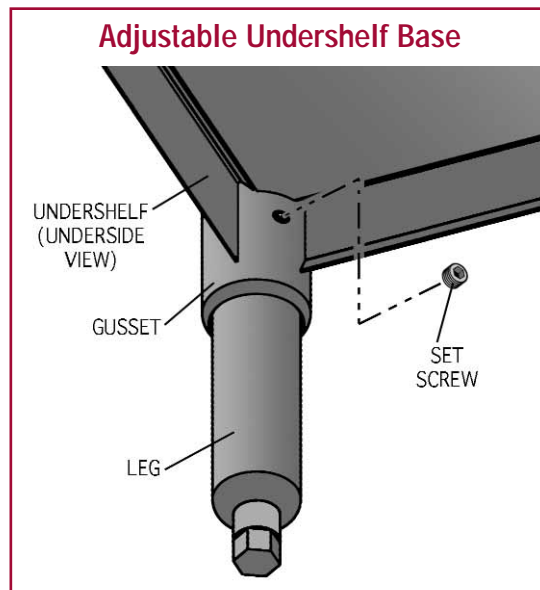
- 10" and 12" wide overshelves. 16 gauge type 304 stainless steel.
- Different shelf widths can be intermixed. Extra shelves and accessories can be added for increased storage.
- Shelves adjustable on 1" vertical increments – no tools are required.
- Posts are bolted onto weight distribution plate and secured into patented uni-lok® system.

3 uni-lok® System

- Type 304 stainless steel hat channel.
- Stainless steel gusset is recessed inside hat channel, welded to 12-gauge backup plate, and then welded to the bottommost part of the hat channel.
- uni-lok® is patented and unmatched in the industry.

4 Adjustable Undershef Base

- Includes heavy gauge type 304 stainless steel undershef with stainless steel gusset welded to each corner. Gussets lock onto 1 5/8"-diameter heavy gauge legs, via set screw on each gusset (illustration at upper right), providing a highly stable and sanitary connection.
- Gussets feature a marine taper on top and bottom.
- Undershef features a marine edge on all four sides.
- Featured on SB, SEB, SE and SEM Tables.

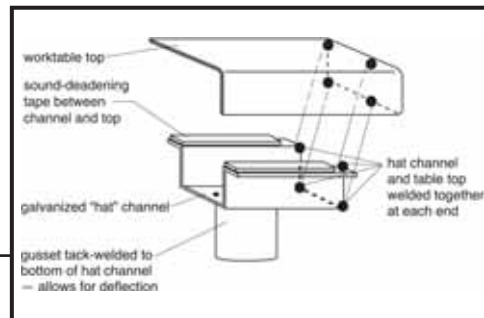
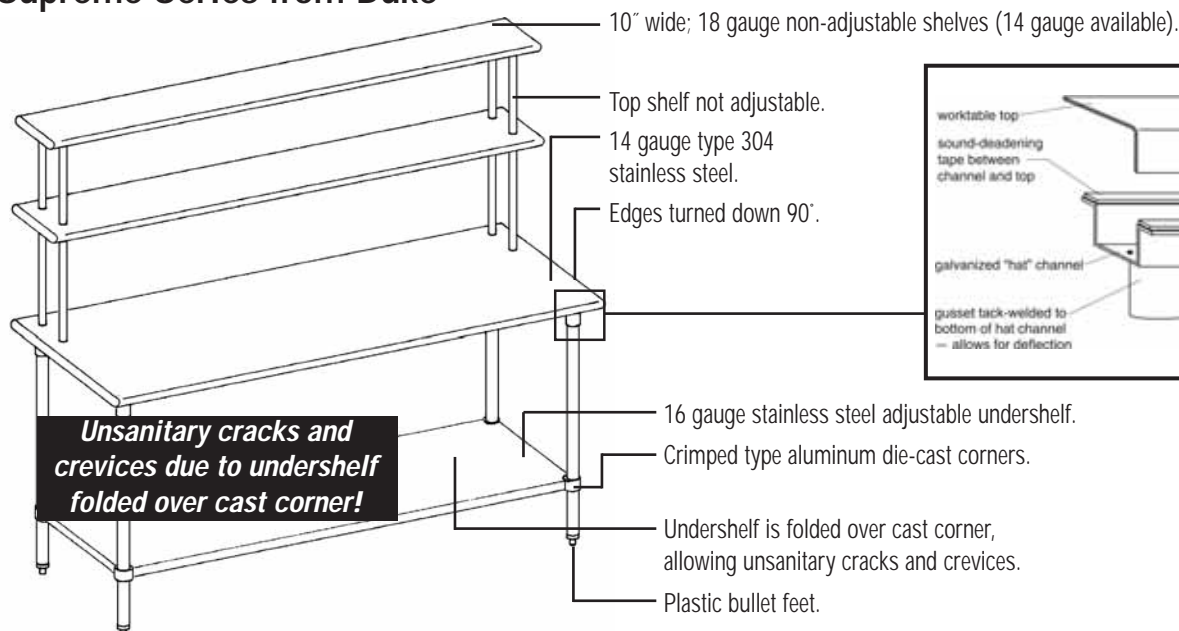


Other features:

- Stainless steel adjustable bullet feet.
- A variety of casters are available: zinc-plated with resilient or poly tread, polymer cart-washable casters with polymer tread, or stainless steel casters.
- All tables are prepunched for installation of drawer assemblies. Attachment bolts included.

Compare other tables to EAGLE GROUP's SPEC-MASTER® tables.

Supreme Series from Duke



Compare side-by-side!

The Best Tables...

	EAGLE SPEC-MASTER® Series	Advance-Tabco Premium Series	Duke Supreme Series
Gusset assembly	Patented uni-lok® design	Gusset tack-welded to hat channel	Gusset tack-welded to hat channel
Tabletop	14 gauge type 304 stainless steel	14 gauge type 304 stainless steel	14 gauge type 304 stainless steel
Undershelf	Type 304 stainless steel, adjustable, NSF-approved	18 gauge type 430, adjustable	Stainless steel, adjustable
Prepunched for drawers	Yes	No	No
Hat channels	(All hat channels are type 304 stainless steel) Two channels on tables up to 60", Three on tables over 60"-long	(All hat channels are galvanized) Only two channels except on 36"-wide tables	(All hat channels are galvanized) Only two channels except on tables 96" and longer
Legs	Type 304 stainless steel with adjustable stainless steel feet	Type 430 stainless steel with adjustable metal feet	Stainless steel legs with plastic feet

The Basic Tables...

	EAGLE Budget Series	Advance-Tabco Super Saver Series	Duke Economy Series
Gusset assembly	Patented uni-lok® design	Gusset tack-welded to hat channel	Gusset tack-welded to hat channel
Tabletop	16 gauge stainless steel	18 gauge stainless steel	18 gauge stainless steel
Tabletop edges	All edges finished	Hemmed to eliminate finishing	All edges finished
Prepunched for drawers	Yes	No	No
Hat channels	Two channels on tables up to 60", Three on tables over 60"-long	Only two channels except on 36"-wide tables	Only two channels on Economy table
Legs	Type 304 stainless steel	Type 400 stainless steel	Galvanized legs — no optional stainless steel legs available for this line

Adjustable Overshelf Options...

	EAGLE FLEX-MASTER® Overshelf System	Advance-Tabco Overshelves	Duke Overshelves
Fully adjustable without tools	Yes	Must use tools to adjust	Top shelf not adjustable
Easy to retrofit and field-install —all tables pre-marked for installation	Yes	Tables not pre-marked for field installation	Tables not pre-marked for field installation
16 gauge 430 series or 304 series shelves are standard	Yes	Shelves only available in 18 gauge 430 series	18 gauge and 14 gauge available
Can intermix 10" and 12"-wide shelves	Yes	Cannot intermix shelf widths	Cannot intermix shelf widths

Our customers have told us that the adjustability of the FLEX-MASTER® system allows them to add mixed-width shelves, and to vary the shelf height for clearance of slicer guide arms. FLEX-MASTER® shelves not only allow them to accurately position heat lamps, but to easily adjust shelf and lamp height for various product applications. These benefits are not available with stationary overshelves — only FLEX-MASTER® gives you this type of flexibility.

Table Accessories

In addition to FLEX-MASTER®, a number of options are available for EAGLE GROUP tables. For more information about options and accessories, consult our Price List or check out our web site at www.eaglegrp.com.

- Caster
- Spice Bin
- Extra Undershelves
- Fixed Overshelves more...



caster



drawer assembly



spice bin



pan/pot rack

Our uniqueness is standard.

All of these unique features of the EAGLE GROUP worktable and FLEX-MASTER® overshelf system offer benefits that are unmatched in our marketplace. By specifying any or all of them, you design a specification that is unique in style, strength, and flexibility. All of these features and benefits are standard on every table from the EAGLE GROUP product line. EAGLE GROUP is focused on being the price/value leader in the industry by giving the customer the best quality equipment available for the dollars they spend. Style, design, strength and flexibility are the keys to separating the EAGLE GROUP table from all of the "me-too's" on the market today.



Quality

Value

Reliability

Profit from the EAGLE Advantage®

Corporate Headquarters • 100 Industrial Boulevard
Clayton, DE 19938-8903
• Phone: (302) 653-3000

Foodservice/ SpecFAB® Divisions • Phone: (800) 441-8440
• Fax: (302) 653-2065

Material Handling Division • Phone: (800) 637-5100
• Fax: (302) 653-2065

www.eaglegrp.com



© 2009 EAGLE GROUP. FLEX-MASTER®, SPEC-MASTER®, and uni-lok® are registered trademarks of EAGLE GROUP. Although every attempt has been made to ensure the accuracy of the data in this publication, we cannot be responsible for printing or typographical errors or omissions. Due to an ongoing product improvement program, specifications, dimensions and prices are subject to change without notice.