



Profit from the Eagle Advantage®

# Specification Sheet

## Short Form Specifications

Eagle LIFETIME Series Enclosed Pan rack, model \_\_\_\_\_. Constructed of heavy duty 6063-T5 aluminum alloy. Fully welded construction includes top and interior bracing with bottom frame. Side panels welded to uprights, top bracing and bottom frame. 1/2" wide angle slides, door is 1/8" thick aluminum mounted on four stainless steel hinges and 6" x 2" non-marking swivel plate casters. Lifetime guarantee against rust, corrosion, workmanship, and material defects.



LIFETIME Series enclosed pan rack

## Options / Accessories

- Corner bumpers
- Perimeter bumper
- Caster locks
- Open door latch

## EAGLE GROUP

100 Industrial Boulevard, Clayton, DE 19938-8903 USA  
 Phone: 302-653-3000 • 800-441-8440 • Fax: 302-653-2065  
[www.eaglegrp.com](http://www.eaglegrp.com)  
[www.eaglegrpnews.com](http://www.eaglegrpnews.com)  
[www.eaglemh.com](http://www.eaglemh.com)

For custom configuration or fabrication needs, contact our **SpecFAB® Division**.  
 Phone: 302-653-3000 • Fax: 302-653-2065 • e-mail: [quotes@eaglegrp.com](mailto:quotes@eaglegrp.com)

Item No.:	_____
Project No.:	_____
S.I.S. No.:	_____

# LIFETIME Series Enclosed Pan Racks

## MODELS:

- 1290PP
- 1290WDW
- 1292

## Design and Construction Features

- LIFETIME GUARANTEE against:
  - rust and corrosion
  - material defects and workmanship
- Very tough—built to withstand the wear and tear of truck and transport use.
- Accepts 18" x 26" (457 x 660mm) full-size bun pans or 13" x 18" (330 x 457mm) half-size bun pans.
- Constructed of heavy duty type 6063-T5 extruded aluminum alloy.
- Fully welded construction includes top bracing, interior bracing, and bottom frame.
- Side panels—welded to uprights, top bracing, and bottom frame—feature 1/2" (13mm)-wide angle slides.
- Door is constructed of 1/8" (3mm)-thick aluminum, and comes with four stainless steel hinges.
- Heavy duty base includes 6" x 2" (152 x 51mm) non-marking swivel plate casters.

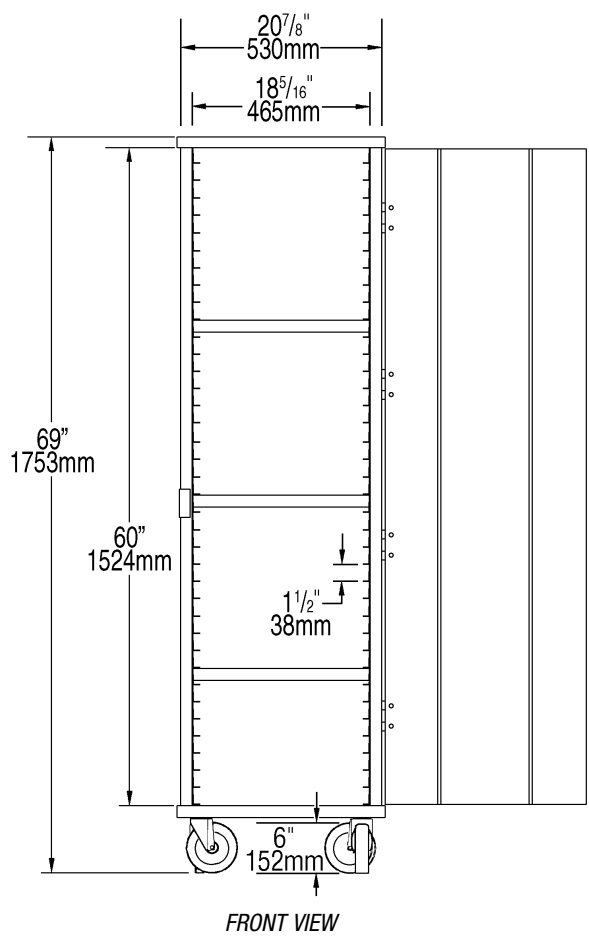


Spec sheets available for viewing, printing or downloading from our online literature library at our websites



Item No.: \_\_\_\_\_  
 Project No.: \_\_\_\_\_  
 S.I.S. No.: \_\_\_\_\_

# LIFETIME Series Enclosed Pan Racks



model #	overall dimensions			weight	slide spacing		18" x 26" pan capacity	type of 6" (152mm) caster
	width	depth	height		in.	mm		
<b>1290PP *</b>	20 7/8"	27 3/8"	69"	132 lbs.	59.9 kg	1 1/2"	38	polyolefin
<b>1290WDW</b>	20 7/8"	27 3/8"	69"	132 lbs.	59.9 kg	1 1/2"	38	K-urethane
<b>1292</b>	20 7/8"	27 3/8"	69"	132 lbs.	59.9 kg	1 1/2"	38	polyolefin

\* #1290PP "Prison Package" includes: (4) aluminum welded hinges; (4) 6" casters; (2) padlock holes in door; extra interior bracing; and tamper-proof screws and bolts.

**EAGLE GROUP**  
 100 Industrial Boulevard, Clayton, DE 19938-8903 USA  
 Phone: 302-653-3000 or 800-441-8440 • Fax: 302-653-2065  
 www.eaglegrp.com • www.eaglegrpnews.com • www.eaglehmc.com

Printed in U.S.A.  
 ©2023 by Eagle Group  
 Rev. 08/23

**Spec sheets available for viewing, printing or downloading from our online literature library at our websites**

Although every attempt has been made to ensure the accuracy of the information provided, we cannot be held responsible for typographical or printing errors. Information and specifications are subject to change without notice. Please confirm at time of order.