



Profit from the Eagle Advantage®

Specification Sheet

Short Form Specifications

Eagle Panco® Donut Rack, model ODR-2320-3. All-welded aluminum construction with 1" square tubular frame and supports, with six cross supports. 1¼" x 1½" extruded aluminum angle tray slides with two raised beads to minimize friction. 3" slide spacing accommodates (20) 23" x 23" donut screens. Furnished with 5"-diameter casters. Shipped assembled.



donut rack
model #ODR-2320-3

Options / Accessories

- Casters with locking brakes
- Perimeter bumper
- Vertical corner bumpers
- Pan stop

EAGLE GROUP

100 Industrial Boulevard, Clayton, DE 19938-8903 USA
 Phone: 302-653-3000 • 800-441-8440 • Fax: 302-653-2065
www.eaglegrp.com
www.eaglegrpnews.com
www.eaglemhc.com

For custom configuration or fabrication needs, contact our **SpecFAB® Division**.
 Phone: 302-653-3000 • Fax: 302-653-2065 • e-mail: quotes@eaglegrp.com

Item No.:	_____
Project No.:	_____
S.I.S. No.:	_____

Panco® Donut Rack

MODEL:

ODR-2320-3

Design and Construction Features

- Heavy duty all-aluminum welded construction.
- Frame and supports: 1" (25mm) square aluminum tubing. Six cross supports.
- Tray slides: extruded aluminum angle 1¼" high x 1½" wide x ¼" thick (32 x 42 x 2mm) bearing surface with raised beads providing a minimum of friction. Slides are riveted to frame 3" (76mm) apart.
- Casters: 5" (127mm)-diameter non-marking swivel plate casters with polymer tread.
- Shipped assembled.

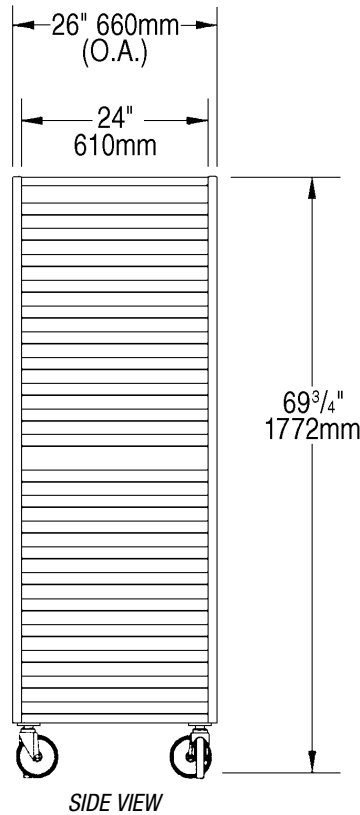
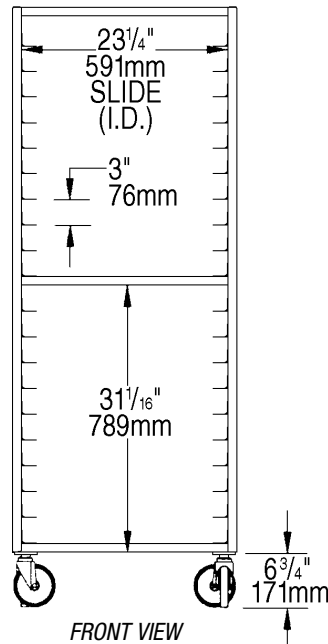
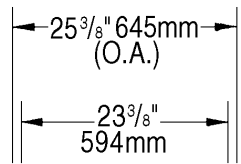
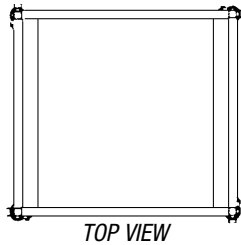


Spec sheets available for viewing, printing or downloading from our online literature library at our websites



Item No.: _____
 Project No.: _____
 S.I.S. No.: _____

Panco® Donut Rack



model #	overall dimensions						weight lbs. kg	sliding space		23" x 23" (584 x 584mm) donut screen cap.	
	width		depth		height			in.	mm		
ODR-2320-3	25 ³ / ₈ "	645	26"	660	69 ³ / ₄ "	1772	30	13.6	3"	76	20

EAGLE GROUP
 100 Industrial Boulevard, Clayton, DE 19938-8903 USA
 Phone: 302-653-3000 or 800-441-8440 • Fax: 302-653-2065
 www.eaglegrp.com • www.eaglegrpnews.com • www.eaglehmc.com

Printed in U.S.A.
 ©2022 by Eagle Group
 Rev. 12/22

Spec sheets available for viewing, printing or downloading from our online literature library at our websites

Although every attempt has been made to ensure the accuracy of the information provided, we cannot be held responsible for typographical or printing errors. Information and specifications are subject to change without notice. Please confirm at time of order.