



Profit from the Eagle Advantage®

Specification Sheet

Short Form Specifications

Eagle Panco® Half Size Mobile Can Rack, with aluminum top, model _____. All-welded aluminum construction, crossbraced front-to-back and side-to-side. Aluminum angle racks secured to frame at a slight angle to allow for gravity feed. Furnished with 5"-diameter casters. Capacity to be (54, 72) #10 cans or (72, 96) #5 cans.

Eagle Panco® Half Size Mobile Can Rack, with 1/2"-thick polymer top, model _____. All-welded aluminum construction crossbraced front-to-back and side-to-side. Aluminum angle racks secured to frame at a slight angle to allow for gravity feed. Furnished with 5"-diameter casters. Capacity to be (54, 72) #10 cans or (72, 96) #5 cans.



model #OCR-10-4A
can rack with
aluminum top

Options / Accessories

- Casters with locking brakes
- Perimeter bumpers
- Vertical corner bumpers

EAGLE GROUP

100 Industrial Boulevard, Clayton, DE 19938-8903 USA
 Phone: 302-653-3000 • 800-441-8440 • Fax: 302-653-2065
www.eaglegrp.com
www.eaglegrpnews.com
www.eaglegrp.com

For custom configuration or fabrication needs, contact our **SpecFAB® Division**.
 Phone: 302-653-3000 • Fax: 302-653-2065 • e-mail: quotes@eaglegrp.com

Item No.:	_____
Project No.:	_____
S.I.S. No.:	_____

Panco® Can Racks —Half Size

MODELS:

- OCR-10-3A
- OCR-10-4A
- OCR-10-3AP
- OCR-10-4AP

Design and Construction Features

- All-welded construction. All racks are constructed of high-strength aluminum sections.
- Frame and supports: square aluminum tubing. Crossbraced front-to-back and side-to-side on top and bottom of unit.
- Rack slides made from aluminum angles secured to frame at a slight angle for gravity feed.
- Casters: 5" (127mm)-diameter plate casters: two swivel with brake and two rigid casters.
- Offered with aluminum or 1/2" (13mm)-thick poly top.
- Provides automatic stock rotation when loaded from rear.
- Shipped assembled.



EG60.15B Rev. 10/23

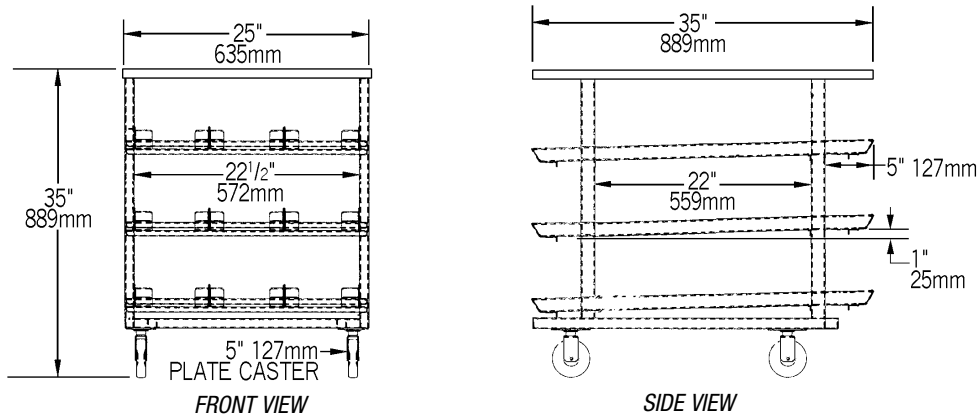
Spec sheets available for viewing, printing or downloading from our online literature library at our websites



Profit from the Eagle Advantage®

Item No.: _____
 Project No.: _____
 S.I.S. No.: _____

Panco® Can Racks—Half Size



(#OCR-10-3A SHOWN)

Racks with Aluminum Top

model #	description	overall dimensions						sliding space	can capacity		# of tiers high	weight		
		width in.	width mm	depth in.	depth mm	height in.	height mm		#10	#5		lbs.	kg	
OCR-10-3A	half size, mobile	25"	635	35"	889	35"	889	7 1/2"	191	54	72	3	57	25.9
OCR-10-4A	half size, mobile	25"	635	35"	889	41"	1041	7 1/2"	191	72	96	4	62	28.1

Racks with 1/2" (13mm)-thick Poly Top

model #	description	overall dimensions						sliding space	can capacity		# of tiers high	weight		
		width in.	width mm	depth in.	depth mm	height in.	height mm		#10	#5		lbs.	kg	
OCR-10-3AP	half size, mobile	25 1/2"	648	35 1/2"	892	35"	889	7 1/2"	191	54	72	3	51	23.1
OCR-10-4AP	half size, mobile	25 1/2"	648	35 1/2"	892	41"	1041	7 1/2"	191	72	96	4	62	28.1

EAGLE GROUP

100 Industrial Boulevard, Clayton, DE 19938-8903 USA

Phone: 302-653-3000 or 800-441-8440 • Fax: 302-653-2065

www.eaglegrp.com • www.eaglegrpnews.com • www.eaglehmc.com

Printed in U.S.A.
 ©2023 by Eagle Group

Rev. 10/23

Spec sheets available for viewing, printing or downloading from our online literature library at our websites

Although every attempt has been made to ensure the accuracy of the information provided, we cannot be held responsible for typographical or printing errors. Information and specifications are subject to change without notice. Please confirm at time of order.