



Profit from the Eagle Advantage®

Specification Sheet

Short Form Specifications

Eagle Panco® Platter Rack, model _____. All-welded aluminum construction with 1" square aluminum tubular frame and supports. 1 1/8" x 1 7/8" extruded aluminum angle slides with two raised beads to minimize friction. Will hold 10 1/2" or 12 1/2" platters, with capacity of 5, 6, 10, or 12 platters. Furnished with 5"-diameter casters. Shipped assembled.



platter rack

Options / Accessories

- Casters with locking brakes
- Vertical corner bumpers
- Pan stops

EAGLE GROUP

100 Industrial Boulevard, Clayton, DE 19938-8903 USA
 Phone: 302-653-3000 • 800-441-8440 • Fax: 302-653-2065
www.eaglegrp.com
www.eaglegrpnews.com
www.eaglemhc.com

For custom configuration or fabrication needs, contact our **SpecFAB® Division**.
 Phone: 302-653-3000 • Fax: 302-653-2065 • e-mail: quotes@eaglegrp.com

Item No.:	_____
Project No.:	_____
S.I.S. No.:	_____

Panco® Platter Racks

MODELS:

- | | |
|-------------------------------------|-------------------------------------|
| <input type="checkbox"/> OPL-10-5A | <input type="checkbox"/> OPL-12-10A |
| <input type="checkbox"/> OPL-10-6A | <input type="checkbox"/> OPL-12-12A |
| <input type="checkbox"/> OPL-10-10A | <input type="checkbox"/> DP1826-W |
| <input type="checkbox"/> OPL-10-12A | <input type="checkbox"/> PL1224 |
| <input type="checkbox"/> OPL-12-5A | <input type="checkbox"/> PL1230 |
| <input type="checkbox"/> OPL-12-6A | <input type="checkbox"/> PL1030 |

Design and Construction Features

- Heavy duty all-welded aluminum construction.
- Frame and supports: 1" (25mm) square aluminum tubing with .063" wall.
- Casters: 5" (127mm)-diameter non-marking swivel stem plated casters with polymer tread.
- Front load and side load models available.
- Tray slides: extruded aluminum angle 1 1/8" high x 1 7/8" wide x .068" thick (37 x 48 x 2mm) bearing surface with two raised beads providing a minimum of friction. Slides are riveted to frame.
- Shipped assembled.



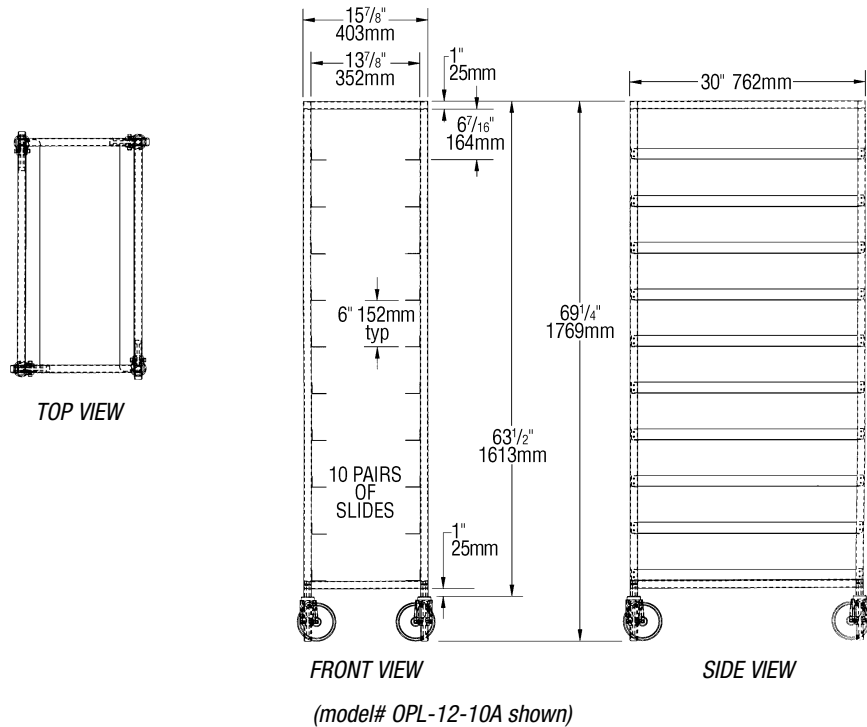
EG60.14 Rev. 01/23

Spec sheets available for viewing, printing or downloading from our online literature library at our websites



Item No.: _____
 Project No.: _____
 S.I.S. No.: _____

Panco® Platter Racks



model #	description	overall dimensions						sliding space		platter size		platter capacity	weight	
		width in.	width mm	depth in.	depth mm	height in.	height mm	in.	mm	in.	mm		lbs.	kg
OPL-10-5A	half size	13 7/8"	352	30"	762	38 3/4"	984	6"	152	10 1/2"	267	5	18	8.2
OPL-10-6A	half size	13 7/8"	352	30"	762	38 3/4"	984	5"	127	10 1/2"	267	6	18	8.2
OPL-10-10A	full size	13 7/8"	352	30"	762	69 1/4"	1759	6"	152	10 1/2"	267	10	26	11.8
OPL-10-12A	full size	13 7/8"	352	30"	762	69 1/4"	1759	5"	127	10 1/2"	267	12	27	11.8
OPL-12-5A	half size	15 7/8"	403	30"	762	38 3/4"	984	6"	152	12 1/2"	318	5	19	8.6
OPL-12-6A	half size	15 7/8"	403	30"	762	38 3/4"	984	5"	127	12 1/2"	318	6	19	8.6
OPL-12-10A	full size	15 7/8"	403	30"	762	69 1/4"	1759	6"	152	12 1/2"	318	10	28	12.7
OPL-12-12A	full size	15 7/8"	403	30"	762	69 1/4"	1759	5"	127	12 1/2"	318	12	28	12.7

Plastic Pans and Platters for Platter Racks

model #	description	overall dimensions					
		width in.	width mm	depth in.	depth mm	height in.	height mm
DP1826-W	white display pan	18"	457	26"	660	1 1/8"	29
PL1224	platter	12 1/2"	318	24"	610	3/4"	19
PL1230	platter	12 1/2"	318	30"	762	3/4"	19
PL1030	platter	10 1/2"	267	30"	762	3/4"	19

EAGLE GROUP

100 Industrial Boulevard, Clayton, DE 19938-8903 USA

Phone: 302-653-3000 or 800-441-8440 • Fax: 302-653-2065

www.eaglegrp.com • www.eaglegrpnews.com • www.eaglehmc.com

Printed in U.S.A.
 ©2023 by Eagle Group

Rev. 01/23

Spec sheets available for viewing, printing or downloading from our online literature library at our websites

Although every attempt has been made to ensure the accuracy of the information provided, we cannot be held responsible for typographical or printing errors. Information and specifications are subject to change without notice. Please confirm at time of order.