



Profit from the Eagle Advantage®

# Specification Sheet

## Short Form Specifications

Eagle Panco® Multiple Purpose Racks, model \_\_\_\_\_ . Extruded aluminum upright frame with angular keyhole slots on 2½" centers. Adjustable universal slides with special wide lip. Top and bottom slides are welded to uprights, remaining slides on 2½" centers. Furnished with 5"-diameter casters. Shipped assembled.



multiple purpose rack  
model #MPR-12

## Options / Accessories

- Casters with locking brakes
- Pan stops
- Rotary bumpers

## EAGLE GROUP

100 Industrial Boulevard, Clayton, DE 19938-8903 USA  
Phone: 302-653-3000 • Fax: 302-653-2065  
www.eaglegrp.com

Foodservice Division: Phone 800-441-8440

MHC/Retail Display Divisions: Phone 800-637-5100

For custom configuration or fabrication needs, contact our SpecFAB® Division.  
Phone: 302-653-3000 • Fax: 302-653-2065 • e-mail: quotes@eaglegrp.com

Item No.:	_____
Project No.:	_____
S.I.S. No.:	_____

# Panco® Multiple Purpose Racks

## MODELS:

- MPR-10
- MPR-12

## Design and Construction Features

- Frame: 0.100" (3mm) extruded aluminum uprights with angular keyhole slots on 2½" (64mm) centers, to accept slides 0.100" (3mm) aluminum channel across top and bottom, all-welded construction.
- Slides: 0.100" (3mm) aluminum, formed with special wide lip and supplied with shoulder rivet, for connection in keyhole slots. Top and bottom slides are welded to uprights (non-removable), remaining slides are adjustable on 2½" (64mm) centers.
- Casters: 5" (127mm)-diameter NSF-approved, non-marking rubber tired wheels on swivel stem plated casters.
- Shipped assembled.

## Certifications / Approvals



## AUTOQUOTES



EG60.10 Rev. 10/14

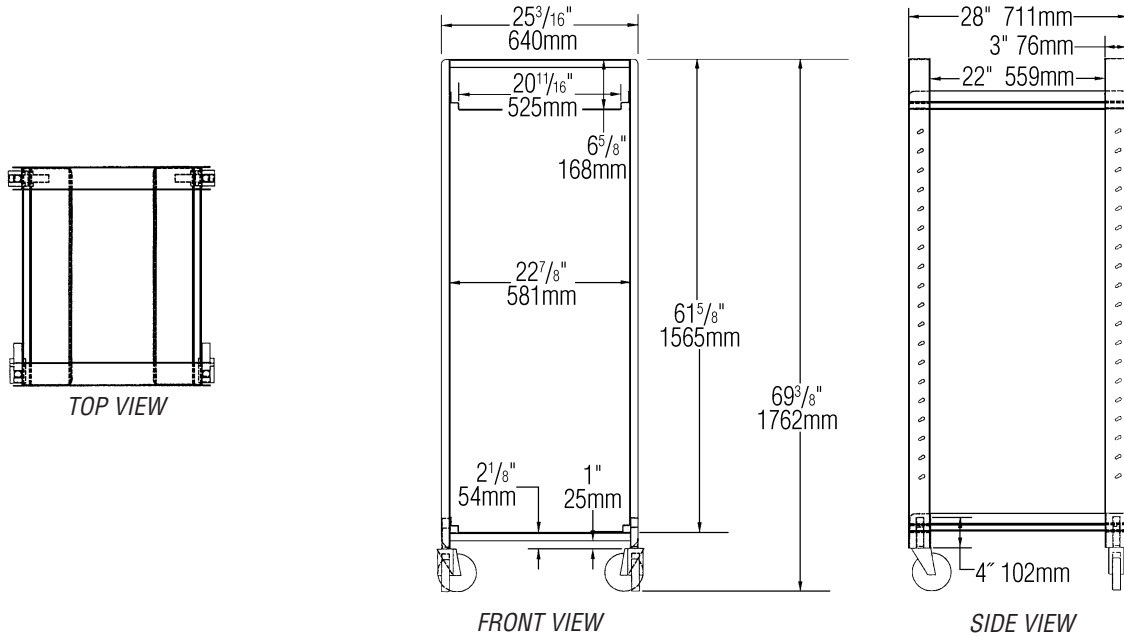
Spec sheets available for viewing, printing or downloading from our online literature library at [www.eaglegrp.com](http://www.eaglegrp.com)

Eagle Foodservice Equipment, Eagle MHC, SpecFAB®, and Retail Display are divisions of Eagle Group. ©2014 by the Eagle Group



Item No.: \_\_\_\_\_  
 Project No.: \_\_\_\_\_  
 S.I.S. No.: \_\_\_\_\_

# Panco® Multiple Purpose Racks



(model #MPR-12 shown)

model #	overall dimensions						weight		universal slides supplied
	width		depth		height		lbs.	kg	
	in.	mm	in.	mm	in.	mm			
<b>MPR-10</b>	25 <sup>3</sup> / <sub>16</sub> "	640	28"	711	69 <sup>5</sup> / <sub>8</sub> "	1762	71	32.2	10 sets
<b>MPR-12</b>	25 <sup>3</sup> / <sub>16</sub> "	640	28"	711	69 <sup>5</sup> / <sub>8</sub> "	1762	81	36.7	12 sets

Pan/Tray Sizes for Multiple Purpose Racks					
width x depth			width x depth		
in.	mm		in.	mm	
10 <sup>7</sup> / <sub>8</sub> "	x	276	19 <sup>3</sup> / <sub>4</sub> "	x	502
11 <sup>7</sup> / <sub>8</sub> "	x	20"	302	x	508
12"	x	20"	305	x	508
12"	x	18"	305	x	457
14"	x	18"	305	x	457
15"	x	20"	381	x	508
20"	x	20"	508	x	508
22 <sup>1</sup> / <sub>2</sub> "	x	20 <sup>1</sup> / <sub>2</sub> "	571	x	521
20"	x	22"	508	x	559
18"	x	26"	457	x	660
18"	x	13"	457	x	330

**EAGLE GROUP**  
 100 Industrial Boulevard, Clayton, DE 19938-8903 USA  
 Phone: 302-653-3000 • Fax: 302-653-2065  
 www.eaglegrp.com

Foodservice Division: Phone 800-441-8440  
 MHC/Retail Display Divisions: Phone 800-637-5100

Printed in U.S.A.  
 ©2014 by Eagle Group  
 Rev. 10/14

Spec sheets available for viewing, printing or downloading from our online literature library at [www.eaglegrp.com](http://www.eaglegrp.com)

Although every attempt has been made to ensure the accuracy of the information provided, we cannot be held responsible for typographical or printing errors. Information and specifications are subject to change without notice. Please confirm at time of order.