



Profit from the Eagle Advantage®

Specification Sheet

Short Form Specifications

Eagle Panco® Four-Compartment Tray Rack, model _____ . Constructed of 1" square aluminum tubing top and vertical frame. Bottom frame to be 1" x 2" aluminum rectangular tubing, all welded. Tray slides to be 1 7/16" x 1 7/8" with two raised beads for a minimum of friction. Slide spacing to be 4 1/2" to accommodate 52 trays. Furnished with 5"-diameter casters. Shipped assembled with center tray stop.



four-compartment rack
model #OUR-1452-4

Options / Accessories

- Casters with locking brakes
- Rotary donut bumpers
- Perimeter bumpers
- Vertical corner bumpers

EAGLE GROUP

100 Industrial Boulevard, Clayton, DE 19938-8903 USA
 Phone: 302-653-3000 • 800-441-8440 • Fax: 302-653-2065
www.eaglegrp.com
www.eaglegrpnews.com
www.eaglemhc.com

For custom configuration or fabrication needs, contact our **SpecFAB® Division**.
 Phone: 302-653-3000 • Fax: 302-653-2065 • e-mail: quotes@eaglegrp.com

Item No.:	_____
Project No.:	_____
S.I.S. No.:	_____

Panco® Four-Compartment Racks

MODELS:

- OUR-1452-4
- OUR-1052-4-A
- OUR-1052-4-B

Features on All Four-Compartment Racks

- Top and vertical frame and support: 1" (25mm) square aluminum tubing with 0.063"-thick wall.
- Bottom frame: 1" x 2" (25 x 51mm) thick aluminum rectangular tubing, all-welded construction.
- Tray slides: Extruded aluminum angle 1 7/16" high x 1 7/8" x 0.068" thick (189 x 48 x 2mm). Bearing surface with two raised beads, providing a minimum of friction. Slides are riveted to frame.
- Casters: 5" (127mm)-diameter NSF-approved, non-marking rubber tired wheels on swivel stem casters.



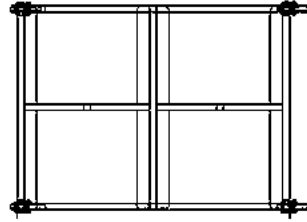
EG60.06B Rev. 08/23

Spec sheets available for viewing, printing or downloading from our online literature library at our websites

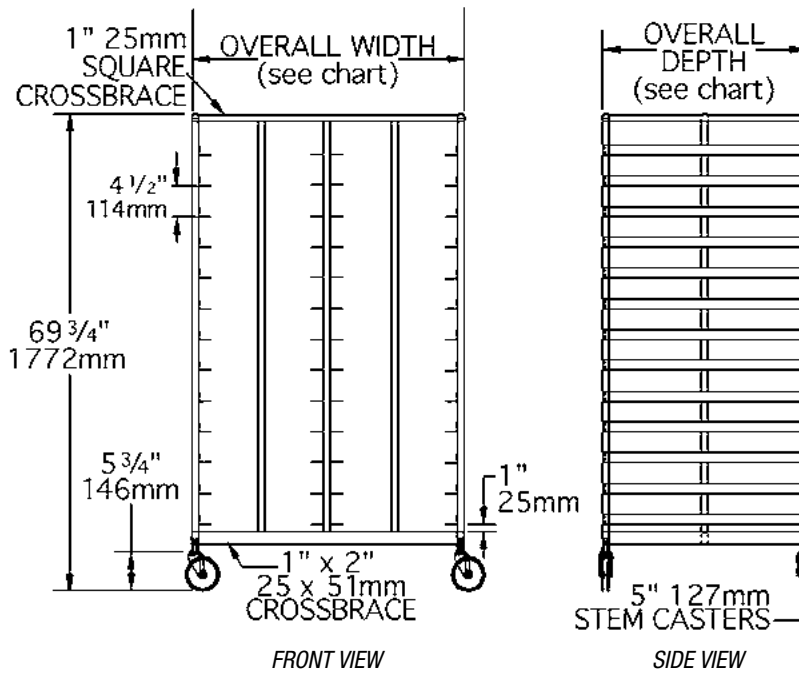


Item No.: _____
 Project No.: _____
 S.I.S. No.: _____

Panco® Four-Compartment Racks



TOP VIEW



(model #OUR-1452-4 shown)

model #	overall dimensions						sliding space		tray capacity		weight	
	width in.	width mm	depth in.	depth mm	height in.	height mm	in.	mm	tray size	qty	lbs.	kg
OUR-1452-4	40"	1016	30"	762	69 3/4"	1772	4 1/2"	114	14" x 18"	52	154	69.9
OUR-1052-4-A	32"	813	22"	559	69 3/4"	1772	4 1/2"	114	10" x 14"	52	100	45.4
OUR-1052-4-B	34 3/4"	883	24 1/2"	622	68 5/8"	1743	4 1/2"	114	10" x 14 1/2"	52	100	45.4

EAGLE GROUP
 100 Industrial Boulevard, Clayton, DE 19938-8903 USA
 Phone: 302-653-3000 or 800-441-8440 • Fax: 302-653-2065
 www.eaglegrp.com • www.eaglegrpnews.com • www.eaglehmc.com

Printed in U.S.A.
 ©2023 by Eagle Group

Rev. 08/23

Spec sheets available for viewing, printing or downloading from our online literature library at our websites

Although every attempt has been made to ensure the accuracy of the information provided, we cannot be held responsible for typographical or printing errors. Information and specifications are subject to change without notice. Please confirm at time of order.